

Bushnell®



CORE™

CORE™ DS
DUAL SENSOR
THE DIFFERENCE IS NIGHT AND DAY

INSTRUCTION MANUAL

Model #: 119936C / 119938C / 119975C / 119977C

English / Anglais / Inglés / Inglese / Engels

Quick Start Guide (119936C/119938C/119975C/119977C)

For full instruction manual go to: www.bushnell.com

To get Started using your Bushnell Trail Camera:

1. Install 6 AA batteries (lithium* or alkaline) and SD card (up to 512GB max.)
*lithium batteries are recommended
2. At the location you will place the camera, power it on.
3. Mount the camera using the tree strap.
4. Your camera is now ready to use at its default settings: photo mode, 10 sec interval between photos, 3MP resolution.
5. The default settings can be changed to your preferences (for example, if you would rather capture videos, or photos at a different resolution, spaced further apart) using the display on the camera?

(see full manual at www.bushnell.com for more details)

Customer Service: 800-423-3537

www.bushnell.com

IMPORTANT NOTE

Congratulations on your purchase of one of the best trail cameras on the market! Bushnell is very proud of this camera and we are sure you will be pleased with it as well. We appreciate your business and want to earn your trust. Please refer to the notes below and the instructions in this manual to ensure that you are completely satisfied with this product.

If your Bushnell Core Trail Camera does not seem to be functioning properly or if you are having photo/video quality issues, **please check the Troubleshooting/FAQ section on pages 21-24.**

Problems are often due to something simple that was overlooked, or require only changing one setting to solve.

If your problem continues after trying the solutions in the Troubleshooting/FAQ section, **please call Bushnell Customer Service at (800) 423-3537.** In Canada, call (800) 361-5702.

Do not mix old and new batteries

Do not mix battery types-use ALL lithium or ALL alkaline.

Bushnell recommends using SanDisk® class 6 or faster SDHC Cards (up to 32GB capacity) in your Core Trail Camera.

INTRODUCTION

About the Core Trail Camera

The Bushnell **Core Trail Camera** is a digital scouting camera. It can be triggered by any movement of game in a location, detected by a highly sensitive Passive Infra-Red (PIR) motion sensor, and then take high quality pictures (up to 24MP or 30MP still photos), or video clips.

The **Core Trail Camera** consumes very little power (less than 0.08 mA) in a stand-by (surveillance) state. This means it can deliver up to six months stand-by operation time when the device is powered by the full capacity of AA alkaline batteries, and up to twelve months utilizing lithium AA batteries. Once motion in the monitored area is detected, the digital camera unit will be triggered at once (typically within half a second) and then automatically take photos or videos according to previously programmed settings. The **Core Trail Camera** is equipped with built-in infrared LEDs that function as a flash, so that it delivers clear photos or videos (in black & white) even in the dark, and it can take color photos or videos under sufficient daylight. The **Core Trail Camera** is designed for outdoor use and is resistant against water and snow.

Your trail camera is one of the latest generation of Bushnell **Core Trail Camera**.

Core Trail Cameras, and includes many new or improved features, including:

- **Dual Sensor (119975C/119977C only)** – the camera has dual sensors in order to capture the best quality images for both day and night.
- **Auto PIR Sensitivity** - the camera monitors ambient temperature conditions and automatically adjusts the sensor/trigger signal to be more sensitive to slight variations in temperature on hot days, less sensitive on cold days.
- **Removable Battery Tray** – replaceable battery tray in order to easily exchange your batteries quickly. Built in latch in order to catch the tray from falling out of the camera.
- **GPS Geotag Capability** - allows the user to input the longitude and latitude of the camera's position, which will be embedded in each photo file. This enables Google Earth, Picassa and other geotag enabled software to automatically show a map pinpointing each camera's location when a group of photos are reviewed on a computer. Especially useful for those who setup multiple **Core Trail Camera s** to monitor large or widely separated areas.
- **Multi Flash Mode (LED Control)** - prevents overexposed flash photos at close range.
- **Hybrid Capture Mode** - allows both still photos and videos to be captured at each trigger, up to highest resolution settings for each.
- **NV Shutter** - user can select shutter speed for images captured at night allowing control over brightness vs. ability to stop motion.
- **Camera Operating Mode** can be limited to Day only, Night only, or 24 HRs
- **Preset Modes** for Feeder, Trail and Food Plot applications.
- **Dynamic Video** mode uses the duration of animal activity to determine the length of the captured file, so your video doesn't stop right as things get interesting.

And many more features such as video with audio, 0.2 second trigger speed and 0.6 second recover time (still photos), widescreen or fullscreen format still photos, imprintable camera name (user set) along with current data including temperature and moon phase.

Applications

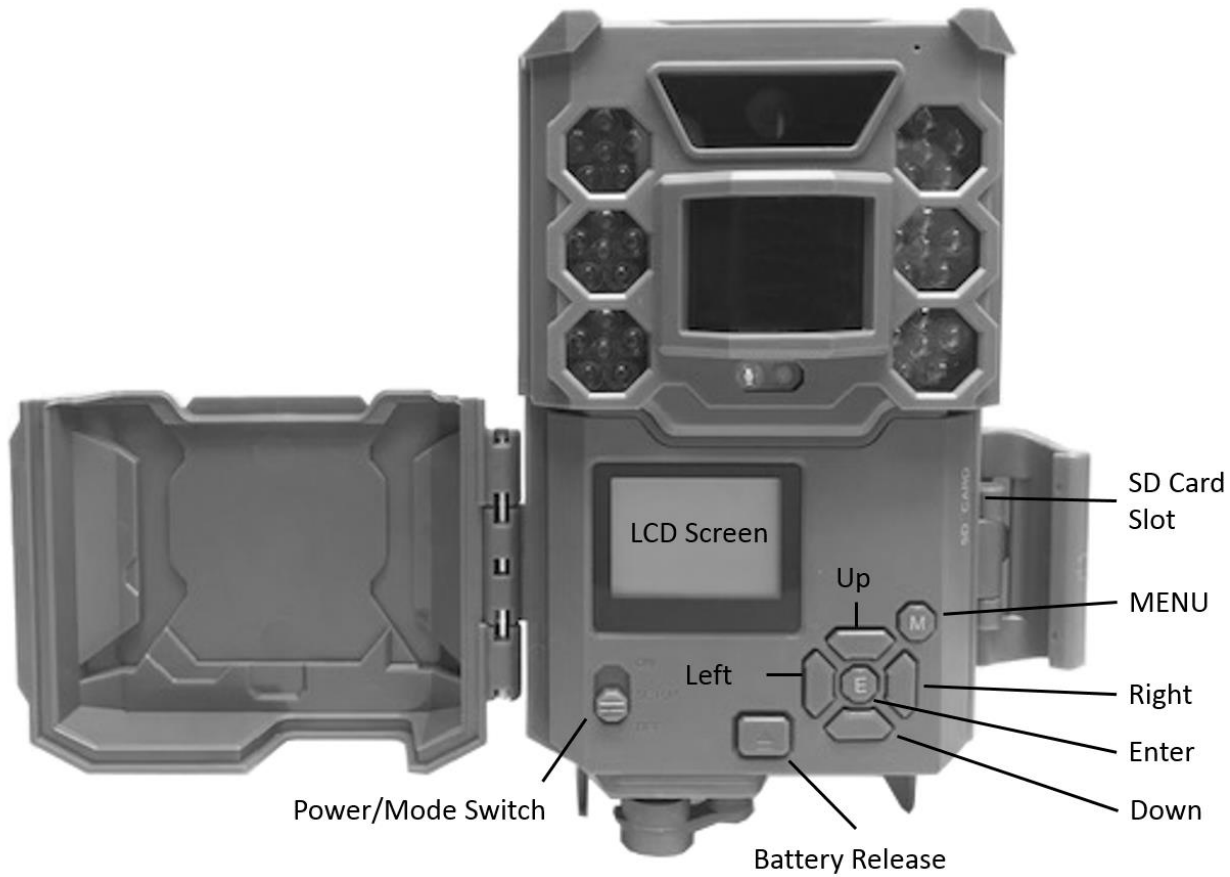
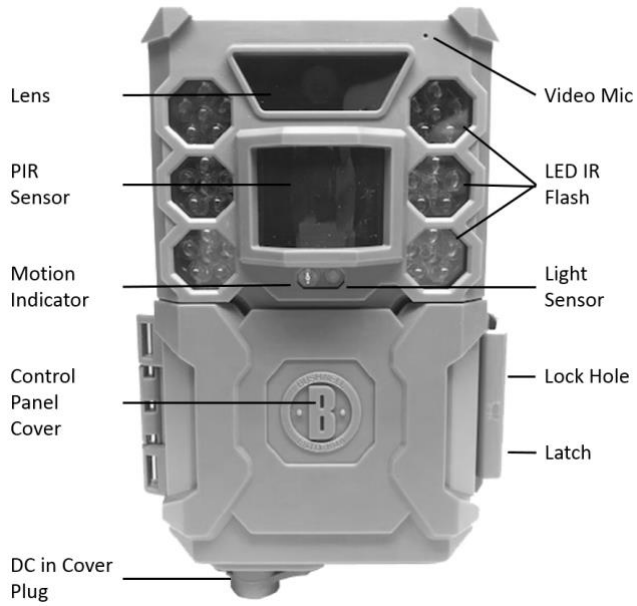
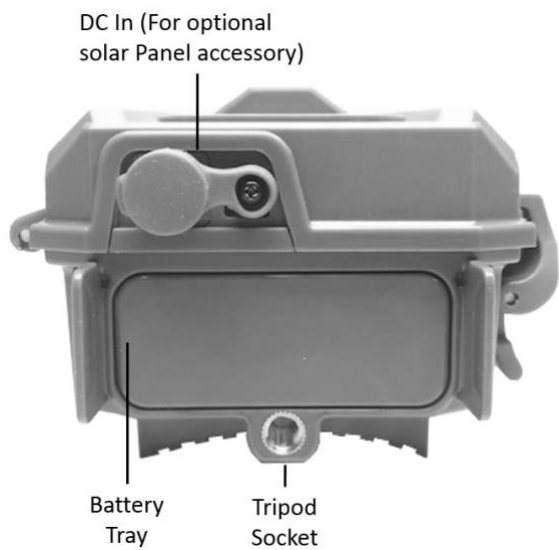
The **Core Trail Camera** can be used as a trail camera for hunting or scouting game. It is also suitable for surveillance usage.

PARTS AND CONTROLS

The **Core Trail Camera** provides the following connections for external devices: USB port, SD card slot and external DC power in (*pg 6, Fig. 1*).

A 3-way power switch is used to select the main operating modes: **OFF**, **SETUP**, and **ON** (*pg 6, Fig. 2*).

A D-Pad interface with five keys is primarily used in **SETUP** mode to select operational functions and parameters. As shown on the next page, these keys are: UP, DOWN, LEFT, RIGHT, OK and ENTER. Three of the keys can also perform a second function (shortcut operations in **SETUP** mode) in addition to their main function: The DOWN key can be used to set the camera to Photo mode (still camera icon), and the UP key can set the camera to Video mode (movie camera icon). The RIGHT key also serves as the manual shutter ("SHOT") button of the camera. These secondary functions are indicated by icons or text above the key as shown on the next page.



INSTALLING THE BATTERIES AND SD CARD

Before you begin learning how to use your **Core Trail Camera**, you will first need to install a set of batteries and insert an SD card. Although that may only take you a minute, there are some important notes about both batteries and SD cards you should be aware of, so please take the time to read the following directions and cautions:

Loading Batteries

After opening the latch on the right side of the Core Trail Camera, you will see that the **Core Trail Camera** has a battery release button. Depress this button and a battery tray will drop out of the bottom of the camera. The battery tray will stop about ½ inch out of the device, this is a latch system to prevent the tray from dropping onto the ground. Just apply a little pressure when pulling and the tray will release. The battery tray has six battery slots. Install a full set of 6 batteries. Be sure to insert each battery with correct polarity (negative or “flat” end against the long spring of each battery slot).

Bushnell recommends using a full set of new lithium AA (Energizer® brand) or alkaline AA batteries. NiMh Rechargeable batteries are not recommended, as the lower voltage they produce can cause operational issues.



You can also connect an optional Solar Panel accessory (*model# 119756C –please visit www.bushnell.com for more information*) to the “DC In” jack at the bottom of the **Core Trail Camera** (*other external power supplies should not be used, as the camera and/or display may not function correctly*). If the solar panel is connected and AA batteries are installed, the **Core Trail Camera** will be powered by the solar panel's rechargeable lith-ion battery, as long as it provides adequate voltage (if not, the camera will switch to battery power). The solar panel's battery will power the camera at night.

Inserting the SD Card

Insert the SD card (with the camera's power switch in the **OFF** position) before beginning to operate the camera. Don't insert or remove the SD card when the power switch is in the **ON** position.

The **Core Trail Camera** uses a standard SD (Secure Digital) memory card to save photos (in .jpg format) and/or videos (in .mp4 format). SD and SDHC (High Capacity) cards up to a maximum 32GB capacity are supported. Using high speed SD cards (SanDisk® SDHC rated class 6 or higher) is recommended if you will use the 1280x720 or 1920x1080 video settings. Before inserting the SD card into the card slot after

opening the camera's front cover, please make sure that the write-protect switch on the side of the card is "off" (NOT in the "Lock" position). The following describes how to insert and remove the SD card:

- Insert the SD card into the card slot with its label side upwards (see *below*). A "click" sound indicates that the card is installed successfully. If the wrong side of the card is facing up, you will not be able to insert it without force—there is only one correct way to insert cards. If the SD card is not installed correctly, the device will not display an SD card icon on the LCD in SETUP mode (*the SD card icon displayed after switching to SETUP mode will have a "lock" symbol inside it in it if the card is locked*). Formatting the SD card by using the **Core Trail Camera** "Format" parameter before using it for the first time is recommended, especially when a card has been used in other devices (see page 23, "Format" for details).
- To take out the SD card, just gently push in the card (do not try to pull it out without pushing in first). The card is released from the slot and ready to be removed when you hear the click.
WARNING: Be sure the camera's power is switched OFF before inserting or removing SD cards or batteries.



USING THE Core Trail Camera

Once you've prepared your **Core Trail Camera** by properly installing batteries and an SD card, you could simply take it outside, strap it to a tree, switch it on and leave—and you might get some great photos that are exactly what you wanted.

However, we highly recommend that you first spend some additional time indoors with this manual and your camera until you know a bit more about what the 3-way switch and directional keys do. If nothing else, you'll probably want to at least set the date and time so the camera will imprint them (or not—it's your option) on your photos as they are taken, learn how to set the camera to shoot video clips instead of still photos if you like, and read some tips about mounting it on a tree.

THE OFF, ON, AND SETUP MODES

The **Core Trail Camera** has three basic operational modes:

- **OFF** mode: Power switch in the **OFF** position.
- **ON** mode: Power switch in the **ON** position (LCD screen is off.)
- **SETUP** mode: Power switch at **SETUP** position (LCD screen is on).

OFF MODE

The **OFF** mode is the “safe” mode when any actions must be taken, e.g., replacing the SD card or batteries, or transporting the device. You will also use **OFF** mode if you connect the camera to a computer’s USB port later to download your photos/ videos. And of course, when you are storing or not using the camera, you will switch it to **OFF**. Please note that even in the **OFF** mode the **Core Trail Camera** still consumes power at a very low level. Therefore, it’s a good idea to take the batteries out of the battery compartment if the camera will not be used for a long time.

ON MODE

Anytime after the batteries and SD card have been inserted, you can switch on the camera. When the power switch is moved to the top position, the camera will enter into the **ON** (Live) mode. The motion indicator LED (pg. 6, “Front View”) will blink red for about 10 seconds. This interval allows time for you to close the **Core Trail Camera’s** front cover, lock it, and leave the monitored area. Once in the **ON** mode, no manual controls are needed or possible (the control keys have no effect). The **Core Trail Camera** will take photos or videos automatically (according to its current parameter settings) when it is triggered by the PIR sensor’s detection of activity in the area it covers.

You can either move the power switch directly from OFF to ON mode, or stop at the SETUP position first to change one or more settings, then move the switch to ON after you have finished doing so.

SETUP MODE

In the **SETUP** mode you can check and change the settings of the **Core Trail Camera’s** with the help of its built-in LCD. These settings, found in the SETUP Menu, let you change the photo or video resolution, interval between photos, switch the time imprint on, etc. Moving the power switch to the **SETUP** position will turn on the LCD display, and you will see an information screen that shows how many images have been taken, the battery level, camera or video mode, etc (Fig. 3, next page).

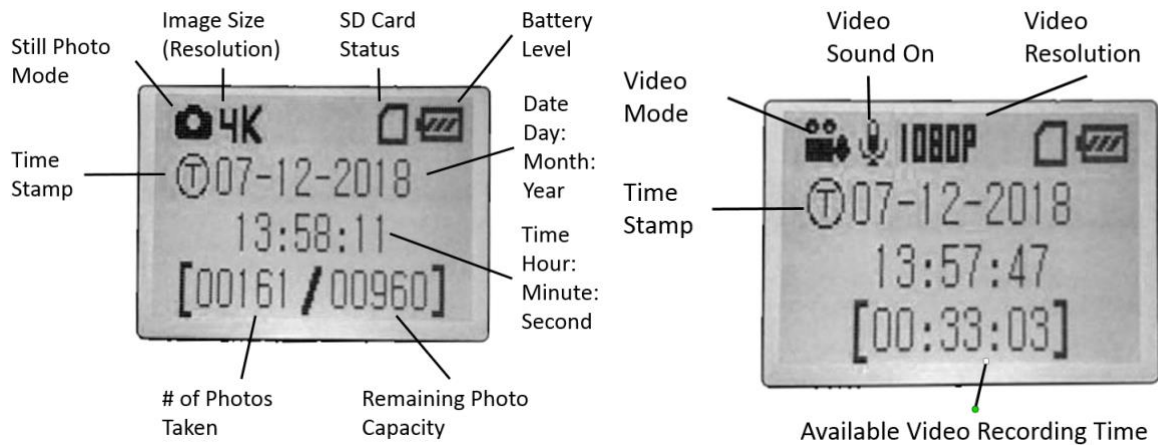
NOTE: Always move the power switch from **OFF** to **SETUP** mode. It is possible that the camera could lockup if it is switched from **ON** to **SETUP** mode. If this occurs, simply move the switch to **OFF** and then push it up to **SETUP** again.

SETUP Mode Shortcut Keys/Functions

As mentioned earlier in “Parts & Controls”, four of the directional keys beside the LCD have secondary, “shortcut” functions when the camera is switched to **SETUP** mode (but the **MENU** key has not been pressed):

- Press the **UP** key to quickly set the camera to shoot video clips.
- Press the **DOWN** key to quickly set the camera to take still photos.
- Press the **RIGHT** key to manually trigger the shutter. This is useful for testing the camera-make sure you are in **SETUP** mode, press the **RIGHT** key, and a few seconds later a photo or video (depending on how the camera was set) will be saved to the SD card (or internal memory if no card is inserted). The “number of images taken” counter on the bottom left of the LCD will increase by one. If the display indicates “SD LOCKED” when you press the SHOT key, switch the camera OFF, remove the SD card and slide its lock switch off.

Fig. 3: SETUP Information Screen (119936C/119938C)



USING THE SETUP MENU TO CHANGE SETTINGS

The main purpose of the **SETUP** mode is to allow you to change the settings of the camera's parameters (*available parameters vary with use of Presets-see pg. 18 for more details*) so your **Core Trail Camera** operates exactly the way you want it to. You will do this by entering the **SETUP** Menu and pressing the keys beside the LCD display, which will show you each parameter and its setting.

Changing Parameter Settings in SETUP Mode

A wide range of options or "parameters" are provided to allow you to set the **Core Trail Camera** to your operational preferences. To change the setting of any parameter you must first switch to the **SETUP** mode. Once in **SETUP** mode, pressing the **MENU** button will allow you to select any parameter and change its setting. The name of the parameter and its current setting will be shown on the LCD. Pressing the **RIGHT** or **LEFT** key scrolls to the next or previous parameter (**RIGHT** key to move on to the next parameter and **LEFT** key to go back to the previous parameter), and pressing the **UP** or **DOWN** key lets you select a different setting for the currently displayed parameter. Once you have selected your preferred new setting for a parameter, press the **ENTER** button to save the new setting (actually change it). When you are finished changing the settings of one or more parameters, press **MENU** again to exit the **SETUP** menu. **MENU** can also be pressed anytime you want to cancel changing a parameter's setting after a new setting has been selected (but **OK** has not been pressed yet). After setting the parameters to your preferences, be sure to move the switch to **ON** to begin actually taking photos or videos. No images will be captured if the switch is left in the **SETUP** position (*unless you press the **RIGHT/Shot** key after exiting the menu*)-in fact, the camera will power off automatically after a few minutes with no key pressed.

Parameter Settings Display

The settings for each parameter are shown on the display screen of your **Core Trail Camera**. Only one setting is displayed at a time, starting with the current setting for the parameter when it is first selected (*pg. 13, Fig. 4a*). To change the setting, use the **UP/DOWN** keys to display the new setting you want (*Fig. 4b*), then press **ENTER** to "Execute" (make the actual change to this setting). If you want to confirm this setting is now the current one, just press the **RIGHT** key to scroll to the next parameter, then press **LEFT** to go back again to the previous one. You should see the parameter setting you just made.

Fig. 4 Selecting Parameter Settings

Press Menu



(4A)

Press Down



(4B)

Press OK

EXAMPLES-Changing the Settings of Some Common Parameters

Following this page, you will find tables listing all of the parameters found in the **SETUP** Menu, along with their possible settings (or range of settings), and a detailed description of what the parameter controls and what the settings do. If you read the previous section detailing how to select parameters and change their settings, you should be able to dive right in, find the parameter(s) you want, and setup the camera to suit your preferences. But maybe you'd rather walk through an example or two first:

To change any parameter's setting, always start with the power switch in the **SETUP** position. After the LCD comes on, press the **MENU** key.

The first parameter you will see when you enter the **SETUP** Menu is "Set Clock". As the Time Stamp feature is "On" by default, the camera will normally imprint the date and time on each photo or video, based on your settings here. Press **ENTER** and use the **UP/DOWN** keys to set the hour (24-hr format, "00"=midnight, "12"=noon), then press the **RIGHT** key move to the minute field and set it (again using **UP/DOWN**). Press **RIGHT** to move to the lower row and set the year, month and date using the same method. When finished, press the **ENTER** key to confirm the new time and date settings you made.

Now press the **RIGHT** key one time to move to another parameter in the Menu. The parameter you will see is "Mode". To change it from its default setting of "Camera" (still photos) to "Video" (shoot video

clips), press the **DOWN** key to select the “Video” setting. Press the **ENTER** key to “Execute” (Set) the new setting you’ve selected for this parameter.

Now press the **RIGHT** key to move to another parameter in the Menu. Pressing it three times will take you to “Video Size”. Try using the **UP** and **DOWN** keys to scroll through the range of settings, then press **ENTER** to lock in your setting for the resolution of each video clip the camera shoots.

Pressing the **RIGHT** key several more times will get you to the “Default Set” parameter. Highlight or select “Execute” (using **UP** or **DOWN**) and press **ENTER** to restore all parameters (including the Mode and Video Size parameters you changed a minute ago) back to their original factory default settings. The default settings for each parameter are indicated in bold type in the **SETUP** Menu tables on the next several pages.

Field Scan 2x with Live Trigger Feature

Field Scan is a revolutionary new feature for the Bushnell **Core Trail Camera**, which allows you to monitor your food plots or field edges with time lapse images or video. When set to “On”, the **Core Trail Camera** will take a photo (or record a video clip) automatically at your choice of intervals (for example, once every five minutes) during one or two blocks of time you set up for each day, **without requiring a trigger from an active animal**. This has the advantage of giving you the ability to monitor the edge of a field that might be 50 or 150 yards away from the camera out of the PIR sensor’s range. The result is an effective range much greater than it would normally be, with the camera dependent on triggers generated by nearby animals. This is a great tool for hunters to scout an entire field with only one camera.

If an animal does enter the area covered by the PIR sensor and generate a trigger event during a time in between the Field Scan intervals you set, the camera will capture an image or video just as it normally would, based on your other menu settings. Here’s how to setup and use Field Scan (be sure you’ve set the current time in “Set Clock” first, so your Field Scan recording will stop and start at the correct times of day):

1. Move the main switch to **SETUP**, then press **MENU**.
2. Keep pressing the **RIGHT** key, stepping through the Setup Menu until you reach Field Scan.
3. Press the **UP** key to select On, and press **OK** (*Step 1, pg.17*). You will see "A", representing the first block of time you can define (a second block of time later in the day, "B" can also be setup if you wish). Press **OK** (*Step 2*). This takes you to the screen to set Start and Stop times, which determines the clock times when the first block of Field Scan recording will begin and end for each day. You can set these times to the exact hour and minute you want, for a recording “window” that lasts anywhere from just a minute to a full 24 hours.
4. Set the [Start] and [Stop] times, beginning with the Start hour, using the **UP/DOWN** keys to change the setting (*Step 3*). The hour setting is based on a 24-hour clock, with “00” hours = midnight, “12” hours = noon, “23” hrs = 11PM, etc. To move to the next setting, press the **RIGHT** key, change the minute for the Start time with **UP/DOWN**, then on to the hour and minute settings for the Stop time.
5. After you finish setting the Stop minutes, press **OK** to confirm your settings for the first block of Field Scan recording. If desired, you can create a second block of time by pressing the **DOWN** key to select "B" (*Step 4*), then press **OK** and follow the same process to set Start and Stop times for Field Scan block "B"

(Step 5). As an example of how you might use these two available time blocks, you could setup Field Scan time block "A" for the dawn hours from 6 AM to 8 AM, and block "B" to capture images between 5:30 and 7 PM. No Field Scan recording would occur from 8AM to 5:30PM, or from 7PM to 6AM.

6. After setting Start/Stop times to define Field Scan block "A" and/or "B", press **OK**, then press the **UP** or **DOWN** key to select "Interval" and press **OK** (Step 6). The Field Scan "Interval" setting lets you control how often a photo or video clip is recorded during the block(s) of time you defined with the Start and Stop settings. Your options are 60 minutes, 30 minutes, 15 minutes, 5 minutes (*default setting, also the lowest interval in video mode*), or 1 minute (*still photo mode only*). Use the **UP/DOWN** keys to select your preference, then press **OK** to save it (Step 7). Note that for videos, "Interval" is independent of the Length of each video recording—it's **how often** videos are recorded, not how long each one lasts. 7. Here's an example of how the camera would operate, based on the following

Field Scan settings:

Field Scan: On

Field Scan A:

[Start]: 6:00

[Stop]: 8:00

Field Scan B:

[Start]: 17:30

[Stop]: 19:00

Interval: 15M

Note: avoid any "overlap" of Field Scan A & B recording blocks when setting their start and stop times, to assure correct operation. Also-if the "Camera Mode" menu parameter is set to "Day" or "Night" operation only, that will take priority over your Field Scan settings. Set the Camera Model to "24 HR" if you are setting both day and night start and/or stop times in Field Scan.

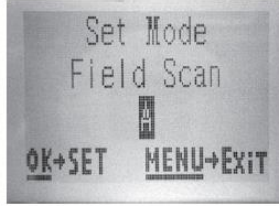
These settings would cause the camera to capture a photo (or video, if the camera is set to that mode) once every 15 minutes, beginning at 6 AM, until the Field Scan "A" recording block stops at 8:00 AM. Later that day, the camera would again take a photo or video every 15 minutes between 5:30 PM and 7:00 PM (during Field Scan time block "B"). The next day, the camera would again record an image or video once every 15 minutes between 6:00 and 8:00 AM, and between 5:30 and 7:00 PM. No Field Scan recording would occur from 8AM to 5:30PM, or from 7PM to 6AM. Remember, Field Scan recording is independent of normal triggers due to animal activity—even if no animals enter

the IR sensor coverage zone, an image or video will still be captured every 15 minutes during the block(s) of time. If an animal triggers the camera "in between" the 15 minute intervals, it will be recorded.

Note: Field Scan settings of frequent intervals and/or long periods between start and stop time can reduce battery life.



[Step 1]-set Field Scan Mode to "On"

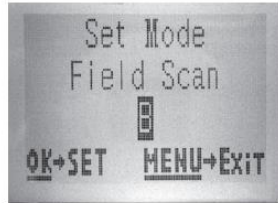


[Step 2]-select Field Scan "A" (press OK)



[Step 3]-set Field Scan "A" Stop & Start

Steps 4 & 5 are optional (only required if you want to set up a second block of Field Scan recording with different stop and start times)



[Step 4] (opt)-select Field Scan "B" (press OK)

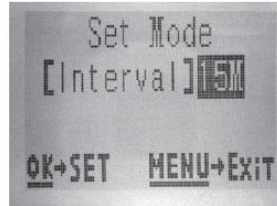


[Step 5] (opt)-set Field Scan "B" Stop & Start

Note: the Interval Setting sets the timing between each image for both Field Scan "A" and "B" recording blocks.



[Step 6]-select Field Scan "Interval"



[Step 7]-set Field Scan Interval

The SETUP Menu – Parameters and Settings List w/Descriptions

Parameter	Settings (Bold=default)	Description
Set Clock	(Set)	Press OK and use the UP/DOWN keys (to change the setting) and LEFT/RIGHT keys (to move to the next field) to set the hour (24-hr format only, "00"=midnight, "12"=noon) and minute, and then (on the lower row), the year, month and date.
Mode	Camera , Video	Selects whether still photos or video clips are captured when the camera is triggered
Image Size (only affects still photos in Camera)	3MP , 8MP, 24MP/30MP (119975C/119977C Only)	Selects resolution for still photos. Higher resolution provides more pixels, but creates larger files that take up more of the SD card capacity (fills up faster). 3MP, 8MP, 24MP, 30MP

<p>Capture Number <i>(only affects still photos in Camera mode)</i></p>	<p>1 Photo, 2 Photo, 3 Photo, 4 Photo, 5 Photo</p>	<p>Selects how many photos are taken in sequence per trigger in Camera mode. This setting affects photos taken in Field Scan mode as well (to snap two photos every 10 minutes, for example). <i>Note: only one photo will be captured if "Interval" is set to 0.6 second, regardless of the Capture Number setting. Please also refer to the Interval parameter.</i></p>
<p>Video Size <i>(only affects video clips in Video mode)</i></p>	<p>1920x1080 60FPS (119975C/119977C only) 1920x1080 1280x720 640x360</p>	<p>Selects video resolution (in pixels per frame). Higher resolution produces better quality videos, but creates larger files that take up more of the SD card capacity (fills up faster). 640x360 is VGA video in "widescreen" 16:9 format. The highest setting provides HD video. Using high speed SD cards (SanDisk® SDHC class 6 or higher) is recommended if you will use the 1280x720 or 1920x1080 video settings.</p>
<p>Video Length <i>(only affects video clips in Video mode)</i></p>	<p>5S to 60S fixed time range (10S default), or Dynamic variable length</p>	<p>Sets length per video clip. The default setting is 10 seconds fixed time per video, with an available range from 5S (5 seconds) to 60S (1 minute). Nighttime limit of 15 seconds when LED Control = High.</p> <p>The "Dynamic" setting provides a variable video length, based on animal activity within PIR range and your Interval (<i>next page</i>) and LED Control settings as follows:</p> <p>With Interval set to 0.6 sec: video length is a fixed 10 seconds per trigger. If a new trigger occurs during the last 4 seconds of a video, another 10 second video will be recorded immediately after the first. This will continue indefinitely as long as battery power is adequate, regardless of LED Control settings, during both day and night time.</p> <p>With Interval set to 2 sec or longer, for daytime videos: video length is "adaptive" (determined by new triggers), with a minimum of 5 seconds. If a new trigger occurs during the last 4 seconds of this first video, the length is extended by another 1-4 seconds (based on when the new trigger happens), with a maximum total length of 2 minutes continuous video before a new video is initiated.</p> <p>With Interval set to 2 sec or longer, and LED Control=High, for night videos: same as daytime, but maximum length is 15 seconds before</p>

		<p>recording ends and a new video is started if a new trigger occurs.</p> <p>With Interval set to 2 sec or longer, and LED Control=Med/Low, for night videos: same as daytime, but maximum length is 60 seconds before recording ends and a new video is started if a new trigger occurs.</p>
Interval	<p>10S (second) default, with as60M (minute) to .2S (half second) range of settings available. (60M-1M are set in one minute increments, 59S-3S are set in one second increments, followed by the .6S setting)</p>	<p>Selects the length of time that the camera will “wait” until it responds to any additional triggers from the PIR after an animal is first detected and remains within the sensor’s range. During this user set “ignore triggers” interval, the camera will not capture photos/ videos. This prevents the card from filling up with too many redundant images. Settings begin with 10 second default when parameter is first selected. Setting the Interval time to .6 second will capture the maximum # of images, but some may appear "washed out" if animal is too close to camera at night. Note: after setting down past “.6S”, settings start over at “60M”.</p>
Format	<p>Execute (followed by an additional No/Yes step)</p>	<p>Deletes (erases) all files stored on a card to prepare it for reuse. Always format a card that has been previously used in other devices.</p> <p>Caution! Make sure you have downloaded and backed up any files you want to preserve first! Press OK to execute, press MENU (or select NO then press OK) to exit without formatting.</p>
Time Stamp	<p>On, Off</p>	<p>Select “On” if you want the date & time (that the image was captured) imprinted on every photo/video, select “Off” for no imprint. Note: the current temperature, moon phase, and (user set) camera name will also be imprinted on your still photos.</p>
Video Sound (Only affects video clips in Video mode)	<p>On, Off</p>	<p>Select “On” to record audio along with the video when the camera is set to video mode (saved file sizes will be slightly larger).</p>
Sensor Level	<p>Auto, Low, Normal, High</p>	<p>Auto sensor level will automatically adjust the sensor level depending on the surrounding temperature. >70°F(High); 45°F~70°F(Normal); < 45°F(Low), High Sensor will adjust the cameras sensitivity to reach out 70’, Normal Sensor will adjust the cameras sensitivity to reach out 100’,</p>

		Low Sensor will adjust the cameras sensitivity to reach out 40'
Camera Mode	24 Hrs, Day, Night	Allows user to limit operation to only day or night period if desired. An ambient light level sensor determines "Day" vs "Night" automatically.
Default Set	Cancel, Execute	Select "Execute" and press OK to restore all parameters to the original factory default settings. If the camera is behaving oddly and you think you may have changed the setting for something accidentally (but aren't sure which one), this will reset all parameters to their most commonly used or "generic" settings.
Version	None	Displays current firmware version for reference.

USING THE SETUP MENU INPUT SCREENS

Camera Name Input

After selecting the Camera Name parameter (the only setting is "Input"), press **OK**.

If necessary, delete the previous or default name by pressing the **RIGHT** key until the backspace symbol () (located between letters "A" & "B", also between "j" & "k") is highlighted, then keep pressing **OK**.

Select (highlight) each alphanumeric character you want, using the **LEFT/RIGHT** keys, and pressing **OK** after each one to set it. When finished naming the camera, press **MENU** to save the name to memory.

Coordinate Input

After selecting the Coordinate Input parameter, press **UP** or **DOWN** to select the On setting and press **OK**. The latitude and longitude for any location where you plan to place the camera can be obtained at many websites, for example: <http://itouchmap.com/latlong.html> . You can enter a nearby street address, just zip code, or use the various types of maps to locate the approximate position. The format you will need to use to enter the coordinates in the Core Trail Camera menu screen is shown below:

Note: You may see "negative" latitude or longitude coordinates online. These designate South latitudes and West longitudes. US/Canada locations will have North (+) latitude coordinates and West (-) longitude coordinates.

MOUNTING and POSITIONING the Core Trail Camera Mounting

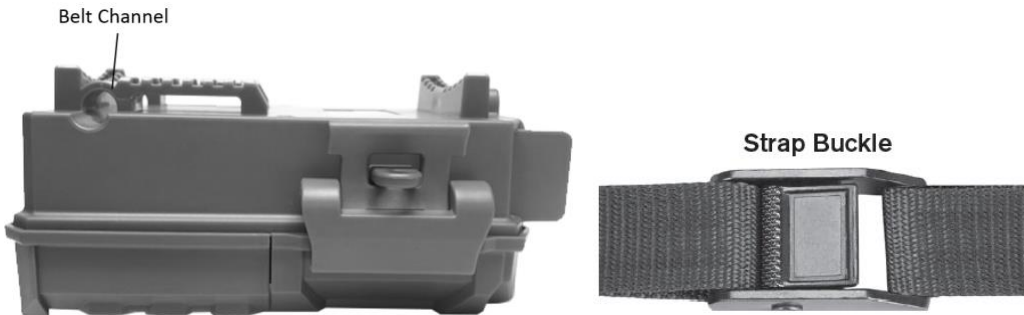
After you've set up the camera's parameters to your personal preferences at home or in your truck, you're ready to take it outside and slide the power switch to "**ON**". When setting up the **Core Trail Camera** for scouting game or other outdoor applications, you must be sure to mount it in place correctly and securely.

We recommend mounting the **Core Trail Camera** on a sturdy tree with a diameter of about 6 in. (15cm). To get the optimal picture quality, the tree should be about 16-17 ft. (5 meters) away from the place to be monitored, with the camera placed at a height of 5-6.5 ft. (1.5~2 m). Also, keep in mind that you will get the best results at night when the subject is within the ideal flash range, no farther than 100ft/30m (119936C/1198838C) and no closer than 10ft (3m) from the camera.

There are two ways to mount the **Core Trail Camera**: using the provided adjustable web belt, or the tripod socket.

Using the adjustable web belt: *Fig. 5* illustrates using the web belt on the **Core Trail Camera**. Push one end of the belt through the two brackets on the back of the **Core Trail Camera**. Thread the end of the strap through the buckle. Fasten the belt securely around the tree trunk by pulling the end of the strap firmly so there is no slack left. Using the tripod socket: The camera is equipped with a socket at the bottom end to enable mounting on a tripod or other mounting accessories with a standard 1/4-20 thread.

Fig. 5 Attaching the Belt



Note: an accessory solar panel supplemental power source (#119756C) is also available - please visit www.bushnell.com for more information.

Sensing Angle and Distance Test

To test whether the **Core Trail Camera** can effectively monitor the area you choose, this test is recommended to check the sensing angle and monitoring distance of the **Core Trail Camera**. To perform the test:

- Switch the **Core Trail Camera** to the **SETUP** mode.
- Make movements in front of the camera at several positions within the area where you expect the game or subjects to be. Try different distances and angles from the camera.
- If the motion indicator LED light blinks, it indicates that position can be sensed. If it does not blink, that position is outside of the sensing area. The results of your testing will help you find the best placement when mounting and aiming the **Core Trail Camera**. The height away from the ground for placing the device should vary with the animal size appropriately. In general, 3 to 6 feet is preferred.

You can avoid potential false triggers due to temperature and motion disturbances in front of the camera by not aiming it at a heat source or nearby tree branches or brush (especially on windy days).

Switching ON the Camera

Once you switch to the **ON** mode, the motion indicator LED (red) will blink for about 10 seconds. This gives you time to close and lock the front cover of the **Core Trail Camera** and then walk away. During this time, the motion indicator LED will blink red continuously. After it stops blinking, the PIR is active, and any motion that is detected by it will trigger the capture of photos or videos as programmed in the **SETUP** Menu. Be sure you have read the descriptions of the Capture Number, Interval and Sensor Level parameters. Please note, the PIR is strongly sensitive to ambient temperature. The greater the temperature difference between the environment and your subject, the farther the possible sensing distance. The average sensing distance is about 60 ft.

Before leaving the camera unattended, please check for the following:

- Are the batteries or DC power supply inserted/connected with correct polarity and is the power level is sufficient?
- Does the SD card have sufficient available space and is its write-protection (lock) switch off?
- Is the Power switch in the **ON** position? (Do not leave it in **SETUP**).

REVIEWING/DELETING THE PHOTOS/VIDEOS

After you have setup, mounted and activated your **Core Trail Camera**, you will of course be eager to return later and review the images it has captured for you. There are several different ways this can be done.

Reviewing Images Directly From the SD Card

This is the most popular method of viewing images. Since unmounting the camera and taking it to your computer isn't very convenient, you may find it easier to just take the card out. By removing the SD card (swapping it for a new empty card if you like) and taking it to your home or campsite to view the images by using an SD card "reader" (*user supplied*) connected to your computer (some computers and TVs have a built in SD card slot), you can leave the camera in place ready to capture more images.

TROUBLESHOOTING / FAQ

Camera takes continuous images of no subject

A camera has what is known as a “false trigger” if the PIR sensor thinks that there is motion and heat in front of the camera lens when there is no subject in the image. These “False Triggers” are the result of placing the camera in an environment where there is motion associated with tree branches creating motion in front of the camera or an area where there is high heat in the foreground and any motion from wind could set off the camera. Setting a camera up over water is also a potential cause for this issue. To remedy this situation:

1. Try moving the camera to an area that does not have any of these issues or try changing the sensor level on the menu settings.
2. If the camera continues to take images when there is no subject in them, try placing the camera in an inside environment and aiming at a location where there is no motion.
3. If the camera continues to show issues, then there is probably an electronic component issue. If this is the case, please contact our customer service to send the camera back for repair.

Battery life is shorter than expected

1. Battery life will vary with operating temperature and the number of images taken over time. Setting the Interval time to 0.6 second will decrease battery life. Typically, the **Core Trail Camera** will be able to capture several thousand images before the batteries die.
2. Check to make sure you have used new alkaline or lithium batteries. Bushnell recommends using Energizer® Lithium AA batteries in your Core Trail Camera model to obtain maximum battery life.
3. Make sure that the power switch was turned to the “On” position and that the camera was not left in “Setup” mode while in the field.
4. Make sure that you are using a good quality name brand SD card in your camera. Bushnell recommends SanDisk® brand SD Cards up to 32GB (*Ultra® or Extreme® series for HD video*). Our experience indicates that poor quality SD cards can sometimes reduce your **Core Trail Camera** battery life.

Camera stops taking images or won't take images

1. Please make sure that the SD card is not full. If the card is full, the camera will stop taking images.
2. Check the batteries to make sure that they are new alkaline or lithium AA batteries. *See note above about short battery life.*
3. Make sure that the camera power switch is in the “On” position and not in the “Off” or “Setup” modes.
4. Make sure that you are using a good quality SD card in your camera. Bushnell recommends SanDisk® SD Cards up to 32GB (*Ultra® or Extreme® series for HD video*).
5. If the SD card has its write protect switch in the lock position, the camera will not take images.
6. If you have used an SD card in another device before inserting it in your **Core Trail Camera**, you might want to try formatting the card using the “Format” parameter in Setup mode (make sure you have backed up any important files first, as formatting will erase all previous files). In some cases, other devices may change the formatting of the SD card so that it will not work properly with the **Core Trail Camera**.

Camera won't power up

1. Make sure that you have installed 8 batteries in the battery compartment. Bushnell recommends using Energizer® Lithium AA batteries in your Core Trail Camera.
2. Make sure that the batteries are installed correctly, observing proper polarity. Always place the negative (flat) end of each battery in contact with the spring side of its slot inside the camera.
3. After moving the switch from "Off" to "Setup" or "On", make sure that the switch is correctly in position to ensure the proper mode (avoid positions "between" two modes).
4. Do not move the switch directly from "On" to "Setup"-always move the switch all the way down to "Off" first, then back up to "Setup".

1. Night photos or videos appear too dark

- a. Check the battery indicator icon to see if battery power is full. The flash will stop operating near the end of the battery life.
- b. You will get the best results when the subject is within the ideal flash range, no farther than 80ft/24m (119876C/119877C) or 100 ft/30m (119874C/119875C). Subjects may appear too dark at greater distances.
- c. Please note that when the Capture Number parameter is set higher than "1Photo", or with very short Interval settings, some images may appear darker than others due to the quick response and rapid retriggering of the camera, allowing less time for the flash to fully recharge before firing again.
- d. Make sure "LED Control" in the setup menu is set to "High" to ensure maximum output. Check that "NV Shutter" in the menu is set to "Auto" and not "High", as higher shutter speeds can result in darker images.
- e. The ARD (anti-reflective device) shield can be removed to maximize flash output. See page 29 for more details.

2. Daytime photos or videos appear too dark

Make sure that the camera is not aimed at the sun or other light sources during the day, as this may cause the auto exposure to produce darker results.

3. Night photos or videos appear too bright

If the subject is close to the camera (less than 10ft/3m), change the LED Control parameter in the Setup Menu to "Medium" or "Low". Set trigger Interval to 2S or above.

4. Daytime photos or videos appear too bright

Make sure that the light sensor will not be in the shade (from tree leaves/ branches) while the camera lens is aimed into a bright area during the day.

5. Photos with streaked subject

- a. In some cases with low lighting conditions and fast moving subjects, the 4K or HIGH resolution settings may not perform as well as the HD setting.
- b. If you have multiple images where fast moving subjects produce streaks on the photo, try the HD setting instead.
- c. Set Interval to 2S or above to reduce motion blur.
- d. Set "NV Shutter" to "High" to minimize motion blur.

6. Red, green or blue color cast

- a. Under certain lighting conditions, the sensor can become confused resulting in poor color images.
- b. If this is seen on a consistent basis, then the sensor may need servicing. Please contact Bushnell customer service.

7. Short video clips—not recording to the length expected

- a. Check to make sure that the SD card is not full.
- b. Make sure that the camera has good batteries in it. Near the end of the battery life, the camera may choose to record shorter video clips to conserve power.

- c. When LED Control is set to "High" and camera is in Video mode, the maximum video length in "Dynamic" mode at night is 15 seconds, to avoid potential overheating of batteries and/or electronic components. Maximum video length available when set to "Dynamic" in daytime is 2 minutes.

Date/Time Stamp not appearing on images

Make sure that the **"Time Stamp"** parameter is set to **"On"**.

Photos Do Not Capture Subject of Interest

1. Check the **"Sensor Level"** (PIR sensitivity) parameter setting. For warm temperature conditions, set the Sensor Level to **"High"** and for cold weather use, set the sensor for **"Low"**. For variable weather, use **"Auto"**.
2. Try to set your camera up in an area where there is not a heat source in the camera's line of sight.
3. In some cases, setting the camera near water will make the camera take images with no subject in them. Try aiming the camera over ground.
4. Try to avoid setting the camera up on small trees that are prone to being moved by strong winds.
5. Remove any limbs which are right in front of the camera lens.

PIR Sensor LED Flashes/Doesn't Flash

1. When the camera is in the **"Setup"** mode, a special LED on the front of the camera will flash when it senses motion. This is for setup purposes only and will help the user aim the camera.
2. During use, the LED will not flash when the camera takes an image. This is to help keep the camera hidden from game.

LCD Screen Issues

1. *LCD screen powers on but no text is present.*
 - a. After moving the switch from **"Off"** to **"Setup"** or **"On"**, make sure that the switch is correctly in position to ensure the proper mode (avoid positions **"between"** two modes).
 - b. Do not move the switch directly from **"On"** to **"Setup"**-always move the switch all the way down to **"Off"** first, then back up to **"Setup"**.
2. *LCD screen shows a faint black line after turning from **"Setup"** to **"On"**.* The LCD will turn off when you slide the switch to the **"On"** position. In some cases, this black line will appear and then fade in about 1 second. This is normal and the camera will function properly.
3. *Screen comes on but then powers off*
Make sure that you have installed the SD card correctly.

Camera won't retain settings

Make sure that you have been saving the changes to any parameter settings that you made while in Setup mode, by pressing **"OK"** after changing the setting. If you don't save your new setting after changing it, the camera will continue to use the original default setting for that parameter.

Moisture or Ants Inside Camera

1. To ensure humidity or rain is kept out of the camera, secure the DC In plug firmly in place.
2. Ants can be attracted by low level electronic vibrations, and enter through any gaps between the exterior and interior of the camera. Make sure the DC In plug is securely attached.

Field Scan (Time Lapse) not working properly

1. Make sure that the stop and start times of Field Scan "A" and "B" do not overlap (for example, do not set the start time of "B" to 8AM if the stop time of "A" is 10AM).
2. When using Field Scan in video mode, the smallest interval time available is 5 min, to avoid potential overheating of the batteries and electronic components, which could cause operational failure or damage to the camera. In still photo mode, a 1 min. Interval can be set.

CAUTION: DO NOT USE the 0.6s Interval setting for Video at night at a feeder or similar environment. It may cause the LEDs to continue firing over a long period of time, which may overheat and shorten the operating life of the internal electronic components.

Do not mix old and new batteries.

Do not mix battery types-use ALL lithium or ALL alkaline.

Rechargeable batteries are not recommended.

TECHNICAL SPECIFICATIONS

Maximum Pixel Size

119936C/119938C: 6528x3672 (16:9)

119975C/119977C: 7296x4104(16:9)

Lens F = 2.8;

FOV=38°;

IR-Flash Range

Selectable (Low/Med/High), >100ft/30m (119975C/119977C),> 100ft/30m (119936C/119938C)

Display Screen

Monochrome Display 119936C/119938C: 21x30mm(1.5")

Color Display (119975C/119977C only): 2.4"

Memory Card

SD or SDHC Card, Maximum capacity 32GB (*Class 6 or higher for 1280x720 or 1920x1080 HD video*)

Picture Size (pixels) 3MP=2304x1296, 8MP=3840x2160, 24MP=6528x3672
 3MP=2304x1296, 8MP=3840x2160, 30MP=7296x4104

Video Size

640x360p, 1280x720p, 1920x1080p @ 30 fps (Day)/ 15 fps (Night)

1280x720p, 1920x1080 @ 30 fps (Day) / 30 FPS (Night), 1920x1080 @60 fps (Day) / 60 FPS (Night)

PIR sensitivity Hyper PIR with 4 sensitivity settings: Low/Normal/High/Auto

Operation

User selectable: 24 Hour, Day only, or Night only (based on ambient light level)

Response Time 0.2 second (Photo), 1.0 second (Video)

Triggering Interval 0.6 sec. - 60 min. programmable

Shooting Numbers 1— 3 programmable

Video Length

Fixed length video time settings range from 5 to 60 seconds. See

pg. 21 for Dynamic Video length details (trigger based, variable per interval and LED settings).

Power Supply 8x AA batteries recommended, 4xAA as emergency power

Stand-by Current < 0.08mA (<7mAh/day)

Night Vision Shutter

Speed

User selectable (Auto/High)-affects night (NV) photos/videos only

Interface USB; SD card holder; DC external (12v)

Security Strap; ¼-20 attachment

Operating

Temperature

-20 - 60°C (Storage temperature: -30 - 70°C)

Operating Humidity 5% - 90%

TWO YEAR LIMITED WARRANTY

Your Bushnell® product is warranted to be free of defects in materials and workmanship for two years after the date of purchase. In the event of a defect under this warranty, we will, at our option, repair or replace the product, provided that you return the product postage prepaid.

This warranty does not cover damages caused by misuse, improper handling, installation, or maintenance provided by someone other than a Bushnell Authorized Service Department.

Any return made under this warranty must be accompanied by the items listed below:

- A check/money order in the amount of \$10.00 to cover the cost of postage and handling.
- Name, address and daytime phone # for product return.
- An explanation of the defect.
- Copy of your dated proof of purchase.

Do not send in accessories (batteries, SD cards, cables), only the product for repair. Product should be well packed in a sturdy outside shipping carton to prevent damage in transit, and shipped to the address listed below:

IN U.S.A. Send To: IN CANADA Send To:

Bushnell Outdoor Products Bushnell Outdoor Products
Attn.: Repairs Attn.: Repairs
9200 Cody 140 Great Gulf Drive, Unit # B
Overland Park, Kansas 66214 Vaughan, Ontario L4K 5W5

Specifications and designs are subject to change without any notice or obligation on the part of the manufacturer.

FCC COMPLIANCE STATEMENT:

FCC STATEMENT

Changes not expressly approved by Bushnell® could void the user's authority to operate the equipment.

Note: This equipment has been tested and found to comply with the limits for a Class B digital device, pursuant to Part 15 of the FCC Rules. These limits are designed to provide reasonable protection against harmful interference in a residential installation. This equipment generates, uses and can radiate radio frequency energy and, if not installed and used in accordance with the instructions, may cause harmful interference to radio communications. However, there is no guarantee that interference will not occur in a particular installation. If this equipment does cause harmful interference to radio or television reception, which can be determined by turning the equipment off and on, the user is encouraged to try to correct the interference by one or more of the following measures:

- Reorient or relocate the receiving antenna.
- Increase the separation between the equipment and receiver.
- Connect the equipment into an output on a circuit different from that to which the receiver is connected.
- Consult the dealer or an experienced radio/TV technician for help.

Shielded interface cable must be used with the equipment in order to comply with the limits for a digital device pursuant to Subpart B of Part 15 of FCC Rules. Specifications and designs are subject to change without any notice or obligation on the part of the manufacturer.

This device complies with Part 15 of the FCC Rules. Operation is subject to the following two conditions: (1) this device may not cause harmful interference, and (2) this device must accept any interference received, including interference that may cause undesired operation. Please note that changes or modifications not expressly approved by the party responsible for compliance could void the user's authority to operate the equipment.





Disposal of Electric and Electronic Equipment

*(Applicable in the EU and other European countries
with separate collection systems)*

This equipment contains electric and/or electronic parts and must therefore not be disposed of as normal household waste. Instead, it should be disposed at the respective collection points for recycling provided by the communities. For you, this is free of charge.

If the equipment contains exchangeable (rechargeable) batteries, these too must be removed before and, if necessary, in turn be disposed of according to the relevant regulations (see also the respective comments in this unit's instructions).

Further information about the subject is available at your community administration, your local waste collection company, or in the store where you purchased this equipment.

For further questions or additional information
please contact:

Bushnell Outdoor Products
9200 Cody, Overland Park, Kansas 66214
(800) 423-3537 • www.bushnell.com

©2020 Bushnell Outdoor Products

Bushnell®



CORE™

CORE™ DS
DUAL SENSOR
THE DIFFERENCE IS NIGHT AND DAY

MANUEL D'INSTRUCTIONS

Model #: 119936C / 119938C / 119975C / 119977C

French / français / francés / francese / Frans

Guide de démarrage rapide (modèles 119936C/119938C/119975C/119977C)

Pour consulter le manuel d'utilisation complet, veuillez vous rendre sur : www.bushnell.com

Pour commencer à utiliser votre piège photographique Bushnell :

6. Insérez 6 piles AA (alcalines ou au lithium*) ainsi que la carte SD (n'excédant pas 512 Go).
*des piles au lithium sont recommandées
7. Allumez l'appareil à l'endroit où vous avez l'intention de l'installer.
8. Fixez l'appareil en utilisant la sangle de fixation pour arbre.
9. Votre appareil photo est maintenant prêt à fonctionner avec les réglages par défaut : mode Photo, intervalle de 10 secondes entre chaque photo, définition de 3 Mpx.
10. Les réglages par défaut peuvent être modifiés à votre convenance (par exemple, si vous préférez enregistrer des vidéos, souhaitez une autre définition pour les photos ou voulez étendre l'intervalle) via l'écran de l'appareil.

(vous pouvez consulter le manuel d'utilisation complet sur www.bushnell.com pour plus d'informations)

Service client : 800 423-3537

www.bushnell.com

NOTE IMPORTANTE

Félicitations pour votre achat de l'un des meilleurs pièges photographiques sur le marché ! Bushnell tire une grande fierté de cet appareil photo et nous sommes convaincus que vous en serez tout aussi satisfait. Nous apprécions l'intérêt que vous nous portez et aspirons à gagner votre confiance. Veuillez vous référer aux remarques ci-dessous et aux instructions contenues dans ce manuel pour être assuré de tirer le meilleur de ce produit.

Si vous constatez que votre appareil photo Bushnell Core Trail ne fonctionne pas comme il le devrait ou si vous rencontrez des problèmes avec la qualité des photos/vidéos, **veuillez consulter la section Dépannage/FAQ sur les pages 49-53.**

De nombreux problèmes sont causés par une petite chose qui a été négligée et l'ajustement d'un seul paramètre suffit parfois à les résoudre.

Si un problème venait toutefois à subsister après avoir essayé les solutions proposées dans la section Dépannage/FAQ, **nous vous prions de bien vouloir appeler le service client de Bushnell en composant le 800 423-3537.** Au Canada, veuillez composer le 800 361-5702.

N'utilisez pas conjointement des piles usées et neuves.

N'utilisez pas conjointement différents types de piles. Vous devez utiliser EXCLUSIVEMENT des piles alcalines ou EXCLUSIVEMENT des piles au lithium.

Bushnell recommande d'utiliser une carte SanDisk® classe 6 ou une carte SDHC plus rapide (n'excédant pas une capacité de 32 Go) dans votre appareil photo Core Trail.

INTRODUCTION

À propos de l'appareil photo Core Trail

L'appareil photo **Bushnell Core Trail** est un dispositif de piège photographique. Il peut être déclenché par tout mouvement d'un animal en un lieu précis que détecte un capteur de mouvement infrarouge passif extrêmement sensible, ce qui provoque la prise de photos de haute qualité (pouvant atteindre 24 Mpx voire 30 Mpx) ou de vidéos.

L'appareil photo **Core Trail** consomme très peu d'énergie (moins de 0,08 mA) en position de veille (ou de surveillance). Il est ainsi capable de fonctionner en position de veille ininterrompue pendant six mois si alimenté par des piles alcalines AA pleines, cette période pouvant même s'étendre à 12 mois dans le cas de piles au lithium AA pleines. Lorsqu'un mouvement est détecté dans la zone surveillée, le dispositif photographique numérique est instantanément déclenché (généralement en moins d'une demi-seconde), et en fonction des réglages établis au préalable, des photos ou vidéos sont automatiquement enregistrées. L'appareil photo **Core Trail** est muni de DEL infrarouges intégrées qui fonctionnent comme un flash, ce qui permet d'obtenir des photos ou des vidéos claires (en noir et blanc), même dans l'obscurité, et il peut prendre des photos ou des vidéos en couleur si la luminosité est suffisante. Conçu pour un usage en extérieur, il résiste à l'eau et à la neige.

Votre piège photographique appartient à la dernière génération d'appareils photos **Bushnell Core Trail**

et intègre de nombreuses nouvelles fonctionnalités tout en améliorant d'anciennes, notamment :

- **Double capteur (modèles 119975C/119977C uniquement)** – l'appareil dispose de doubles capteurs afin d'obtenir la meilleure qualité d'image possible, de jour comme de nuit.
- **Sensibilité automatique du capteur de mouvement infrarouge passif** – l'appareil mesure la température ambiante et ajuste automatiquement le capteur/signal de déclenchement afin d'accroître la sensibilité aux légères variations de températures lors de journées plus chaudes et de la réduire lors de journées plus froides.
- **Compartiment à piles amovible** – compartiment à piles coulissant permettant de changer les piles rapidement. Loquet intégré empêchant le compartiment de s'ouvrir et de tomber de l'appareil.
- **Géolocalisation des données GPS** – offre la possibilité à l'utilisateur de saisir les données de latitude et de longitude de la position de l'appareil, qui seront insérées dans chaque fichier photo. Cela permet aux logiciels avec géolocalisation active tels que Google Earth, Picassa et autres de produire automatiquement une carte déterminant la position précise de chaque appareil lorsque vous consultez un ensemble de photos sur un ordinateur. Cela peut s'avérer utile pour ceux qui installent plusieurs appareils photo **Core Trail** pour surveiller de larges périmètres ou des zones très éloignées.
- **Mode multi-flash (contrôle des DEL)** – empêche la surexposition de photos à flash à distance rapprochée.
- **Mode d'enregistrement hybride** – permet d'enregistrer des photos et des vidéos lors de chaque déclenchement en atteignant la plus haute définition possible pour chaque mode.
- **Obturateur de vision nocturne** – l'utilisateur peut définir la vitesse d'obturation pour les images prises la nuit, ce qui lui assure un certain contrôle sur le rapport luminosité/prise de vue image par image.
- Le **mode de fonctionnement de l'appareil** peut être limité à la journée ou la nuit uniquement si vous ne souhaitez pas qu'il fonctionne pendant 24 heures.
- **Modes de prééclairement** pour une installation près d'un nourrisseur, d'un sentier ou d'une parcelle d'alimentation.
- Le mode de **vidéo dynamique** analyse la durée d'activité de l'animal observé afin de déterminer la durée d'enregistrement du fichier et ainsi éviter d'arrêter votre vidéo au moment où les choses deviennent intéressantes.

De nombreuses autres fonctionnalités sont incluses, telles que la vidéo avec son, une vitesse de déclenchement en 0,2 seconde, un temps de recouvrement de 0,6 seconde (pour les photos), un format d'écran large ou de plein écran pour les photos, l'empreinte du nom de l'appareil (si établie par l'utilisateur) accompagnée de données actuelles comme la température et la phase lunaire.

Emplois

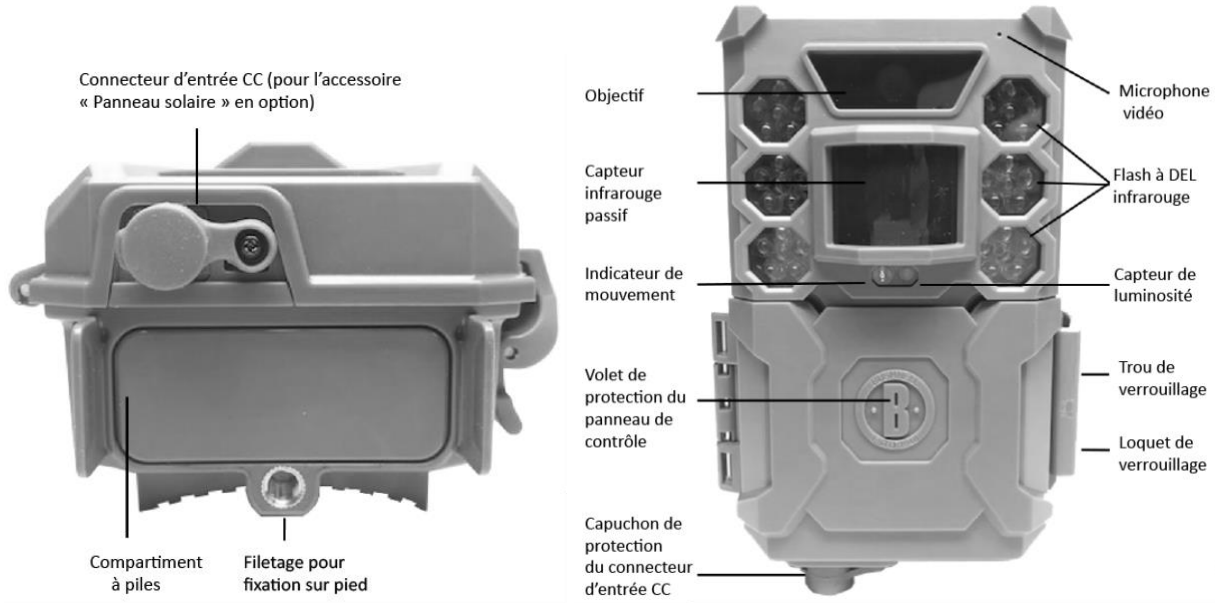
L'appareil photo **Core Trail** peut être utilisé en tant que piège photographique pour la chasse ou l'observation. Il est également adapté pour la surveillance.

CONNECTEURS ET COMMANDES

L'appareil photo **Core Trail** fournit les prises suivantes pour périphériques externes : port USB, logement de carte SD et connecteur d'entrée CC externe (p. 6, Fig. 1).

Un commutateur principal à trois positions permet de choisir les modes de fonctionnement principaux : **OFF**, **SETUP**, et **ON**, c'est-à-dire **ARRÊT**, **CONFIGURATION**, et **MARCHE** (p. 6, Fig. 2).

En mode SETUP, vous pouvez utiliser une croix directionnelle à cinq boutons pour sélectionner les fonctions opérationnelles et définir les réglages. Comme indiqué sur la page suivante, ces boutons sont : HAUT, BAS, GAUCHE, DROITE, et ENTRÉE. Trois de ces boutons remplissent une seconde fonction (raccourcis en mode SETUP) en plus de leur fonction principale : le bouton BAS peut être utilisé pour activer le mode Photo (icône d'appareil photo), tandis que le bouton HAUT permet d'activer le mode Vidéo (icône de caméra). Le bouton DROITE sert quant à lui d'obturateur manuel (« SHOT »). Ces fonctions secondaires sont signalées par une icône ou un texte au-dessus du bouton correspondant, comme vous pouvez le voir sur les photos ci-dessous.





INSERTION DES PILES ET DE LA CARTE SD

Avant d'apprendre à utiliser votre appareil photo **Core Trail**, vous devez insérer un jeu de piles ainsi qu'une carte SD. Bien que leur insertion ne nécessite que quelques instants, il convient de prendre note de certaines observations importantes concernant aussi bien les piles que les cartes SD et nous vous prions ainsi de bien vouloir prendre le temps de lire les instructions et précautions d'usage suivantes :

Insertion des piles

Après ouverture du loquet sur la droite du **Core Trail**, vous pouvez distinguer le bouton d'ouverture du compartiment à piles. Appuyez sur le bouton pour ouvrir le compartiment, qui devrait glisser en bas de l'appareil, à environ 1,5 cm vers l'extérieur, un système de loquet l'empêchant de tomber directement de l'appareil. Il vous suffit d'exercer une légère pression en tirant le compartiment pour désenclencher le loquet. Insérez un jeu complet de six piles dans les logements correspondants du compartiment en veillant à bien respecter la polarité des piles (la polarité négative ou « plate » devant entrer en contact avec le long ressort à chaque extrémité de chaque logement).

Bushnell recommande d'utiliser un jeu de piles AA au lithium (de marque Energizer®) ou de piles alcalines AA neuves. Les piles NiMH rechargeables ne sont pas recommandées, leur tension plus basse pouvant occasionner des problèmes de fonctionnement.



Vous avez également la possibilité de brancher l'accessoire « Panneau solaire » en option (*numéro de modèle 119756C – veuillez vous rendre sur www.bushnell.com pour plus d'informations*) au connecteur d'entrée CC (« DC In ») en bas du **Core Trail** (*une alimentation électrique externe ne doit pas être utilisée, pouvant entraîner un dysfonctionnement de l'appareil et/ou de l'écran*). Si le panneau solaire est branché et que des piles AA se trouvent dans le compartiment, l'appareil sera alimenté par la batterie lithium-ion rechargeable du panneau solaire tant que la tension fournie restera suffisante (dans le cas contraire, l'appareil utilisera les piles pour s'alimenter). La batterie du panneau solaire permettra d'alimenter l'appareil pendant la nuit.

Insertion de la carte SD

Insérez la carte SD (en vous assurant au préalable que le commutateur principal de l'appareil soit bien en position **OFF**) avant de commencer à utiliser le piège photographique. N'insérez pas ou ne retirez pas la carte SD lorsque le commutateur est en position **ON**.

Le **Core Trail** a recours à une carte mémoire SD (Secure Digital) standard pour la sauvegarde des photos (au format .jpg) et/ou des vidéos (au format .mp4). Les cartes SD et SDHC (à haute capacité) n'excédant pas une capacité de 32 Go sont supportées. L'utilisation d'une carte SD à haut débit (comme la SanDisk® SDHC classe 6 ou supérieure) est recommandé pour les paramètres vidéo 1280 x 720 et 1920 x 1080. Avant d'insérer la carte SD dans le logement à carte après ouverture du volet avant de l'appareil, veuillez vous assurer que le commutateur de protection en écriture sur le côté de la carte soit en position « off » (et PAS en position « Lock »). Ce qui suit décrit comment insérer et retirer la carte SD :

- Insérez la carte SD dans le logement à carte, étiquette vers le haut (voir photo ci-dessous). Un « clic » indique que la carte est insérée correctement. Si vous tentez d'insérer la carte dans le mauvais sens, vous ne pourrez pas y parvenir sans la forcer car il n'existe qu'un sens d'insertion correct. Si la carte n'est pas insérée correctement, l'appareil n'affichera pas l'icône de carte SD sur l'écran LCD en mode SETUP (*si la carte est verrouillée, un symbole de « cadenas » devrait figurer au milieu de l'icône de carte SD qui s'affiche lorsque vous passez en mode SETUP*). Le formatage de la carte SD via le paramètre « Format » (« Formater ») du **Core Trail** avant sa première utilisation est recommandé, en particulier si la carte a été utilisée dans d'autres périphériques (*voir « Formater » à la page 23 pour plus d'informations*).
- Pour retirer la carte SD, il vous suffit d'exercer une légère pression sur la carte (ne tentez pas de la tirer avant de l'avoir poussée vers l'intérieur). Le nouveau « clic » audible signifie que la carte

est délogée et prête à être retirée. **AVERTISSEMENT** : veillez à ce que le commutateur principal soit bien en position **OFF** avant d'insérer ou de retirer la carte SD ou les piles.



UTILISATION DE L'APPAREIL PHOTO CORE TRAIL

Une fois la préparation du **Core Trail** terminée avec l'insertion des piles et de la carte SD, vous pourriez sortir l'appareil, l'attacher à un arbre, l'allumer et le laisser, et il se pourrait même que vous obteniez déjà les excellentes photos que vous souhaitez.

Nous vous recommandons toutefois de passer un peu plus de temps avec ce manuel et votre appareil photo à l'intérieur afin de mieux comprendre le fonctionnement du commutateur à 3 positions et de la croix directionnelle. Il est probable que vous souhaitiez au moins définir la date et l'heure pour qu'elles puissent figurer sur les empreintes de vos photos à mesure de leur enregistrement (bien que ce ne soit pas obligatoire), apprendre à régler l'appareil pour l'enregistrement de vidéos au lieu de photos, ou connaître quelques astuces pour fixer l'appareil à un arbre.

LES MODES OFF, ON, ET SETUP (ARRÊT, MARCHÉ ET CONFIGURATION)

L'appareil photo **Core Trail** possède trois modes de fonctionnement de base :

- Mode **OFF** : commutateur principal en position **OFF**.
- Mode **ON** : commutateur principal en position **ON** (l'écran LCD reste éteint).
- Mode **SETUP** : commutateur principal en position **SETUP** (l'écran LCD s'allume).

MODE OFF

Le mode **OFF** correspond au mode de sécurité pour toutes vos manipulations, notamment lors du remplacement de la carte SD ou des piles et pour le transport de l'appareil. Vous devez également utiliser le mode **OFF** lorsque vous branchez l'appareil au port USB d'un ordinateur pour transférer vos photos/vidéos et lorsque vous n'utilisez pas l'appareil ou que vous souhaitez l'entreposer. À ce sujet, il convient de noter que le **Core Trail** continue de consommer de l'énergie à un niveau très bas, même en position **OFF**. Pour cette raison, il peut être préférable de retirer les piles de leur compartiment si vous n'avez pas l'intention d'utiliser l'appareil pendant une longue période.

MODE ON

Une fois les piles et la carte SD insérées, vous pouvez allumer l'appareil à tout moment. Lorsque le commutateur principal est en position haute, l'appareil passe en mode **ON** (marche). La DEL d'indication de mouvement (p. 6, « *Vue de face* ») clignote alors en rouge pendant environ 10 secondes. Cet intervalle vous laisse le temps de fermer le volet de protection avant du **Core Trail**, de le verrouiller, et de quitter la zone de surveillance. En mode **ON**, les commandes manuelles ne sont pas utilisables et ne sont pas requises (la croix directionnelle n'a d'ailleurs aucun effet). Le **Core Trail** prendra des photos ou enregistrera des vidéos automatiquement (en fonction des réglages prédéfinis) lorsque le capteur de mouvement infrarouge passif détectera un mouvement dans la zone couverte et le déclenchera.

Vous pouvez déplacer le commutateur directement de la position OFF à la position ON, ou vous pouvez choisir de vous arrêter sur la position SETUP dans un premier temps afin de modifier certains paramètres avant de déplacer le commutateur en position ON une fois vos réglages terminés.

MODE SETUP

En mode **SETUP**, vous pouvez vérifier et modifier les réglages du **Core Trail** à l'aide de son écran LCD intégré. Ces réglages, que vous trouverez dans le menu SETUP, vous permettent de modifier la définition de vos photos et vidéos ou l'intervalle entre la prise des photos, d'activer ou de désactiver l'empreinte de temps, etc. Le déplacement du commutateur en position **SETUP** allumera l'écran LCD, qui affichera des informations relatives au nombre de photos prises, le niveau de batterie, le mode actif (photo ou vidéo), etc. (*Fig. 3 sur la page suivante*)

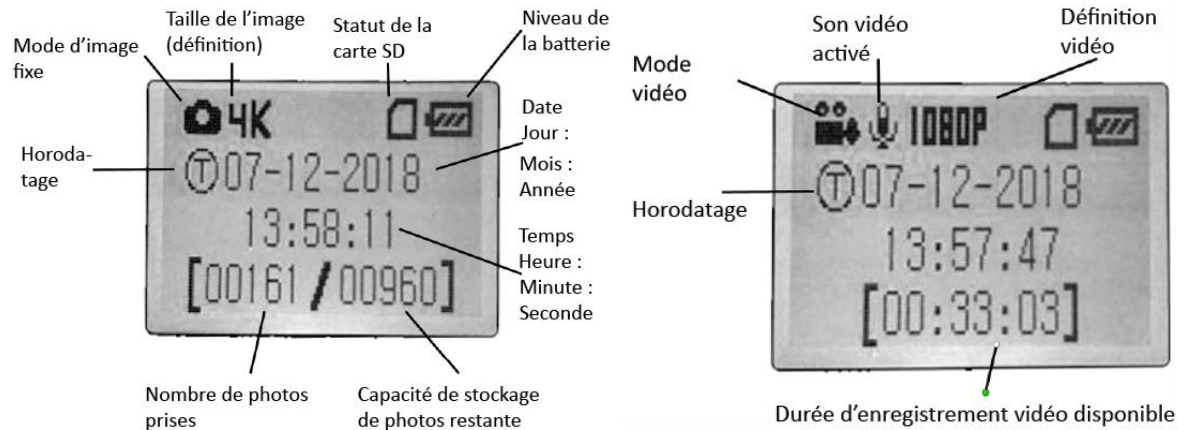
NOTE : passez toujours par le mode **OFF** avant d'entrer en mode **SETUP**. Un passage direct du mode **ON** au mode **SETUP** peut entraîner le verrouillage de l'appareil. Si cela se produit, déplacez tout simplement le commutateur en position **OFF**, puis de nouveau en position **SETUP**.

Boutons/fonctions de raccourci du mode SETUP

Comme mentionné précédemment dans la section « Connecteurs et commandes », quatre des boutons de la croix directionnelle, en plus de l'écran LCD, possèdent des fonctions secondaires, ou « raccourcis », lorsque l'appareil entre en mode **SETUP** (tant que vous n'appuyez pas sur le bouton **MENU**) :

- Appuyez sur le bouton **HAUT** pour rapidement activer le mode Vidéo et enregistrer des vidéos.
- Appuyez sur le bouton **BAS** pour rapidement activer le mode Photo et prendre des photos.
- Appuyez sur le bouton **DROITE** pour enclencher manuellement l'obturateur, ce qui peut s'avérer pratique pour tester l'appareil. Assurez-vous d'être en mode **SETUP**, appuyez sur le bouton **DROITE**, et quelques secondes plus tard, une photo ou une vidéo (selon les réglages) sera sauvegardée sur la carte SD (ou la mémoire interne si aucune carte n'a été insérée). Le compteur « nombre d'images prises » dans l'angle inférieur gauche de l'écran LCD augmentera. Si l'écran indique « SD LOCKED » (« Carte SD verrouillée ») lorsque vous appuyez sur le bouton SHOT, éteignez l'appareil, retirez la carte SD et déverrouillez son système de verrouillage en faisant glisser le commutateur.

Fig. 3 : écran d'information du menu SETUP (modèles 119936C/119938C)



UTILISATION DU MENU SETUP POUR MODIFIER LES RÉGLAGES

Le mode SETUP sert principalement à modifier les réglages des paramètres de l'appareil (*les paramètres disponibles varient en fonction des pré-réglages établis – veuillez vous référer à la page 18 pour plus d'informations*) pour que votre **Core Trail** fonctionne exactement comme vous le souhaitez. Vous pouvez l'utiliser en accédant au menu **SETUP**, puis en appuyant sur les boutons à côté de l'écran LCD, qui permettront d'afficher les paramètres et leurs réglages.

Modification des réglages des paramètres en mode SETUP

Une grande variété d'options, ou « paramètres », vous sont proposés pour que vous puissiez configurer le **Core Trail** selon vos préférences. Pour modifier le réglage d'un paramètre, quel qu'il soit, vous devez préalablement passer en mode **SETUP**. Une fois le mode activé, vous pouvez sélectionner le paramètre de votre choix et le modifier en appuyant sur le bouton **MENU**. Le nom du paramètre et les réglages établis seront affichés sur l'écran LCD.

En appuyant sur le bouton **DROITE** ou sur le bouton **GAUCHE**, vous accéderez respectivement au paramètre suivant ou au paramètre précédent, tandis que les boutons **HAUT** et **BAS** vous permettront de sélectionner le réglage souhaité pour le paramètre affiché. Après avoir établi un réglage, il vous suffit d'appuyer sur **ENTRÉE** pour le sauvegarder (pour que l'appareil le mémorise). Lorsque vous avez terminé de modifier les réglages d'un ou plusieurs paramètres, appuyez à nouveau sur **MENU** pour quitter le menu **SETUP**. Vous pouvez d'ailleurs appuyer sur le bouton **MENU** à tout moment pour annuler la modification d'un nouveau réglage pour un paramètre (avant d'avoir appuyé sur OK). Une fois les paramètres configurés selon vos préférences, veuillez à bien déplacer le commutateur en position **ON** afin de pouvoir commencer à prendre des photos ou enregistrer des vidéos. Si vous laissez le commutateur en position **SETUP**, aucune photo ne pourra être prise (*à moins que vous n'appuyiez sur le bouton **DROITE**/SHOT après avoir quitté le menu*) – et l'appareil s'éteindra automatiquement après quelques minutes d'inactivité.

Affichage des réglages des paramètres

Les réglages de chaque paramètre apparaissent sur l'écran d'affichage de votre appareil photo **Core Trail**. Un seul réglage est affiché à la fois, le réglage établi pour le paramètre sélectionné étant affiché en premier (*p. 13, Fig. 4a*). Pour modifier le réglage, utilisez les boutons **HAUT** et **BAS** afin d'afficher les autres réglages possibles (*fig. 4b*), puis appuyez sur **ENTRÉE** pour valider votre choix et réaliser la

modification. Si vous souhaitez vous assurer que la modification est bien confirmée, appuyez tout simplement sur le bouton **DROITE** pour passer au paramètre suivant, puis sur le bouton **GAUCHE** pour revenir au précédent. Vous devriez alors voir le réglage que vous venez d'établir.

Fig. 4 Sélection des réglages des paramètres

Appuyez sur Menu



(4A)

Appuyez sur le bouton Bas



(4B)

Appuyez sur OK

EXEMPLES – modification des réglages de certains paramètres courants

À la suite de cette page, vous trouverez un tableau répertoriant tous les paramètres du menu **SETUP** ainsi que les réglages possibles (ou ensembles de réglages) pour chacun d'entre eux, en plus d'une description détaillée de ce que chaque paramètre peut contrôler et de la fonction de chaque réglage. Si vous avez bien lu la section précédente concernant la sélection des paramètres et la modification de leurs réglages, vous devriez pouvoir trouver le(s) paramètre(s) que vous souhaitez et configurer l'appareil selon vos préférences sans grande difficulté. Malgré tout, un ou deux exemples pourraient peut-être vous faciliter la tâche :

Pour modifier le réglage d'un paramètre, commencez toujours par déplacer le commutateur principal en position **SETUP**. Une fois l'écran LCD allumé, appuyez sur le bouton **MENU**.

Le premier paramètre que vous devriez voir en accédant au menu **SETUP** est « Set Clock » (« Réglage de l'heure »). La fonction d'horodatage étant activée par défaut, l'appareil laissera une empreinte de temps (date et heure) sur chaque photo ou vidéo en se basant sur les réglages établis. Appuyez sur **ENTRÉE** et utilisez les boutons **HAUT** et **BAS** pour définir l'heure (système sur 24 heures, « 00 » = minuit

et « 12 » = midi), puis appuyez sur le bouton **DROITE** pour passer au champ des minutes et également l'ajuster (toujours via les boutons **HAUT** et **BAS**). Appuyez sur le bouton **DROITE** pour passer à la rangée inférieure et établir l'année, le mois et la date en suivant la même méthode. Lorsque vous avez terminé, appuyez sur **ENTRÉE** pour confirmer les nouveaux paramètres de temps établis.

Pour passer au paramètre suivant sur le menu, appuyez une fois sur le bouton **DROITE**. Le paramètre qui devrait s'afficher est « Mode ». Pour modifier le réglage par défaut « Camera » (« Photo ») et sélectionner « Video », appuyez sur le bouton **BAS** afin de mettre « Video » en surbrillance, puis sur le bouton **ENTRÉE** afin de confirmer le nouveau réglage du paramètre.

Pour passer à un autre paramètre du menu, appuyez sur le bouton **DROITE**. Vous pouvez accéder au paramètre « Video Size » (« Taille de la vidéo ») en appuyant dessus trois fois. Essayez d'utiliser les boutons **HAUT** et **BAS** pour faire défiler les réglages possibles, puis appuyez sur **ENTRÉE** pour confirmer le réglage choisi et établir la définition correspondante pour chaque vidéo enregistrée par l'appareil. En appuyant de nouveau sur le bouton **DROITE** à plusieurs reprises, vous atteindrez le paramètre « Default Set » (« Valeurs par défaut »). Mettez ce paramètre en surbrillance ou sélectionnez « Execute » (en utilisant les boutons **HAUT** ou **BAS**), puis appuyez sur **ENTRÉE** pour rétablir l'ensemble des paramètres (y compris les paramètres du mode Photo/Vidéo et la taille des vidéos que vous venez de modifier) à leurs valeurs d'usine par défaut. Les réglages par défaut de chaque paramètre sont indiqués en caractères gras sur le tableau du menu **SETUP** sur les pages suivantes.

Balayage de champ x2 via la fonction de déclenchement en direct

Le balayage de champ est une innovation révolutionnaire intégrée au piège photographique **Bushnell Core Trail** qui vous permet de surveiller vos parcelles d'alimentation ou les bordures de champ grâce à des photos ou vidéos en accéléré. Lorsque cette fonction est activée, le **Core Trail** prend automatiquement des photos (ou enregistre des vidéos) à intervalles de temps réguliers selon le réglage choisi (par exemple, toutes les cinq minutes) pendant une période de temps (ou deux) établie pour la journée, **sans que l'appareil ne nécessite d'être déclenché par le mouvement d'un animal**. Cette nouvelle fonction présente l'avantage de vous offrir la possibilité de surveiller une bordure de champ pouvant se situer à 50 ou 150 mètres de l'appareil et donc hors de portée du capteur de mouvement infrarouge passif. La portée du balayage est ainsi bien supérieure qu'en temps normal, lorsque l'appareil est déclenché par la présence d'un animal à faible distance. Cela peut s'avérer particulièrement utile pour les chasseurs qui souhaitent explorer une zone entière avec un seul appareil. Si un animal pénètre dans le périmètre couvert par le capteur de mouvement infrarouge passif et provoque le déclenchement du piège photographique au cours de la période de balayage de champ établie, l'appareil fonctionnera normalement et prendra une photo ou enregistrera une vidéo en respectant vos réglages des autres paramètres. Voici comment configurer et utiliser la fonction de balayage de champ (assurez-vous au préalable d'avoir défini l'heure sur le menu « Set Clock » pour que la période de fonctionnement du balayage de champ débute et s'arrête au bon moment de la journée) :

1. Déplacez le commutateur principal en position **SETUP**, puis appuyez sur **MENU**.
2. Appuyez répétitivement sur le bouton **DROITE** en navigant à travers le menu **SETUP** jusqu'à atteindre « Field Scan » (« Balayage de champ »).
3. Appuyez sur le bouton **HAUT** pour l'activer (position « On »), puis appuyez sur **OK** (*Étape 1, p. 17*). La lettre « A » devrait s'afficher, représentant la première période de temps que vous pouvez configurer (une seconde période de temps « B », plus tard dans la journée, peut également être configurée à votre

convenance). Appuyez sur **OK** (Étape 2). L'écran de configuration du début et de la fin du balayage s'ouvrira, ce qui vous permettra de définir l'heure de début et de fin d'enregistrement quotidien de la première période de balayage.

Vous pouvez définir l'heure et la minute exacte désirée, la « fenêtre » d'enregistrement se situant entre une minute et 24 heures.

4. Établissez l'heure de début et de fin (respectivement « [Start] » et « [Stop] »), en commençant par l'heure de début et en utilisant les boutons **HAUT** et **BAS** pour modifier les réglages (Étape 3). Le réglage de l'heure utilise le système horaire sur 24 heures, « 00 » heures signifiant minuit, « 12 » heures signifiant midi, « 23 » heures équivalant à « 11 p. m. », etc. Pour passer au réglage suivant, appuyez sur le bouton **DROITE**, modifiez la minute de début d'enregistrement avec les boutons **HAUT** et **BAS**, puis procédez de la même façon pour l'heure de fin.

5. Une fois la minute de fin d'enregistrement définie, appuyez sur **OK** pour confirmer vos réglages de la première période de balayage de champ. Si vous le souhaitez, vous avez la possibilité de configurer une seconde période de balayage en appuyant sur le bouton **BAS** et ainsi sélectionner la période « B » (Étape 4), puis en appuyant sur **OK** et en suivant le même processus pour établir l'heure de début et de fin d'enregistrement pour la période de balayage de champ « B » (Étape 5). À titre d'exemple, vous pourriez configurer un balayage de champ pour la période « A » à l'aube, de 6 heures à 8 heures, et pour la période « B » entre 17 h 30 et 19 heures. Pour cette configuration, aucun balayage de champ ne serait réalisé entre 8 heures et 17 h 30, ni entre 19 heures et 6 heures.

6. Lorsque vous avez terminé de configurer l'heure de début et de fin du balayage de champ pour la période « A » (et « B » le cas échéant), appuyez sur **OK**. Vous pouvez alors sélectionner l'intervalle en appuyant sur le bouton **HAUT** ou **BAS**, puis de nouveau appuyer sur **OK** (Étape 6). Le réglage « Interval » du balayage de champ vous permet de déterminer la fréquence des prises de photos ou de l'enregistrement de vidéos au cours de la période de temps définie par les réglages de début et de fin. Les options proposées sont 60 minutes, 30 minutes, 15 minutes, 5 minutes (*ce qui correspond au réglage par défaut et à l'intervalle le plus court en mode Vidéo*), et 1 minute (*en mode Photo uniquement*). Utilisez les boutons **HAUT** et **BAS** pour sélectionner l'intervalle souhaité, puis appuyez sur **OK** pour le sauvegarder (Étape 7). Il convient de noter que dans le cas du mode Vidéo, l'intervalle fonctionne indépendamment de la durée d'enregistrement de chaque vidéo. Ce réglage concerne la **fréquence** d'enregistrement des vidéos, pas la durée de chacune d'entre elles. 7. Voici un exemple du fonctionnement de l'appareil selon les réglages de

balayage de champ suivants :

Field Scan : On

Field Scan A :

[Start] : 6:00

[Stop] : 8:00

Field Scan B :

[Start] : 17:30

[Stop] : 19:00

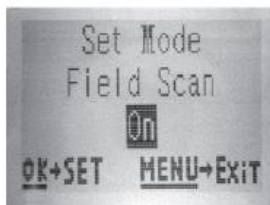
Interval : 15M

Note : évitez tout « chevauchement » des périodes d'enregistrement des balayages de champ A et B lorsque vous configurez leurs heures de début et de fin afin de ne pas compromettre le bon déroulement des opérations. Par ailleurs, si le piège photographique est réglé sur un fonctionnement

de jour (« Day ») ou de nuit (« Night ») uniquement, ce réglage sera considéré comme prioritaire par rapport à vos réglages de balayage de champ. Veuillez régler le mode du piège photographique sur « 24 HR » si vous établissez des heures de début et/ou de fin de balayage de champ pendant la journée et la nuit.

Dans l'exemple choisi, les réglages établis provoqueront la prise d'une photo (ou l'enregistrement d'une vidéo si le mode Vidéo est choisi) toutes les 15 minutes, à partir de 6 heures, jusqu'à ce que la période d'enregistrement du balayage de champ « A » prenne fin à 8 heures. Plus tard dans la journée, l'appareil prendra une image ou enregistrera une vidéo toutes les 15 minutes entre 17 h 30 et 19 heures (pendant le balayage de champ « B »). Le jour suivant, le piège photographique prendra à nouveau une photo ou enregistrera une vidéo toutes les 15 minutes entre 6 heures et 8 heures, puis entre 17 h 30 et 19 heures. Pour cette configuration, aucun balayage de champ ne serait réalisé entre 8 heures et 17 h 30, ni entre 19 heures et 6 heures. N'oubliez pas que le balayage de champ fonctionne indépendamment des autres déclenchements occasionnés par une activité animale. Même si aucun animal ne pénètre dans

la zone de couverture du capteur de mouvement infrarouge passif, une image ou une vidéo sera enregistrée toutes les 15 minutes pendant les périodes de balayage de champ. De la même façon, si un animal provoque un déclenchement au cours de l'intervalle de 15 minutes, l'appareil l'enregistrera. Note : les balayages de champ à intervalles fréquents et/ou l'établissement de longues périodes entre le début et la fin d'un balayage peut réduire la durée de vie des piles.



[Étape 1] – définissez le mode de balayage de champ sur « Activé »



[Étape 2] – sélectionnez le balayage de champ « A » (appuyez sur OK)



[Étape 3] – établissez l'heure de début et de fin du balayage de champ « A »

Les étapes 4 et 5 sont facultatives (elles sont uniquement requises si vous souhaitez établir un second bloc de balayage de champ avec des heures de début et de fin différentes)



[Étape 4] (facultative) – sélectionnez le balayage de champ « B » (appuyez sur OK)



[Étape 5] (facultative) – établissez l'heure de début et de fin du balayage de champ « B »

Note : le réglage de l'intervalle permet d'établir l'écart de temps entre chaque image pour les blocs d'enregistrement « A » et « B ».



[Étape 6] – sélectionnez « l'Intervalle » du balayage de champ



[Étape 7] – établissez l'intervalle du balayage de champ

Menu SETUP – liste des paramètres et des réglages avec descriptions

Paramètre	Réglages (réglages par défaut en caractères gras)	Description
Set Clock (Réglage de l'heure)	(Set)	Appuyez sur OK, puis utilisez les boutons HAUT/BAS pour modifier les réglages et les boutons GAUCHE/DROITE pour passer au champ suivant afin de définir l'heure (système horaire sur 24 heures uniquement, « 00 » = minuit, « 12 » = midi) et les minutes, puis sur la rangée inférieure l'année, le mois et la date.
Mode	Photo , Vidéo	Établit le type d'enregistrement réalisé (photo ou vidéo) lors du déclenchement de l'appareil.
Image Size (Taille d'image) – ne concerne que les photos en mode Photo	3 Mpx , 8 Mpx, 24/30 Mpx (modèles 119975C/119977C uniquement)	Établit la définition des photos. Les images en haute définition contiennent davantage de pixels, mais sont aussi plus volumineuses et affectent ainsi davantage l'espace de stockage de la carte SD (elles la remplissent plus rapidement). 3 Mpx, 8 Mpx, 24 Mpx, 30 Mpx
Capture Number (Nombre de prises) – ne concerne que les photos en mode Photo	1 Photo , 2 Photos, 3 Photos, 4 Photos, 5 Photos	Établit le nombre de photos consécutives prises lors de chaque déclenchement en mode Photo. Ce réglage concerne également les photos prises en mode Balayage de champ (par exemple pour prendre deux photos toutes les 10 minutes). <i>Note : seule une photo sera prise si l'intervalle choisi est de 0,6 seconde, quel que soit le réglage du nombre de prises. Veuillez vous référer au paramètre Interval pour plus d'informations.</i>
Video Size (Taille de vidéo) – ne concerne que les vidéos enregistrées en mode Vidéo	1920 x 1080 à 60 IPS (modèles 119975C/119977C uniquement) 1920 x 1080 1280 x 720 640 x 360	Établit la définition des vidéos (en pixels par image). Les vidéos en haute définition sont de meilleure qualité, mais sont aussi plus volumineuses et affectent ainsi davantage l'espace de stockage de la carte SD (elles la remplissent plus rapidement). La définition 640 x 360 correspond au standard vidéo VGA en 16/9 (écran large). Le réglage le plus élevé permet d'atteindre la HD. L'utilisation de cartes SD à haute capacité (SanDisk® SDHC classe 6 ou plus rapide) est recommandée pour les paramètres vidéo 1280 x 720 et 1920 x 1080.
Video Length (Durée de vidéo) – ne concerne que les vidéos en mode Vidéo	Durée fixe entre 5 et 60 secondes (10 secondes par défaut), ou durée dynamique variable	Établit la durée des vidéos. Le réglage par défaut est une durée fixe de 10 secondes par vidéo, le choix se situant entre 5S (5 secondes) et 60S (1 minute). La limite est de 15 secondes la nuit

	<p>lorsque la puissance des DEL est réglée sur High (Élevée).</p> <p>Le réglage « dynamique » établit une durée de vidéo variant selon l'activité animale dans la zone de portée du capteur de mouvement infrarouge passif, les réglages de l'intervalle (<i>page suivante</i>) et la puissance des DEL de la manière suivante :</p> <p>Intervalle de 0,6 secondes : la durée des vidéos est fixée à 10 secondes par déclenchement. Si un nouveau déclenchement se produit au cours des 4 dernières secondes d'une vidéo, une nouvelle vidéo de 10 secondes supplémentaires est alors enregistrée juste après la première. Le processus peut se poursuivre indéfiniment, jusqu'à épuisement de la batterie, quels que soient les réglages de puissance des DEL ou l'heure de la journée ou de la nuit.</p> <p>Intervalle de 2 secondes ou plus pour les vidéos de jour : la durée des vidéos est évolutive, c'est à dire qu'elle dépend des nouveaux déclenchements éventuels, la durée minimale étant de 5 secondes. Si un nouveau déclenchement se produit au cours des 4 dernières secondes d'une vidéo, la durée est étendue de 1 à 4 secondes (en fonction du moment où le nouveau déclenchement se produit), la durée maximale totale d'enregistrement vidéo continu étant limitée à 2 minutes (après quoi une nouvelle vidéo est enregistrée).</p> <p>Intervalle de 2 secondes ou plus avec une puissance des DEL réglée sur High (Élevée) pour les vidéos de nuit : le fonctionnement est identique à celui des vidéos de jour, mais la durée maximale d'enregistrement vidéo continu est limitée à 15 secondes. En cas de nouveau déclenchement, une nouvelle vidéo est enregistrée.</p> <p>Intervalle de 2 secondes ou plus avec une puissance des DEL réglée sur Med/Low (Moyenne/Faible) pour les vidéos de nuit : le fonctionnement est identique à celui des vidéos de jour, mais la durée maximale d'enregistrement vidéo continu est limitée à 60 secondes. En cas de nouveau déclenchement, une nouvelle vidéo est enregistrée.</p>
--	--

Interval (Intervalle)	10 secondes par défaut, l'écart possible se situant entre .2S (une demi-seconde) et 60M (une heure). L'augmentation se fait de minute en minute entre 1 et 60 minutes et de seconde en seconde entre 3 et 59 secondes (après le réglage de 0,6 seconde)	Établit la durée d'attente de l'appareil avant qu'il réagisse aux déclenchements du capteur de mouvement infrarouge passif qui suivent la première détection d'un animal dans la zone de couverture. Pendant la durée de l'intervalle « Ignore triggers » (« Ignorer les déclenchements ») établie, l'appareil n'enregistre aucune photo ou vidéo. Cela permet d'éviter que la carte ne se remplisse d'images superflues. Lorsque ce paramètre est sélectionné pour la première fois, le réglage par défaut est de 10 secondes. L'intervalle de 0,6 seconde permet de prendre le plus grand nombre de photos, mais il se peut que certaines soient floues si l'animal s'approche trop de l'appareil la nuit. <i>Note : une fois l'intervalle de 0,6 seconde atteint, la valeur reprend à 60 minutes.</i>
Format (Formater)	Execute (Exécuter) – <i>suivi par une étape Oui/Non</i>	Supprime (efface) tous les fichiers stockés sur la carte afin de préparer sa réutilisation. Formatez toujours une carte ayant servi dans d'autres appareils. Attention ! Veillez à transférer et effectuer une sauvegarde des fichiers que vous souhaitez conserver avant toute suppression ! Appuyez sur OK pour confirmer, ou appuyez sur MENU (ou bien sélectionnez NO puis appuyez sur OK) pour quitter sans formater la carte.
Time Stamp (Horodatage)	On, Off (Activé, désactivé)	Sélectionnez « On » si vous souhaitez que la date et l'heure d'enregistrement figurent sur chaque photo/vidéo, ou « Off » dans le cas contraire. <i>Note : la température, la phase lunaire et le nom de l'appareil (attribué par l'utilisateur) peuvent également figurer sur les photos.</i>
Video Sound (Son vidéo) – ne concerne que les vidéos en mode Vidéo	On, Off (Activé, désactivé)	Sélectionnez « On » pour enregistrer le son ambiant avec la vidéo lorsque le mode Vidéo est établi (les fichiers sauvegardés seront légèrement plus volumineux).
Sensor Level (Niveau du capteur)	Auto, Low, Normal, High (Automatique, Faible, Moyen, Élevé)	Le réglage « Auto » permet un ajustement automatique du niveau du capteur selon la température ambiante. >21 °C/70 °F (Élevé) ; 7-21 °C/45-70 °F (Moyen) ; <7 °C/45 °F (Faible). Un réglage élevé du capteur ajustera la sensibilité du piège photographique pour atteindre 20 mètres (70 pieds), un réglage moyen 30 mètres (100

		pieds) et un réglage faible 120 mètres (400 pieds).
Camera Mode (Mode de l'appareil)	24 Hrs, Day, Night (24 heures, Jour, Nuit)	Offre la possibilité à l'utilisateur de limiter le fonctionnement de l'appareil pour qu'il ne fonctionne que de jour ou que de nuit. Un capteur de luminosité ambiante détermine la période de la journée automatiquement.
Default Set (Valeurs par défaut)	Cancel, Execute (Annuler, Exécuter)	Sélectionnez « Execute » et appuyez sur OK pour rétablir l'ensemble des paramètres à leurs valeurs d'usine par défaut. Si le comportement du piège photographique est inhabituel et que vous pensez que vous avez modifié un paramètre accidentellement (sans savoir lequel), cela permettra de rétablir les paramètres à leurs valeurs les plus fréquemment utilisées (valeurs de base)
Version	None (Aucune)	Affiche la version actuelle du firmware à titre de référence.

UTILISATION DES ÉCRANS DE SAISIE DU MENU SETUP

Saisie du nom de l'appareil

Après avoir sélectionné le paramètre Camera Name (Nom de l'appareil), dont l'unique réglage est Input (Saisir), appuyez sur **OK**.

Si nécessaire, supprimez le nom précédent ou le nom par défaut en appuyant sur le bouton **DROITE** jusqu'à ce que le symbole de retour arrière (), situé entre les lettres « A » et « B » et les lettres « j » et « k », entre en surbrillance, puis appuyez à nouveau sur **OK**. Sélectionnez (mettez en surbrillance) les caractères alphanumériques souhaités en vous aidant des boutons **GAUCHE** et **DROITE**, puis appuyez sur **OK** après chaque sélection pour la confirmer. Une fois le nom de l'appareil attribué, appuyez sur **MENU** pour sauvegarder le nom dans la mémoire.

Saisie des coordonnées géographiques

Après avoir sélectionné le paramètre Coordinate Input (Saisie des coordonnées géographiques), appuyez sur **HAUT** ou **BAS** pour sélectionner le réglage On (Activé), puis appuyez sur **OK**. Vous pouvez obtenir la latitude et la longitude de l'endroit où vous souhaitez placer le piège photographique sur de nombreux sites, notamment sur : <http://itouchmap.com/latlong.html>. Il vous suffit de saisir un nom de rue à proximité ou un code postal, ou bien d'utiliser les divers types de cartes pour localiser l'endroit exact. Le format que vous devez utiliser pour la saisie des coordonnées géographiques sur l'écran de menu du Core Trail est précisé ci-dessous :

Note : sur Internet, vous pouvez utiliser des coordonnées de latitude et de longitude négatives. Elles désignent les latitudes Sud et les longitudes Ouest. Les États-Unis et le Canada possèdent tous deux des latitudes Nord (+) et des longitudes Ouest (-).

FIXATION et POSITIONNEMENT du Core Trail – Fixation

Après avoir configuré les paramètres de l'appareil selon vos préférences dans votre véhicule ou chez vous, vous pouvez le sortir à l'air libre et déplacer le commutateur principal en position « **ON** ». Si vous utilisez le **Core Trail** à des fins d'observation ou pour tout autre emploi à l'extérieur, vous devez vous assurer de le fixer correctement et solidement.

Nous recommandons de fixer le **Core Trail** au tronc d'un arbre robuste dont le diamètre est d'environ 15 cm (6 pouces). Pour une qualité d'image optimale, cet arbre doit se situer à environ 5 mètres (16-17 pieds) de la zone à surveiller, et l'appareil doit être fixé à environ 1,5-2 mètres du sol (5-6,5 pieds). Par ailleurs, gardez à l'esprit que vous obtiendrez de meilleurs enregistrements la nuit si le sujet se situe dans la zone de portée idéale du flash, c'est-à-dire à moins de 30 mètres ou 100 pieds (pour les modèles 119936C/1198838C) mais à plus de 3 mètres ou 10 pieds de l'appareil.

Il existe deux moyens de fixer le **Core Trail** : en utilisant la sangle ajustable fournie, ou via un trépied.

Utilisation de la sangle ajustable : la *Fig. 5* explique comment utiliser la sangle avec le **Core Trail**. Faites passer une extrémité de la sangle à travers les deux éléments de fixation au dos du **Core Trail**, puis passez l'extrémité de la sangle à travers la boucle. Attachez solidement la sangle autour du tronc d'arbre en tirant fermement l'extrémité de la sangle afin de vous assurer qu'elle est bien tendue. Utilisation d'un trépied : le piège photographique possède un filetage sur le dessous pour vous permettre de le fixer sur un trépied ou tout autre accessoire de montage disposant d'un filetage standard 1/4-20.

Fig. 5 Fixation de la sangle



Note : un panneau solaire (modèle 119756C) est disponible en accessoire comme source d'énergie auxiliaire – veuillez vous rendre sur www.bushnell.com pour plus d'informations.

Test de contrôle de la distance et de détection des angles

Pour vérifier que votre **Core Trail** surveille la zone de votre choix efficacement, nous vous recommandons de réaliser le test de détection des angles et de contrôle de la distance suivant. Vous devez pour cela :

- Déplacer le commutateur principal du **Core Trail** en position **SETUP**.
- Faire des mouvements devant l'appareil à différents endroits dans la zone où vous prévoyez la présence de gibier ou d'un animal à observer, en variant la distance et les angles par rapport à l'appareil.
- Si la DEL d'indication de mouvement clignote, cela indique que votre position est détectée. Si elle ne clignote pas, cela signifie que vous vous situez en dehors de la zone de détection. Les résultats de votre

test vous aideront à déterminer le meilleur placement du **Core Trail** au moment de le fixer et à établir son angle de portée exact. La hauteur de fixation de l'appareil doit également être adaptée à la taille de l'animal observé. En règle générale, une hauteur située entre 1 et 2 mètres (3 et 6 pieds) est convenable.

Vous pouvez éviter les faux déclenchements provoqués par des perturbations de température ou des mouvements insignifiants devant l'appareil en évitant de le placer en direction d'une source de chaleur ou près de branches ou de broussailles (en particulier par temps venteux).

Mise sous tension de l'appareil

Lorsque vous placez le commutateur principal en position **ON**, la DEL (rouge) d'indication de mouvement clignote pendant près de 10 secondes. Cela vous laisse le temps de fermer le volet de protection du **Core Trail** et de vous éloigner. Pendant ce temps, la DEL d'indication de mouvement clignote en rouge sans interruption. Lorsque le clignotement s'arrête, le capteur de mouvement infrarouge passif est actif et tout mouvement qu'il détecte déclenche la prise de photos ou l'enregistrement de vidéos, selon les réglages établis sur le menu **SETUP**. Assurez-vous de bien avoir lu les descriptions concernant les réglages du nombre de prises, des intervalles et du niveau du capteur. Notez également que le capteur de mouvement infrarouge passif est très sensible à la température ambiante. Plus la différence de température entre le milieu environnant et l'animal observé est grande, plus la distance de détection s'étend. La distance moyenne de détection est d'environ 20 mètres (60 pieds).

Avant de laisser l'appareil fonctionner seul, veuillez vérifier ce qui suit :

- La polarité des piles insérées ou de la source d'alimentation CC branchée est-elle bien respectée et le niveau de charge est-il suffisant ?
- La carte SD dispose-t-elle de suffisamment d'espace de stockage et le commutateur de protection en écriture (verrou) est-il bien désactivé ?
- Le commutateur principal est-il en position **ON** (ne le laissez pas sur **SETUP**) ?

ANALYSE/SUPPRESSION DE PHOTOS/VIDÉOS

Après avoir configuré, fixé et activé votre **Core Trail**, vous serez certainement impatient de revenir après un certain temps et d'examiner les images enregistrées. Vous pouvez le faire de différentes manières.

Analyse des images depuis la carte SD directement

C'est la manière de consulter les images la plus fréquemment utilisée. Retirer l'appareil photo pour le brancher à votre ordinateur s'avérant peu pratique, il est souvent plus simple de retirer la carte. Cela présente aussi l'avantage de pouvoir laisser l'appareil en place pour qu'il continue de prendre des photos (à condition que vous remplaciez la carte retirée par une carte vierge), tout en emmenant la carte pleine chez vous ou jusqu'au campement pour consulter les images via un lecteur de carte SD (non fourni) connecté à votre ordinateur (à moins que votre ordinateur ou téléviseur ne possède un logement pour carte SD). Une fois la carte insérée, le lecteur devrait fonctionner similairement à ce qui est décrit ci-dessous. Si vous éprouvez des difficultés à trouver vos fichiers, veuillez lire cette section.

DÉPANNAGE / FAQ

L'appareil prend en permanence des images d'aucun sujet

Si le capteur de mouvement infrarouge passif détecte un mouvement ou une variation de température devant l'objectif de l'appareil alors qu'aucun sujet n'apparaît sur l'image prise, l'appareil est alors victime d'un « faux déclencheur ». Les « faux déclencheurs » sont le résultat d'un mauvais positionnement de l'appareil, par exemple près d'une source de chaleur, une variation de température pouvant être provoquée par un soufflement du vent, ou dans un environnement où les agitations des branches d'arbres peuvent être interprétées comme des mouvements. Le positionnement de l'appareil au-dessus d'un point d'eau peut aussi potentiellement causer ce problème. Pour y remédier :

1. Tentez de déplacer l'appareil dans une zone où ces perturbations potentielles ne sont pas présentes ou changez le niveau du capteur via les réglages du menu.
2. Si l'appareil continue de prendre des photos ne comportant aucun sujet, essayez de le placer dans un espace intérieur en dirigeant le capteur vers un emplacement fixe.
3. Si le problème persiste, il est probable qu'un défaut de fonctionnement d'un composant électronique en soit la cause. Veuillez dans ce cas prendre contact avec notre service client afin de pouvoir envoyer le piège photographique en réparation.

La durée de vie des piles est plus courte que prévu

1. La durée de vie des piles varie selon les températures de fonctionnement et le nombre d'images enregistrées avec le temps. Établir un intervalle de 0,6 seconde réduira leur durée de vie. En règle générale, le **Core Trail** est capable d'enregistrer quelques milliers d'images avant d'épuiser les piles.
2. Assurez-vous de bien utiliser des piles alcalines ou au lithium. Bushnell recommande d'insérer dans votre Core Trail des piles AA au lithium Energizer® afin de profiter d'une durée de vie maximale des piles.
3. Vérifiez que le commutateur principal est bien en position « On » et que vous n'avez pas laissé l'appareil en mode « SETUP » sur le terrain.
4. Veillez à utiliser une carte SD de bonne qualité dans l'appareil. Bushnell recommande l'utilisation de cartes SD SanDisk® n'excédant pas 32 Go (*des séries Ultra® ou Extreme® pour les vidéos en HD*). Selon notre expérience, les cartes SD de mauvaise qualité peuvent parfois réduire la durée de vie des piles de votre **Core Trail**.

L'appareil arrête de prendre des photos ou n'en prend aucune

1. Vérifiez que la carte SD n'est pas pleine. Si c'est le cas, l'appareil ne pourra plus prendre de photos.
2. Vérifiez de bien avoir inséré des piles AA alcalines ou au lithium neuves (*consultez la section précédente pour plus d'informations*).
3. Vérifiez que le commutateur principal est bien en position « **ON** » et que vous n'avez pas laissé l'appareil en mode « **OFF** » ou « **SETUP** ».
4. Veillez à utiliser une carte SD de bonne qualité dans l'appareil. Bushnell recommande l'utilisation de cartes SD SanDisk® n'excédant pas 32 Go (*des séries Ultra® ou Extreme® pour les vidéos en HD*).
5. Si le commutateur de protection en écriture de la carte SD est verrouillé, l'appareil ne prendra aucune photo.
6. Si la carte SD insérée dans le **Core Trail** a déjà été utilisée dans un autre appareil, il peut s'avérer utile de la formater via le paramètre « Format » (« Formater ») sur le mode Setup (veillez à bien sauvegarder les fichiers importants au préalable, le formatage occasionnant la suppression de tous les fichiers). Il se peut que certains dispositifs modifient le formatage de la carte SD, entraînant un mauvais fonctionnement avec le **Core Trail**.

L'appareil ne s'allume pas

1. Assurez-vous d'avoir inséré 8 piles dans le compartiment à piles. Bushnell recommande l'utilisation de piles AA au lithium Energizer® avec votre Core Trail.
2. Veillez à bien avoir respecté la polarité des piles lors de leur insertion. La polarité négative ou « plate » doit toujours entrer en contact avec le ressort à chaque extrémité de chaque logement.
3. Lorsque vous déplacez le commutateur principal de la position « **OFF** » à « **SETUP** » ou « **ON** », veillez à ce qu'il soit bien positionné pour assurer le bon fonctionnement du mode souhaité (évittez de le positionner entre deux modes).
4. Ne faites pas passer le commutateur du mode « **ON** » au mode « **SETUP** » directement. Passez toujours par le mode « **OFF** » avant de placer le commutateur en position « **SETUP** ».

Problèmes de qualité photo/vidéo

1. Les photos/vidéos de nuit sont trop sombres

- a. Vérifiez l'indicateur du niveau de batterie pour vous assurer que les piles sont suffisamment pleines. Le flash arrête de fonctionner lorsque les piles commencent à être épuisées.
- b. Les résultats sont optimaux lorsque le sujet est situé dans la zone de portée idéale du flash, à moins de 24 mètres ou 80 pieds pour les modèles 119876C/119877C et à moins de 30 mètres ou 100 pieds pour les modèles 119874C/119875C. Si le sujet est situé à très grande distance, il peut apparaître trop sombre.
- c. Veuillez noter qu'en cas de réglage du paramètre Capture Number (Nombre de prises) au-delà de « 1 Photo » ou l'établissement d'intervalles très courts, il se peut que certaines images soient plus sombres que d'autres en raison du très faible temps de réponse et du nouveau déclenchement rapide de l'appareil, ce qui laisse moins de temps au flash de se recharger complètement avant d'être de nouveau actif.
- d. Veillez à ce que le réglage de « LED Control » (« Puissance des DEL ») soit établi sur « High » (« Élevée ») pour assurer une puissance maximale. Vérifiez également que « NV Shutter » (« Obturateur de vision nocturne ») sur le menu soit réglé sur « Auto » et pas sur « High », une vitesse d'obturation élevée pouvant générer des images plus sombres.
- e. Le bouclier de protection de l'ARD (dispositif antireflet) peut être retiré afin de maximiser la puissance du flash. Veuillez consulter la page 29 pour plus d'informations.

2. Les photos/vidéos de jour sont trop sombres

Vérifiez que l'appareil n'est pas positionné en direction du soleil ou d'une autre source de lumière pendant la journée, le système d'exposition automatique pouvant produire dans ce cas des résultats plus sombres.

3. Les photos/vidéos de nuit sont trop claires

Si le sujet se situe près de l'appareil (moins de 3 mètres ou 10 pieds), modifiez les réglages de la puissance des DEL sur le menu « SETUP » et choisissez « Medium » (« Moyenne ») ou « Low » (« Faible »). Choisissez également un intervalle de 2 secondes ou plus.

4. Les photos/vidéos de jour sont trop claires

Veillez à ce que le capteur de luminosité ne soit pas assombri (par des feuilles ou branches d'arbre) lorsque l'objectif est dirigé vers une zone éclairée au cours de la journée.

5. Photos avec un sujet présentant des rayures

- a. Dans certaines situations, notamment en cas de faible éclairage et de sujets à mouvements rapides, il se peut que la définition au format 4K ou réglée sur HIGH ne soit pas aussi performante que la haute définition.
- b. Si vous constatez sur plusieurs images que des sujets à mouvements rapides produisent des rayures sur vos photos, essayez le réglage en HD.

- c. Choisissez un intervalle d'au moins 2 secondes pour réduire le flou cinétique.
- d. Réglez « NV Shutter » (« Obturateur de vision nocturne ») sur « High » pour minimiser le flou cinétique.

6. Projection de couleur rouge, verte ou bleue

- a. Sous un certain éclairage, le capteur peut être troublé, ce qui peut engendrer des images au rendu de couleur pauvre.
- b. Si vous constatez ce problème régulièrement, il se peut que le capteur nécessite une réparation.

Veillez dans ce cas contacter le service client de Bushnell.

7. Vidéos trop courtes – la durée d'enregistrement n'est pas celle prévue

- a. Vérifiez que la carte SD n'est pas pleine.
- b. Assurez-vous que les piles sont encore suffisamment pleines. Lorsque les piles commencent à s'épuiser, il se peut que l'appareil enregistre des vidéos plus courtes afin de conserver de l'énergie.

c. Lorsque la puissance des DEL est réglée sur « High » et que l'appareil est en mode Vidéo, la durée d'enregistrement maximale en mode « Dynamic » la nuit est limitée à 15 secondes afin d'éviter une éventuelle surchauffe des piles et/ou des composants électroniques. La durée d'enregistrement maximale possible en mode « Dynamic » la journée peut quant à elle atteindre 2 minutes.

L'empreinte de date/heure n'apparaît pas sur les images

Assurez-vous d'avoir réglé le paramètre « Time Stamp » (« Horodatage ») sur « ON ».

Les photos prises ne sont pas du sujet d'intérêt

- 6. Vérifiez le réglage du paramètre « Sensor Level » (« Niveau du capteur »), qui correspond à la sensibilité du capteur de mouvement infrarouge passif. Pour les températures élevées, réglez le niveau du capteur sur « High » (« Élevée ») et pour les températures basses sur « Low » (« Faible »). Si les températures sont variables, choisissez alors « Auto ».
- 7. Faites de votre mieux pour installer l'appareil à un endroit où aucune source de chaleur n'entre en ligne de mire du capteur.
- 8. Dans certains cas, le placement de l'appareil près d'un point d'eau peut provoquer une prise de photos sans sujet. Tentez de diriger l'appareil vers le sol.
- 9. Évitez de fixer l'appareil sur le tronc de petits arbres qui ont tendance à se laisser balancer par le vent.
- 10. Retirez toute partie de branche se trouvant devant l'objectif de l'appareil.

La DEL du capteur de mouvement infrarouge passif produit un flash/ne produit aucun flash

- 1. Lorsque l'appareil est en mode « SETUP », une DEL spéciale sur la face avant produit un flash lorsqu'un mouvement est détecté. Ce flash n'est émis que dans le cadre de la configuration afin d'aider l'utilisateur à diriger l'appareil.
- 2. Pendant le fonctionnement normal de l'appareil, la DEL ne produit aucun flash lorsqu'une photo est prise pour éviter que l'appareil ne soit détecté par l'animal observé.

Problèmes relatifs à l'écran LCD

- 1. L'écran LCD s'allume mais aucun texte ne s'affiche

- a. Lorsque vous déplacez le commutateur de « Off » à « Setup » ou « On », veillez à ce qu'il ne reste pas entre deux positions pour que le bon mode soit activé (il doit être clairement positionné sur le mode souhaité).
 - b. Ne déplacez pas directement le commutateur de la position « On » à la position « Setup ». Passez toujours par la position « Off » avant de retourner à la position « Setup ».
2. *L'écran LCD affiche une ligne noire fine après être passé du mode « Setup » au mode « On ».* Lorsque vous déplacez le commutateur sur la position « On », l'écran LCD s'éteint. Néanmoins, il peut arriver que cette ligne noire apparaisse avant de disparaître en une petite seconde. Ceci n'a rien d'anormal et n'affecte aucunement le fonctionnement de l'appareil.
 3. *L'écran s'allume puis s'éteint au bout de quelques instants*
Assurez-vous d'avoir inséré la carte SD correctement.

L'appareil ne conserve pas les réglages

Assurez-vous bien de toujours sauvegarder les changements apportés aux paramètres en mode Setup en appuyant sur « OK » après chaque modification. Si vous ne sauvegardez pas la modification d'un paramètre, le piège photographique continuera d'utiliser le réglage par défaut (ou précédemment sauvegardé) de ce paramètre.

De l'humidité ou des fourmis ont pénétré dans l'appareil

1. Pour empêcher toute présence d'humidité ou d'eau de pluie dans l'appareil, veillez à fermer correctement le capuchon de protection du connecteur d'entrée CC.
2. Les fourmis peuvent être attirées par les vibrations électroniques de faible niveau et peuvent pénétrer dans l'appareil via de petits espaces entre l'extérieur et l'intérieur de l'appareil. Assurez-vous de toujours fermer correctement le capuchon de protection du connecteur d'entrée CC.

Le balayage de champ (en accéléré) ne fonctionne pas correctement

1. Veillez à ce que l'heure de début et de fin des balayages de champ « A » et « B » ne se chevauchent pas (par exemple, ne réglez pas le début de « B » à 8 heures si « A » se termine à 10 heures).
2. Lorsque vous utilisez le balayage de champ en mode Vidéo, l'intervalle le plus court autorisé est de 5 minutes afin d'éviter toute surchauffe potentielle des piles et des composants électroniques, ce qui pourrait provoquer une défaillance ou un endommagement de l'appareil. En mode Photo, un intervalle de 1 minute peut être établi.

ATTENTION : N'UTILISEZ PAS L'INTERVALLE de 0,6 secondes pour les vidéos de nuit près d'un nourrisseur ou dans un milieu similaire. Cela peut entraîner un fonctionnement continu des DEL sur une longue période et leur surchauffe, ce qui peut réduire la durée de vie des composants électroniques internes.

N'utilisez pas conjointement des piles usées et neuves.

N'utilisez pas conjointement différents types de piles. Vous devez utiliser EXCLUSIVEMENT des piles alcalines ou EXCLUSIVEMENT des piles au lithium.

Les piles rechargeables sont déconseillées.

CARACTÉRISTIQUES TECHNIQUES

Niveau d'humidité acceptable : entre 5 et 90 %

GARANTIE LIMITÉE DE DEUX ANS

Votre produit Bushnell® est garanti contre tout défaut au niveau des matériaux et de la main-d'œuvre pendant une période de deux ans à compter de la date d'achat. Si le produit s'avère être défectueux dans le cadre de cette garantie, Bushnell s'engage, à sa seule discrétion, à réparer ou remplacer le produit, à condition que vous le renvoyiez par affranchissement port payé.

Cette garantie ne couvre pas les dommages résultant d'une utilisation inadaptée, une manipulation ou une installation non conforme, ou un entretien par toute personne autre qu'un employé autorisé du service après-vente de Bushnell.

Tout retour effectué dans le cadre de cette garantie doit inclure :

- Un chèque/mandat postal d'un montant de 10,00 \$ afin de couvrir les frais postaux et de traitement.
- Votre nom, adresse et numéro de téléphone de jour pour le colis que nous vous enverrons.
- Une description du défaut.
- Une copie de votre preuve d'achat datée.

Envoyez uniquement le produit à réparer, sans aucun accessoire (piles, cartes SD, câbles).

Le produit doit être bien emballé dans une boîte d'expédition solide en carton afin d'éviter tout dommage au cours du transport, et envoyé à l'adresse suivante :

Aux États-Unis, à envoyer à : Au Canada, à envoyer à :
Bushnell Outdoor Products Bushnell Outdoor Products
Attn.: Repairs Attn.: Repairs
9200 Cody 140 Great Gulf Drive, Unit # B
Overland Park, Kansas 66214 Vaughan, Ontario L4K 5W5

Les caractéristiques techniques et le contenu du matériel peuvent être modifiés sans préavis ni obligation de la part du fabricant.

DÉCLARATION DE CONFORMITÉ AUX DIRECTIVES DE LA COMMISSION FÉDÉRALE DES COMMUNICATIONS DES ÉTATS-UNIS (FCC) :

DÉCLARATION RELATIVE À LA FCC

Toute modification non expressément approuvée par Bushnell® peut entraîner la révocation de votre droit d'utilisation de l'équipement.

Note : cet équipement a été testé et jugé conforme aux limites définies pour les appareils numériques de classe B, conformément à la partie 15 de la réglementation de la FCC. Ces limites visent à assurer une protection raisonnable contre les interférences dangereuses en environnement résidentiel. Cet équipement génère, utilise et peut émettre des radiofréquences pouvant provoquer des interférences néfastes aux communications radio en cas d'installation ou d'utilisation contraire aux instructions. Il n'existe cependant aucune garantie que ce matériel ne provoquera aucune interférence dans une installation particulière. Si cet équipement provoque des interférences préjudiciables à la réception radio ou télévisée, ce qui peut être déterminé en le mettant hors tension, puis de nouveau sous tension, l'utilisateur est vivement encouragé à essayer de remédier à ces interférences en ayant recours à une ou plusieurs des mesures suivantes :

- Réorientez ou repositionnez l'antenne de réception.
- Augmentez la distance séparant l'équipement du récepteur.
- Branchez l'équipement à une prise reliée à un circuit différent de celui auquel est relié le récepteur.
- Consultez votre revendeur ou un technicien radio/télévision spécialisé pour obtenir de l'aide.

Utilisez un câble d'interface pour votre équipement afin de ne pas dépasser les limites définies pour les appareils numériques de classe B, conformément à la partie 15 de la réglementation de la FCC. Les caractéristiques techniques et le contenu du matériel peuvent être modifiés sans préavis ni obligation de la part du fabricant.

Cet appareil est conforme à la partie 15 de la réglementation de la FCC. Son utilisation est soumise aux deux conditions suivantes : (1) cet appareil ne doit pas causer d'interférences dangereuses, et (2) cet appareil doit pouvoir résister à toutes les interférences, y compris celles susceptibles d'entraver son bon fonctionnement. Veuillez noter que tout changement ou toute modification non expressément approuvé par la partie responsable de la conformité peut entraîner la révocation de votre droit d'utilisation de l'équipement.



Recyclage d'équipements électriques et électroniques
(applicable au sein de l'UE et dans les pays européens possédant des systèmes de collecte distincts)

Cet équipement contient des composants électriques et/ou électroniques et ne doit pas être jeté avec les ordures ménagères. Veuillez le déposer dans le site de collecte mis à votre disposition par la collectivité en vue de son recyclage, ce qui n'engage aucun frais de votre part.

Si cet équipement contient des piles échangeables (rechargeables), elles aussi doivent être retirées au préalable et si nécessaire être jetées selon la réglementation locale en vigueur (veuillez également consulter les commentaires contenus dans ce manuel à ce sujet).

Pour plus d'informations, veuillez contacter votre mairie, le service de collecte des déchets, ou le magasin dans lequel vous avez acheté cet équipement.

Pour toute question ou renseignement complémentaire, veuillez contacter :

Bushnell Outdoor Products
9200 Cody, Overland Park, Kansas 66214
800 423-3537 • www.bushnell.com

©2020 Bushnell Outdoor Products

Bushnell®



CORE™

CORE™ DS
DUAL SENSOR
THE DIFFERENCE IS NIGHT AND DAY

Manual de instrucciones

Model #: 119936C / 119938C / 119975C / 119977C

Spanish / Espanol / Español / spagnolo / Spaans

Guía de inicio rápido (119936C/119938C/119975C/119977C)

Para obtener el manual de instrucciones completo, visite: www.bushnell.com

Para empezar a usar su cámara de marcha Bushnell:

11. Instale 6 pilas AA (de litio* o alcalinas) y una tarjeta SD (hasta un máximo de 512 GB).
*se recomiendan las baterías de litio
12. En el lugar donde va a colocar la cámara, enciéndala.
13. Monte la cámara con la correa del árbol.
14. Su cámara ya está lista para su uso con los ajustes por defecto: modo fotográfico, intervalo de 10 segundos entre fotos, resoluciones de 3 MP.
15. ¿La configuración predeterminada se puede adaptar a sus preferencias (por ejemplo, si prefiere capturar vídeos o fotos con una resolución diferente, con mayor separación) utilizando la pantalla de la cámara?

(consulte el manual completo en www.bushnell.com para más detalles)

Servicio de atención al cliente: 800-423-3537

www.bushnell.com

AVISO IMPORTANTE

¡Enhorabuena por haber comprado una de las mejores cámaras de marcha del mercado! Bushnell está muy orgulloso de esta cámara y estamos seguros de que usted también estará satisfecho con ella. Apreciamos a su empresa y queremos ganarnos su confianza. Por favor, consulte las notas que aparecen a continuación y las instrucciones de este manual para asegurarse de que está completamente satisfecho con este producto.

Si su cámara de marcha Bushnell Core no parece estar funcionando correctamente o si tiene problemas con la calidad de las fotos o del vídeo, **por favor, consulte la sección de resolución de problemas/preguntas frecuentes en las páginas 79-83.**

Los problemas suelen deberse a algo simple que se pasó por alto o que solo exige cambiar una configuración para su resolución.

Si su problema continúa después de probar las soluciones en la sección de resolución de problemas/preguntas frecuentes, **por favor, llame al servicio de atención al cliente de Bushnell al (800) 423-3537.** En Canadá, llame al (800) 361-5702.

No mezcle pilas viejas y nuevas

No mezcle tipos de pilas: utilice TODAS de litio o TODAS alcalinas.

Bushnell recomienda utilizar tarjetas SDHC SanDisk® de clase 6 o superior (hasta 32 GB de capacidad) en su cámara de marcha Core.

INTRODUCCIÓN

Acerca de la cámara de marcha Core

La **cámara de marcha Core** de Bushnell es una cámara de exploración digital. Se puede activar mediante cualquier movimiento de las piezas de caza en un lugar, detectado por un sensor de movimiento de infrarrojos pasivos (IRP) de alta sensibilidad y, a continuación, tomar fotografías de alta calidad (de hasta 24 o 30 MP) o extractos de vídeo.

La **cámara de marcha Trail** consume muy poca energía (menos de 0,08 mA) en estado de espera (vigilancia). Esto significa que puede ofrecer hasta seis meses de funcionamiento en modo de espera cuando el dispositivo recibe la capacidad total de las pilas alcalinas AA, y hasta doce meses cuando utiliza pilas AA de litio. Una vez que se detecta movimiento en el área supervisada, la unidad de la cámara digital se activará de inmediato (normalmente en medio segundo) y luego toma automáticamente fotos o vídeos de acuerdo con los ajustes previamente programados. La **cámara de marcha Core** está equipada con LED infrarrojos incorporados que funcionan como un flash, de modo que proporciona fotos o vídeos claros (en blanco y negro) incluso en la oscuridad, y puede tomar fotos o vídeos a color con suficiente luz del día. La **cámara de marcha Core** está diseñada para uso en exteriores y es resistente al agua y a la nieve.

Su cámara de marcha es una de las cámaras de última generación de la **cámara de marcha Core** de Bushnell.

Cámaras de marcha Core, e incluye muchas características nuevas o mejoradas, entre ellas:

- **Doble sensor (solo 119975C/119977C):** la cámara tiene dos sensores para capturar las imágenes de mejor calidad tanto de día como de noche.
- **Sensibilidad de IRP automática:** la cámara supervisa las condiciones de temperatura ambiente y ajusta automáticamente la señal del sensor/disparador para que sea más sensible a ligeras variaciones de temperatura en los días calurosos y menos sensible en los días fríos.
- **Bandeja de baterías extraíble:** bandeja de baterías reemplazable para poder cambiar las baterías con facilidad y rapidez. Cierre integrado para evitar que la bandeja se caiga de la cámara.
- **Capacidad de geotiquetado GPS:** permite al usuario introducir la longitud y la latitud de la posición de la cámara, que se incorporará a cada archivo fotográfico. Esto permite que Google Earth, Picassa y otros programas habilitados para geotiquetado muestren automáticamente un mapa que identifique la ubicación de cada cámara cuando se revise un grupo de fotos en un ordenador. Especialmente útil para quienes configuran múltiples **cámaras de marcha Core** para supervisar áreas grandes o muy separadas.
- **Modo de flash múltiple (control LED):** evita la sobreexposición de las fotos con flash a corta distancia.
- **Modo de captura híbrido:** permite capturar tanto fotos como vídeos en cada disparo, con una configuración de máxima resolución para cada uno de ellos.
- **Obturador NV:** el usuario puede seleccionar la velocidad de obturación de las imágenes capturadas por la noche, lo que permite controlar el brillo y la capacidad de detener el movimiento.
- **El modo de funcionamiento de la cámara** puede limitarse a solo día, solo noche o 24 horas.
- **Modos preestablecidos** para aplicaciones de alimentadores, senderos y parcelas de alimentos.
- **El modo de vídeo dinámico** utiliza la duración de la actividad de los animales para determinar la longitud del archivo capturado, de modo que el vídeo no se detenga justo cuando las cosas se ponen interesantes.

Y muchas más funciones como vídeo con audio, velocidad de disparo de 0,2 segundos y tiempo de recuperación de 0,6 segundos (fotos fijas), fotos fijas en formato panorámico o de pantalla completa, nombre de la cámara imprimible (conjunto de usuarios) junto con los datos actuales, entre los que se incluyen la temperatura y la fase de la luna.

Aplicaciones

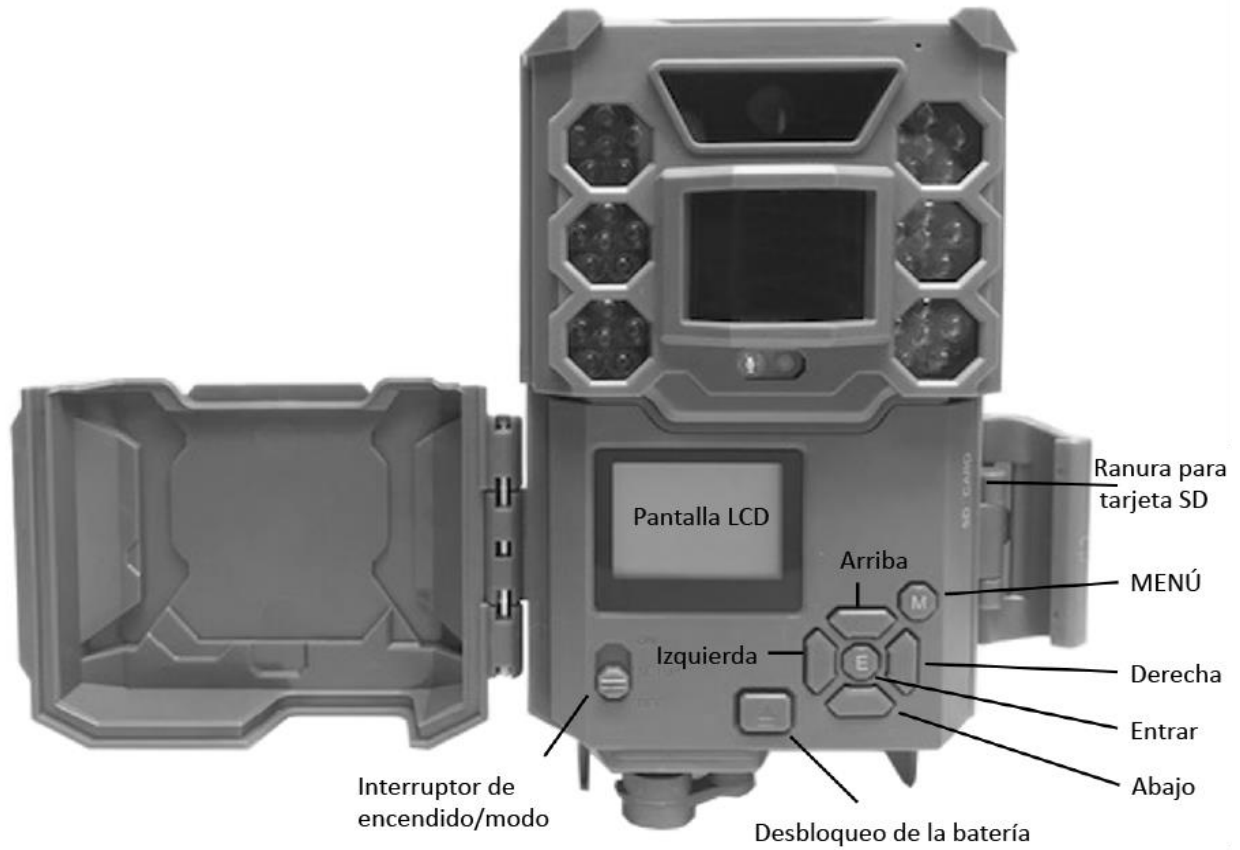
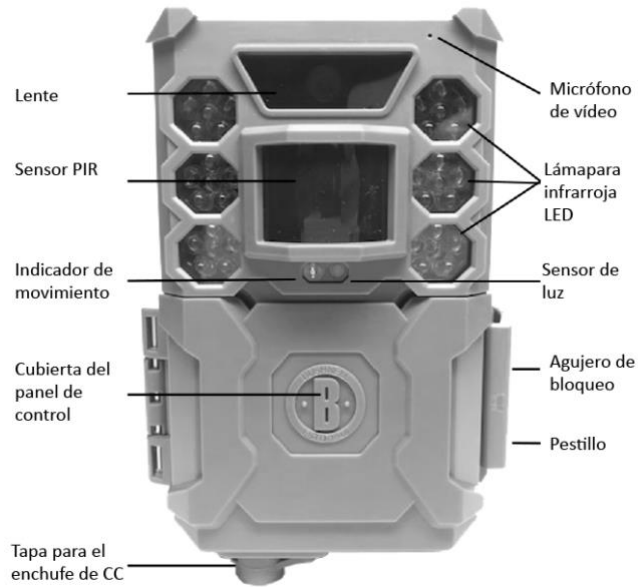
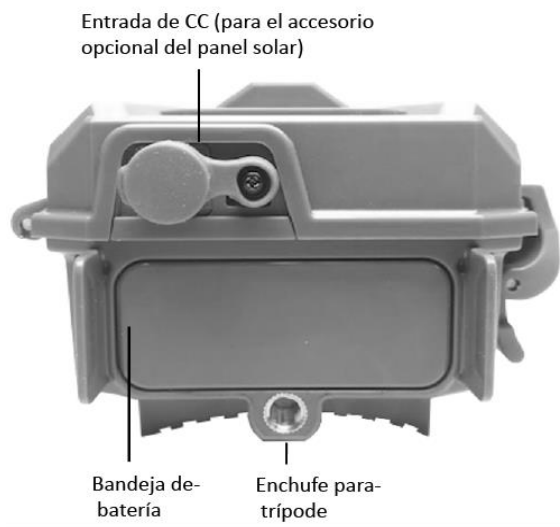
La **cámara de marcha Core** se puede utilizar como cámara de marcha para la caza o la exploración. También es adecuada para su uso en vigilancia.

PIEZAS Y CONTROLES

La **cámara de marcha Core** proporciona las siguientes conexiones para dispositivos externos: Puerto USB, ranura para tarjeta SD y alimentación externa de CC (*pág. 6, Fig. 1*).

Se utiliza un interruptor de encendido de tres vías para seleccionar los principales modos de funcionamiento: **APAGADO, CONFIGURACIÓN y ENCENDIDO** (*pág. 6, Fig. 2*).

Se utiliza principalmente una interfaz D-Pad con cinco teclas en el modo CONFIGURACIÓN para seleccionar funciones y parámetros operativos. Como se muestra en la página siguiente, estas teclas son: ARRIBA, ABAJO, IZQUIERDA, DERECHA, OK e INTRO. Tres de las teclas también pueden realizar una segunda función (operaciones de acceso directo en el modo **CONFIGURACIÓN**) además de su función principal: La tecla ABAJO se puede utilizar para ajustar la cámara al modo Fotografía (icono de cámara fija), y la tecla ARRIBA puede ajustar la cámara al modo Vídeo (icono de cámara de vídeo). La tecla DERECHA también sirve como botón del obturador manual ("DISPARO") de la cámara. Estas funciones secundarias se indican mediante iconos o texto encima de la tecla, como se muestra en la página siguiente.



INSTALACIÓN DE LAS BATERÍAS Y DE LA TARJETA SD

Antes de comenzar a aprender a usar la **cámara de marcha Core**, primero tendrá que instalar un conjunto de baterías e insertar una tarjeta SD. Aunque esto solo le llevará un minuto, hay algunas indicaciones importantes sobre las baterías y las tarjetas SD que debe tener en cuenta, así que tómese su tiempo para leer las siguientes instrucciones y precauciones:

Carga de las baterías

Después de abrir el pestillo en el lado derecho de la cámara de marcha Core, verá que **la cámara de marcha Core** tiene un botón de liberación de la batería. Presione este botón y la bandeja de la batería caerá de la parte inferior de la cámara. La bandeja de la batería se detendrá alrededor de ½ pulgada fuera del dispositivo; se trata de un sistema de cierre para evitar que la bandeja se caiga al suelo. Simplemente aplique un poco de presión al tirar y la bandeja se soltará. La bandeja de la batería tiene seis ranuras para baterías. Instale un juego completo de seis pilas. Asegúrese de insertar cada batería con la polaridad correcta (extremo negativo o "plano" contra el resorte largo de cada ranura de la batería).

Bushnell recomienda utilizar un juego completo de pilas AA de litio (marca Energizer®) o pilas AA alcalinas nuevas. No se recomiendan las baterías recargables de NiMh, ya que el bajo voltaje que producen puede causar problemas de funcionamiento.



También puede conectar un accesorio opcional de panel solar (*modelo 119756C –visite www.bushnell.com para más información*) a la toma "entrada de CC" situada en la parte inferior de la **cámara de marcha Core** (*no deben utilizarse otras fuentes de alimentación externas, ya que es posible que la cámara o la pantalla no funcionen correctamente*). Si el panel solar está conectado y se instalan pilas AA, a la **cámara de marcha Core** la alimentará la batería recargable de iones de litio del panel solar, siempre y cuando proporcione el voltaje adecuado (si no, la cámara cambiará a la energía de la batería). La batería del panel solar alimentará la cámara por la noche.

Inserción de la tarjeta SD

Inserte la tarjeta SD (con el interruptor de alimentación de la cámara en la posición **APAGADO**) antes de comenzar a utilizar la cámara. No inserte ni extraiga la tarjeta SD cuando el interruptor de alimentación esté en la posición **ENCENDIDO**.

La **cámara de marcha Core** utiliza una tarjeta de memoria SD (Secure Digital) estándar para guardar fotos (en formato .jpg) o vídeos (en formato .mp4). Se admiten tarjetas SD y SDHC (alta capacidad) con una capacidad máxima de 32 GB. Se recomienda el uso de tarjetas SD de alta velocidad (SanDisk® SDHC clase 6 o superior) si va a utilizar la configuración de vídeo de 1280 x 720 o 1920 x 1080. Antes de insertar la tarjeta SD en la ranura para tarjetas después de abrir la tapa frontal de la cámara, asegúrese de que el interruptor de protección contra escritura situado en el lateral de la tarjeta esté "apagado" (NO en la posición "Bloqueado"). A continuación se describe cómo insertar y extraer la tarjeta SD:

- Inserte la tarjeta SD en la ranura para tarjetas con el lado de la etiqueta hacia arriba (véase *más abajo*). Un sonido de "clic" indica que la tarjeta se ha instalado correctamente. Si el lado incorrecto de la tarjeta está hacia arriba, no podrá insertarla sin hacer fuerza; solo hay una forma correcta de insertar las tarjetas. Si la tarjeta SD no está correctamente instalada, el dispositivo no mostrará un icono de tarjeta SD en la pantalla LCD en el modo CONFIGURACIÓN (*el icono de tarjeta SD que aparece después de cambiar al modo CONFIGURACIÓN tendrá un símbolo de "candado" dentro de la misma si la tarjeta está bloqueada*). Se recomienda formatear la tarjeta SD utilizando el parámetro "Formato" de la **cámara de marcha Core** antes de utilizarla por primera vez, especialmente cuando se haya utilizado una tarjeta en otros dispositivos (véase la página 23, "Formato" para más detalles).
- Para extraer la tarjeta SD, simplemente empuje suavemente la tarjeta (no intente extraerla sin haberla introducido antes). La tarjeta se libera de la ranura y está lista para ser extraída cuando oiga el clic. **ADVERTENCIA:** *Asegúrese de que la cámara esté APAGADA antes de insertar o retirar las tarjetas SD o las pilas.*



USO DE LA CÁMARA DE MARCHA CORE

Una vez que haya preparado su **cámara de marcha Core** mediante la instalación adecuada de baterías y una tarjeta SD, podrá llevarla al exterior, amarrarla a un árbol, encenderla y dejarla, y es posible que obtenga algunas fotos fantásticas que son exactamente lo que quería.

Sin embargo, recomendamos encarecidamente que primero pase algún tiempo adicional en el interior con este manual y su cámara hasta que sepa un poco más acerca de lo que hacen el interruptor de tres vías y las teclas de dirección. Si no hay nada más, probablemente querrá al menos fijar la fecha y la hora

para que la cámara las imprima (o no, es su elección) en sus fotos a medida que se toman, aprender a configurar la cámara para que grabe secuencias de vídeo en lugar de fotos fijas, si lo desea, y leer algunos consejos sobre cómo montarla en un árbol.

LOS MODOS DE APAGADO, ENCENDIDO Y CONFIGURACIÓN

La cámara de marcha Core tiene tres modos de funcionamiento básicos:

- Modo **APAGADO**: Interruptor de encendido en la posición **APAGADO**.
- Modo **ENCENDIDO**: Interruptor de encendido en la posición **ENCENDIDO**.
- Modo **CONFIGURACIÓN**: Interruptor de encendido en la posición **CONFIGURACIÓN** (la pantalla LCD está encendida).

MODO DESACTIVADO

El modo **DESACTIVADO** es el modo "seguro" cuando se deben tomar medidas, por ejemplo, reemplazar la tarjeta SD o las baterías, o transportar el dispositivo. También utilizará el modo **DESACTIVADO** si conecta la cámara al puerto USB de un ordenador más tarde para descargar sus fotos/vídeos. Y por supuesto, cuando tenga la cámara almacenada o no la utilice, la **apagará**. Tenga en cuenta que incluso en el modo **DESACTIVADO**, la cámara de marcha Core sigue consumiendo energía a un nivel muy bajo. Por lo tanto, es una buena idea sacar las pilas del compartimento si la cámara no se va a utilizar durante mucho tiempo.

MODO ENCENDIDO

En cualquier momento después de insertar las pilas y la tarjeta SD, puede encender la cámara. Cuando el interruptor de encendido se mueva a la posición superior, la cámara entrará en el modo **ENCENDIDO** (directo). El LED indicador de movimiento (*pág. 6, "vista frontal"*) parpadeará en rojo durante unos 10 segundos. Este intervalo permite que cierre la cubierta frontal de la cámara de marcha Core, la bloquee y abandone la zona supervisada. Una vez en el modo **ENCENDIDO**, no se necesitan ni son posibles los controles manuales (las teclas de control no tienen ningún efecto). La cámara de marcha Core tomará fotos o vídeos automáticamente (de acuerdo con la configuración de sus parámetros actuales) cuando la active la detección de actividad del sensor IRP en el área que cubre.

Puede mover el interruptor de encendido directamente del modo APAGADO al modo ENCENDIDO, o detenerse primero en la posición de CONFIGURACIÓN para cambiar una o más configuraciones, y luego mover el interruptor a ENCENDIDO después de que haya terminado de hacerlo.

MODO DE CONFIGURACIÓN

En el modo de **CONFIGURACIÓN** puede comprobar y cambiar la configuración de las cámaras de marcha Core con la ayuda de su pantalla LCD incorporada. Estos ajustes, que se encuentran en el menú CONFIGURACIÓN, le permiten cambiar la resolución de la foto o del vídeo, el intervalo entre las fotos, activar la impresión de la hora, etc. Al mover el interruptor de encendido a la posición de **CONFIGURACIÓN** se encenderá la pantalla LCD, y verá una pantalla de información que le mostrará cuántas imágenes se han tomado, el nivel de la batería, la cámara o el modo de vídeo, etc. (*Fig. 3, página siguiente*).

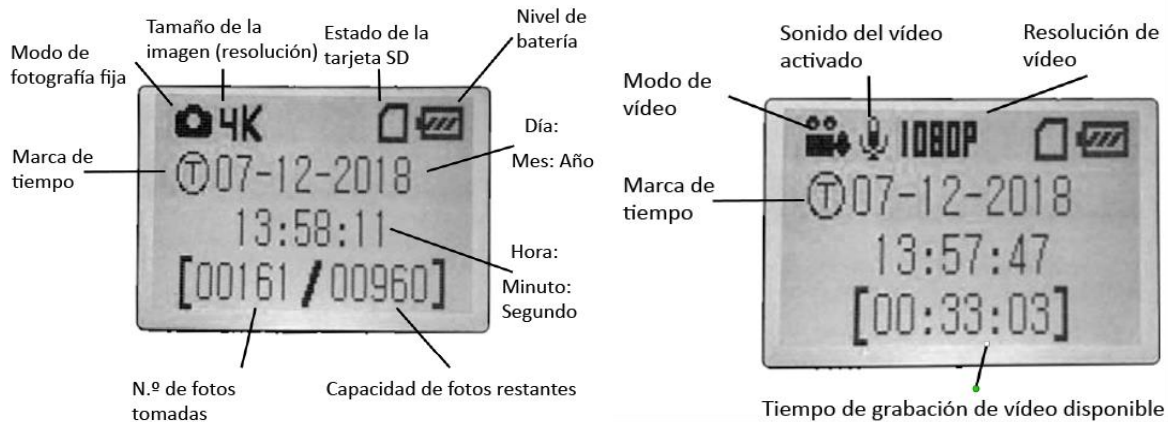
NOTA: Mueva siempre el interruptor de encendido del modo **DESACTIVADO** al modo **CONFIGURACIÓN**. Es posible que la cámara se bloquee si se cambia del modo **ACTIVADO** al modo **CONFIGURACIÓN**. Si esto ocurre, simplemente mueva el interruptor a la posición **DESACTIVADO** y luego empújelo hacia arriba a **CONFIGURACIÓN** de nuevo.

Teclas de acceso directo/Funciones del modo CONFIGURACIÓN

Como se mencionó anteriormente en "Piezas y controles", cuatro de las teclas de dirección junto a la pantalla LCD tienen funciones secundarias de "acceso directo" cuando la cámara cambia al modo **CONFIGURACIÓN** (pero no se ha pulsado la tecla **MENÚ**):

- Pulse la tecla **ARRIBA** para ajustar rápidamente la cámara para la grabación de secuencias de vídeo.
- Pulse la tecla **ABAJO** para ajustar rápidamente la cámara para tomar fotos fijas.
- Pulse la tecla **DERECHA** para activar manualmente el obturador. Esto es útil para probar la cámara: asegúrese de que se encuentra en el modo **CONFIGURACIÓN**, pulse la tecla **DERECHA** y, unos segundos más tarde, se guardará una foto o un vídeo (dependiendo de cómo se haya configurado la cámara) en la tarjeta SD (o en la memoria interna si no hay ninguna tarjeta insertada). El contador de "número de imágenes tomadas" en la parte inferior izquierda de la pantalla LCD se incrementará en uno. Si la pantalla indica "SD BLOQUEADA" al pulsar la tecla DISPARO, apague la cámara, extraiga la tarjeta SD y desactive el interruptor de bloqueo.

Fig. 3: Pantalla de información de CONFIGURACIÓN (119936C/119938C)



USAR EL MENÚ DE CONFIGURACIÓN PARA CAMBIAR LOS AJUSTES

El propósito principal del modo **CONFIGURACIÓN** es permitirle cambiar los ajustes de los parámetros de la cámara (*los parámetros disponibles varían con el uso de ajustes preestablecidos: consulte la pág. 18 para más detalles*) para que su **cámara de marcha Core** funcione exactamente como usted desea. Para ello, entre en el menú **CONFIGURACIÓN** y pulse las teclas situadas junto a la pantalla LCD, que le mostrarán cada parámetro y su configuración.

Cambio de los ajustes de parámetros en el modo CONFIGURACIÓN

Se incluye una amplia gama de opciones o "parámetros" para que pueda ajustar la **cámara de marcha Core** a sus preferencias operativas. Para cambiar el ajuste de cualquier parámetro, primero debe cambiar al modo **CONFIGURACIÓN**. Una vez en el modo **CONFIGURACIÓN**, si pulsa el botón **MENÚ**, podrá seleccionar cualquier parámetro y cambiar su configuración. El nombre del parámetro y su configuración actual se mostrarán en la pantalla LCD.

Si pulsa la tecla **DERECHA** o **IZQUIERDA** se desplaza al parámetro siguiente o anterior (tecla **DERECHA** para pasar al parámetro siguiente y tecla **IZQUIERDA** para volver al parámetro anterior), y si pulsa la tecla **ARRIBA** o **ABAJO** podrá seleccionar un ajuste diferente para el parámetro que se muestra

actualmente. Una vez que haya seleccionado la nueva configuración preferida para un parámetro, pulse el botón **INTRODUCIR** para guardar la nueva configuración (en realidad, cambiarla). Cuando haya terminado de cambiar los ajustes de uno o más parámetros, pulse **MENÚ** de nuevo para salir del menú **CONFIGURACIÓN**. También se puede pulsar **MENÚ** en cualquier momento en que se desee cancelar el cambio del ajuste de un parámetro después de que se haya seleccionado un nuevo ajuste (pero aún no se haya pulsado OK). Después de ajustar los parámetros a sus preferencias, asegúrese de poner el interruptor en **ENCENDIDO** para comenzar a tomar fotos o vídeos. No se capturará ninguna imagen si el interruptor se deja en la posición **CONFIGURACIÓN** (a menos que pulse la tecla **DERECHA/Disparo** después de salir del menú); de hecho, la cámara se apagará automáticamente después de unos pocos minutos sin pulsar ninguna tecla.

Visualización de los ajustes de parámetros

Los ajustes de cada parámetro se muestran en la pantalla de su **cámara de marcha Core**.

Solo se muestra un ajuste a la vez, comenzando con el ajuste actual del parámetro cuando se selecciona por primera vez (pág.

13, Fig. 4a). Para cambiar el ajuste, utilice las teclas ARRIBA/ABAJO para visualizar el nuevo ajuste que desee (Fig. 4b) y, a continuación, pulse INTRO para "Ejecutar" (realice el cambio real a este ajuste).

Si desea confirmar que este ajuste es el actual, solo tiene que pulsar la tecla **DERECHA** para desplazarse al siguiente parámetro y, a continuación, pulsar **IZQUIERDA** para volver al anterior.

Debería ver el ajuste de parámetros que acaba de realizar.

Fig. 4 Selección de los ajustes de parámetros

Pulse Menú



(4A)

Pulse Abajo



(4B)

Pulse OK

EJEMPLOS: Cambiar los ajustes de algunos parámetros comunes

A continuación encontrará tablas con todos los parámetros que se encuentran en el menú **CONFIGURACIÓN**, junto con sus posibles ajustes (o rango de ajustes), y una descripción detallada de lo que controla el parámetro y lo que hacen los ajustes.

Si lee la sección anterior que detalla cómo seleccionar los parámetros y cambiar sus ajustes, podrá sumergirse de lleno, encontrar el(los) parámetro(s) que desea y configurar la cámara para que se adapte a sus preferencias.

Pero tal vez prefiera repasar primero uno o dos ejemplos:

Para cambiar el ajuste de cualquier parámetro, siempre comience con el interruptor de encendido en la posición **CONFIGURACIÓN**.

Después de que la pantalla LCD se encienda, pulse la tecla **MENÚ**.

El primer parámetro que verá cuando entre en el menú **CONFIGURACIÓN** es "Ajustar reloj".

Como la función de marca de tiempo está activada de forma predeterminada, la cámara normalmente imprimirá la fecha y la hora en cada foto o vídeo, en función de la configuración que haya establecido aquí.

Pulse **INTRO** y utilice las teclas **ARRIBA/ABAJO** para ajustar la hora (formato de 24 horas, "00" = medianoche, "12" = mediodía) y, a continuación, pulse la tecla **DERECHA** para desplazarse hasta el campo de los minutos y ajustarlo (de nuevo mediante **ARRIBA/ABAJO**).

Pulse **DERECHA** para pasar a la fila inferior y ajuste el año, el mes y la fecha utilizando el mismo método. Cuando haya terminado, pulse la tecla **INTRO** para confirmar los nuevos ajustes de hora y fecha que ha realizado.

Ahora pulse la tecla **DERECHA** una vez para pasar a otro parámetro en el menú.

El parámetro que verá es "Modo".

Para cambiar de su ajuste predeterminado de "Cámara" (fotos fijas) a "Vídeo" (grabar secuencias de vídeo), pulse la tecla **ABAJO** para seleccionar el ajuste "Vídeo".

Pulse la tecla **INTRO** para "Ejecutar" (definir) el nuevo ajuste que ha seleccionado para este parámetro.

Ahora pulse la tecla **DERECHA** para pasar a otro parámetro en el menú.

Si lo pulsa tres veces, llegará al "Tamaño de vídeo".

Intente utilizar las teclas **ARRIBA y ABAJO** para desplazarse por el rango de ajustes y, a continuación, pulse **INTRO** para bloquear la configuración de la resolución de cada secuencia de vídeo que grabe la cámara.

Si pulsa la tecla **DERECHA** varias veces más, llegará al parámetro "Ajuste por defecto".

Resalte o seleccione "Ejecutar" (con las teclas **ARRIBA o ABAJO**) y pulse **INTRO** para restaurar todos los parámetros (incluidos los parámetros de modo y tamaño de vídeo que cambió hace un minuto) a sus

valores predeterminados de fábrica originales.

Los ajustes por defecto de cada parámetro se indican en negrita en las tablas del menú **CONFIGURACIÓN** de las páginas siguientes.

Exploración de campo x2 con función de disparo en directo

La exploración de campo es una nueva y revolucionaria característica para la **cámara de ruta Core** de Bushnell, que le permite supervisar las superficies de alimentos o los bordes de los campos con imágenes o vídeos de lapsos de tiempo.

Cuando se ajusta a "encendido", la **cámara de ruta Core** tomará una foto (o grabará una secuencia de vídeo) automáticamente a intervalos que usted elija (por ejemplo, una vez cada cinco minutos) durante uno o dos bloques de tiempo que haya configurado para cada día, **sin necesidad de un disparador de un animal activo**. Esto tiene la ventaja de darle la capacidad de supervisar el borde de un campo que podría estar a 50 o 150 yardas de la cámara, fuera del alcance del sensor IRP.

El resultado es un alcance efectivo mucho mayor de lo que sería normalmente, con una cámara que depende de los activadores generados por los animales cercanos.

Esta es una excelente herramienta para que los cazadores exploren un campo entero con una sola cámara.

Si un animal entra en la zona cubierta por el sensor IRP y genera un evento de activación durante un tiempo entre los intervalos de exploración de campo que haya establecido, la cámara capturará una imagen o un vídeo tal y como lo haría normalmente, basándose en la configuración de sus otros menús.

A continuación se explica cómo configurar y utilizar la exploración de campo (asegúrese de haber configurado primero la hora actual en "Ajustar reloj", para que la grabación de la exploración de campo se detenga y se inicie a las horas correctas del día):

1. 1. Ponga el interruptor principal en **CONFIGURACIÓN** y, a continuación, pulse el botón **MENÚ**.

2. Siga presionando la tecla DERECHA, pasando por el menú de configuración hasta que llegue a

Exploración de campo

3. Pulse la tecla **ARRIBA** para seleccionar Activado y pulse **Aceptar** (*paso 1, pág. 17*).

Verá "A", que representa el primer bloque de tiempo que puede definir (también puede configurar un segundo bloque de tiempo más tarde en el día, "B" si lo desea).

Pulse **OK** (paso 2).

Esto le lleva a la pantalla para fijar las horas de comienzo y fin, que determinan las horas en las que el primer bloque de grabación de exploración de campo comenzará y terminará para cada día.

Puede ajustar estas horas a la hora y los minutos exactos que desee, para lograr una "ventana" de grabación que dure desde solo un minuto hasta 24 horas completas.

4. Ajuste las horas de [Inicio] y [Fin], comenzando con la hora de inicio, usando las teclas **ARRIBA/ABAJO** para cambiar el ajuste (Paso 3).

El ajuste de la hora se basa en un reloj de 24 horas, con "00" horas = medianoche, "12" horas =

mediodía, "23" horas = 11 PM, etc.

Para pasar a la siguiente configuración, pulse la tecla **DERECHA**, cambie el minuto de la hora de inicio con las teclas **ARRIBA/ABAJO** y, a continuación, pase a los ajustes de hora y minuto de la hora de parada.

5. Cuando termine de configurar los minutos de parada, pulse OK para confirmar su configuración para el primer bloque de la grabación de exploración de campo.

Si lo desea, puede crear un segundo bloque de tiempo pulsando la tecla **ABAJO** para seleccionar "B" (*Paso 4*), luego pulse **OK** y siga el mismo proceso para establecer las horas de Inicio y Fin para el bloque de exploración de campo "B" (*Paso 5*).

Como ejemplo de cómo puede utilizar estos dos bloques de tiempo disponibles, puede configurar el bloque de tiempo de exploración de campo "A" para las horas de las 6 a las 8 de la mañana, y el bloque "B" para capturar imágenes entre las 17:30 y las 19:00 de la tarde.

No se realizaría ninguna grabación de exploración de campo de las 8 de la mañana a las 17:30 o de las 19:00 a las 6:00 de la mañana.

6. Después de ajustar los tiempos de Inicio/Fin para definir el bloque de exploración de campo "A" y/o "B", pulse **OK**, luego pulse la tecla **ARRIBA o ABAJO** para seleccionar "Intervalo" y pulse **OK** (*paso 6*).

El ajuste "Intervalo" de exploración de campo le permite controlar la frecuencia con la que se graba una foto o una secuencia de vídeo durante el bloque o bloques de tiempo que ha definido con los ajustes de inicio y fin.

Sus opciones son 60 minutos, 30 minutos, 15 minutos, 5 minutos (*configuración predeterminada, también el intervalo más bajo en el modo de vídeo*) o 1 minuto (*solo en el modo de fotografía fija*).

Use las teclas **ARRIBA/ABAJO** para seleccionar su preferencia, luego presione OK para guardarla (*Paso 7*).

Tenga en cuenta que para los vídeos, "Intervalo" es independiente de la duración de cada grabación de vídeo: es **la frecuencia** con la que se graban los vídeos, no la duración de cada uno.

7. A continuación se muestra un ejemplo de cómo funcionaría la cámara, basado en lo siguiente

Ajustes de la exploración de campo:

Exploración de campo: Encendida

Exploración de campo A:

[Inicio]: 6:00

[Fin]:

8:00

Exploración de campo B:

[Inicio]: 17:30

[Fin]:

19:00

Intervalo: 15M

Nota: evite cualquier "solapamiento" de los bloques de registro de exploración de campo A y B al establecer sus horas de inicio y de parada, para asegurar un funcionamiento correcto.

Además, si el parámetro del menú "Modo Cámara" está ajustado a la operación "Día" o "Noche" solamente, esto tendrá prioridad sobre la configuración de su exploración de campo.

Ajuste el modelo de cámara a "24 HR" si está configurando las horas de inicio o parada diurnas y nocturnas en la exploración de campo.

Estos ajustes harían que la cámara capturara una foto (o video, si la cámara está en ese modo) una vez cada 15 minutos, comenzando a las 6 de la mañana, hasta que el bloque de grabación de la exploración de campo "A" se detenga a las 8:00 de la mañana.

Más tarde ese mismo día, la cámara tomaría una foto o video cada 15 minutos entre las 17:30 y las 19:00 horas (durante el bloque de tiempo "B" de la exploración de campo).

Al día siguiente, la cámara volvería a grabar una imagen o vídeo una vez cada 15 minutos entre las 6:00 y las 8:00 de la mañana, y entre las 17:30 y las 19:00.

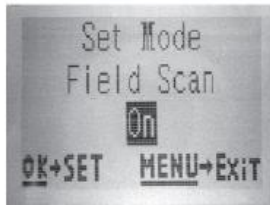
No se realizaría ninguna grabación de exploración de campo de las 8 de la mañana a las 17:30 o de las 19:00 a las 6:00 de la mañana.

Recuerde, la grabación de la exploración de campo es independiente de los activadores normales debido a la actividad de los animales: incluso si no entran animales,

la zona de cobertura del sensor de infrarrojos seguirá capturando una imagen o vídeo cada 15 minutos durante el bloque o bloques de tiempo.

Si un animal activa la cámara "entre" los intervalos de 15 minutos, se grabará.

Nota: Las configuraciones de exploración de campo de intervalos frecuentes o períodos prolongados entre la hora de inicio y la de parada pueden reducir la vida útil de la batería.



[Paso 1]: poner el modo de exploración de campo en "Encendido".

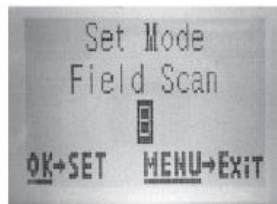


[Paso 2]: seleccionar la exploración de campo "A" (pulse OK)



[Paso 3]: definir el inicio y la finalización de la exploración de campo "A" [Step 3]- set Field Scan "A" Stop & Start

Los pasos 4 y 5 son opcionales (solo son necesarios si desea configurar un segundo bloque de grabación de exploración de campo con diferentes horas de inicio y de finalización).



[Paso 4] (optar por) seleccionar la exploración de campo "B" (pulse OK)



[Paso 5]: (optar por) seleccionar el inicio y la finalización de la exploración de campo "B"

Nota: El ajuste de intervalos establece la sincronización entre cada imagen para los bloques de grabación de exploración de campo "A" y "B".



[Paso 6]: seleccionar el "intervalo" de exploración de campo.



[Paso 7]: ajustar el intervalo de exploración de campo

El menú CONFIGURACIÓN: lista de parámetros y ajustes con descripciones

Parámetro	Ajustes (Negrita=por defecto)	Descripción
Ajustar reloj	(Ajustar)	Pulse OK y utilice las teclas ARRIBA/ABAJO (para cambiar el ajuste) y las teclas IZQUIERDA/DERECHA (para pasar al siguiente campo) para ajustar la hora (<i>solo en formato de 24 horas, "00" = medianoche, "12" = mediodía</i>) y los minutos y, a continuación (en la fila inferior), el año, el mes y la fecha.
Modo	Cámara, vídeo	Selecciona si se capturan fotos fijas o secuencias de vídeo cuando se activa la cámara.
Tamaño de la imagen (<i>solo afecta a las fotos fijas de la cámara</i>)	3MP, 8MP, 24MP/30MP (Solo 119975C/119977C)	Selecciona la resolución de las fotos fijas. Una resolución más alta proporciona más píxeles, pero crea archivos más grandes que ocupan una mayor parte de la capacidad de la tarjeta SD (se llena más rápido). 3MP, 8MP, 24MP, 30MP
Número de captura (<i>solo afecta a las fotos estáticas en el modo de cámara</i>).	1 Foto, 2 Foto, 3 Foto, 4 Foto, 5 Foto	Selecciona cuántas fotos se toman en secuencia por disparador en el modo Cámara. Esta configuración también afecta a las fotos tomadas en el modo de exploración de campo (por ejemplo, para tomar dos fotos cada diez minutos). <i>Nota: solo se capturará una foto si "Intervalo" está ajustado a 0,6 segundos, independientemente de la configuración del número de captura.</i> <i>Consulte también el parámetro Intervalo.</i>
Tamaño de vídeo (<i>solo afecta a las secuencias de vídeo en el modo Vídeo</i>)	1920x1080 60FPS (solo 119975C/119977C) 1920x1080 1280x720 640x360	Selecciona la resolución de vídeo (en píxeles por fotograma). Una resolución más alta produce vídeos de mejor calidad, pero crea archivos más grandes que ocupan una mayor parte de la capacidad de la tarjeta SD (se llena más rápido). 640x360 es vídeo VGA en formato "panorámico" 16:9.

		<p>La configuración más alta proporciona vídeo en alta definición.</p> <p>Se recomienda utilizar tarjetas SD de alta velocidad (SanDisk® SDHC de clase 6 o superior) si va a utilizar la configuración de vídeo de 1280 x 720 o 1920 x 1080.</p>
<p>Duración del vídeo <i>(solo afecta a las secuencias de vídeo en el modo Vídeo)</i></p>	<p>Rango de tiempo fijo de 5S a 60S (10S por defecto), o longitud variable dinámica</p>	<p>Establece la longitud por secuencia de vídeo.</p> <p>El ajuste predeterminado es de 10 segundos de tiempo fijo por vídeo, con un rango disponible de 5S (5 segundos) a 60S (1 minuto).</p> <p>Límite nocturno de 15 segundos cuando el control LED es alto.</p> <p>El ajuste "Dinámico" proporciona una longitud de vídeo variable, basada en la actividad del animal dentro del rango IRP y su Intervalo (página siguiente) y el LED</p> <p>Controle los ajustes de la siguiente manera:</p> <p>Con Intervalo ajustado a 0,6 segundos: la duración del vídeo es de 10 segundos fijos por disparador.</p> <p>Si se produce un nuevo disparo durante los últimos 4 segundos de un vídeo, se grabará otro vídeo de 10 segundos inmediatamente después del primero.</p> <p>Esto continuará indefinidamente mientras la energía de la batería sea adecuada, independientemente de los ajustes del control LED, tanto durante el día como durante la noche.</p> <p>Con Intervalo ajustado a 2 segundos o más, para vídeos diurnos: la duración del vídeo es "adaptable" (determinada por nuevos disparadores), con un mínimo de 5 segundos.</p> <p>Si se produce un nuevo disparo durante los últimos 4 segundos de este primer vídeo, la duración se amplía en otros 1-4 segundos (en función del momento en que se produce el nuevo disparo), con una duración total máxima de 2 minutos de vídeo continuo antes de que se inicie un nuevo vídeo.</p> <p>Con el Intervalo ajustado a 2 segundos o más, y Control LED =Alto, para vídeos nocturnos: igual</p>

		<p>que durante el día, pero la duración máxima es de 15 segundos antes de que finalice la grabación y se inicia un nuevo vídeo si se produce un nuevo disparo.</p> <p>Con Intervalo ajustado a 2 segundos o más, y Control LED=medio/bajo, para vídeos nocturnos: igual que durante el día, pero la duración máxima es de 60 segundos antes de que finalice la grabación y se inicia un nuevo vídeo si se produce un nuevo disparo.</p>
Intervalo	<p>10S (segundo) por defecto, con un rango de ajustes disponible de entre 60M (minuto) y 0.2S (medio segundo).</p> <p><i>(60M-1M se ajustan en incrementos de un minuto, 59S-3S se ajustan en incrementos de un segundo, seguidos por el ajuste de .6S)</i></p>	<p>Selecciona el tiempo que la cámara "esperará" hasta que responda a cualquier disparo adicional del IRP después de que se detecte un animal por primera vez y permanezca dentro del alcance del sensor.</p> <p>Durante este intervalo de tiempo ajustado por el usuario en el que se "ignoran los disparadores", la cámara no capturará fotos/vídeos.</p> <p>Esto evita que la tarjeta se llene de demasiadas imágenes redundantes.</p> <p>Los ajustes comienzan con 10 segundos por defecto cuando se selecciona el parámetro por primera vez.</p> <p>Ajustando el tiempo de Intervalo a 0,6 segundos se capturará el número máximo de imágenes, pero algunas pueden aparecer "desvanecidas" si el animal está demasiado cerca de la cámara por la noche.</p> <p><i>Nota: después de haber pasado ".6S", los ajustes comienzan de nuevo en "60M".</i></p>
Formato	<p>Ejecutar <i>(seguido de un paso adicional No/Sí)</i></p>	<p>Elimina (borra) todos los archivos almacenados en una tarjeta para prepararla para su reutilización.</p> <p>Formatee siempre una tarjeta que haya sido utilizada previamente en otros dispositivos.</p> <p>¡Precaución! ¡Asegúrese de haber descargado y hecho una copia de seguridad de los archivos que desea conservar primero!</p> <p>Pulse OK para ejecutar, pulse MENÚ (o seleccione NO y pulse OK) para salir sin formatear.</p>

Marca de tiempo	Encendido, apagado	Seleccione "On" si desea que la fecha y la hora (a la que se capturó la imagen) se impriman en cada foto/vídeo, seleccione "Apagado" para que no aparezca ninguna impresión. Nota: la temperatura actual, la fase lunar y el nombre de la cámara (configurado por el usuario) también se imprimirán en las fotografías.
Sonido de vídeo <i>(solo afecta a las secuencias de vídeo en el modo Vídeo)</i>	Encendido, apagado	Seleccione "encendido" para grabar audio junto con el vídeo cuando la cámara esté configurada en el modo de vídeo (los tamaños de archivo guardados serán ligeramente más grandes).
Nivel del sensor	Auto, Bajo, Normal, Alto	El nivel del sensor automático ajustará automáticamente el nivel del sensor en función de la temperatura ambiente. >70 °F (alta); 45 °F ~ 70 °F (normal); < 45 °F (baja), el sensor alto ajustará la sensibilidad de la cámara para alcanzar 70', el sensor normal ajustará la sensibilidad de la cámara para alcanzar 100', el sensor bajo ajustará la sensibilidad de la cámara para alcanzar 40'.
Modo de cámara	24 Horas, Día, Noche	Permite al usuario limitar la operación exclusivamente al período diurno o nocturno si así lo desea. Un sensor de nivel de luz ambiental determina automáticamente la diferencia entre "Día" y "Noche".
Ajuste por defecto	Cancelar, ejecutar	Seleccione "Ejecutar" y pulse OK para restaurar todos los parámetros a sus valores originales de fábrica. Si la cámara se comporta de forma extraña y cree que puede haber cambiado el ajuste de algo accidentalmente (pero no está seguro de cuál), esto restablecerá todos los parámetros a sus ajustes más utilizados o "genéricos".
Versión	Ninguna	Muestra la versión actual del firmware como referencia.

A TRAVÉS DE LAS PANTALLAS DE ENTRADA DEL MENÚ DE CONFIGURACIÓN

Entrada de nombre de cámara

Después de seleccionar el parámetro Nombre de la cámara (el único ajuste es "entrada"), pulse **OK**.

Si es necesario, borre el nombre anterior o el nombre predeterminado pulsando la tecla **DERECHA** hasta que se resalte el símbolo de retroceso () (situado entre las letras "A" y "B", también entre la "j" y la "k") y, a continuación, mantenga pulsado **OK**.

Seleccione (resalte) cada carácter alfanumérico que desee, con las teclas **IZQUIERDA/DERECHA**, y pulse **OK** después de cada uno para configurarlo.

Cuando termine de asignar un nombre a la cámara, pulse **MENÚ** para guardar el nombre en la memoria.

Entrada de coordenadas

Después de seleccionar el parámetro de entrada de coordenadas, pulse **ARRIBA o ABAJO** para seleccionar el ajuste de encendido y pulse **OK**.

La latitud y la longitud de cualquier lugar donde tenga intención de colocar la cámara se puede obtener en muchos sitios web, por ejemplo: <http://itouchmap.com/latlong.html> . Puede introducir una dirección cercana, un código postal o utilizar los distintos tipos de mapas para localizar la posición aproximada.

El formato que necesitará utilizar para introducir las coordenadas en la pantalla del menú de la cámara de ruta Core se muestra a continuación:

Nota: Puede ver coordenadas de latitud o longitud "negativas" en línea.

Estas designan latitudes del sur y longitudes del oeste.

Las ubicaciones de EE. UU./Canadá tendrán coordenadas de latitud Norte (+) y longitud Oeste (-).

MONTAJE Y POSICIONAMIENTO del soporte de la cámara de ruta Core

Una vez que haya configurado los parámetros de la cámara según sus preferencias personales en casa o en su camión, estará listo para llevarla al exterior y deslizar el interruptor de encendido a "**ENCENDIDO**".

Cuando configure la **cámara de ruta Core** para explorar en busca de animales u otras aplicaciones al aire libre, debe asegurarse de montarla correctamente y de forma segura.

Recomendamos montar la **cámara de ruta Core** en un árbol resistente con un diámetro de aproximadamente 6 pulg.

(15cm). Para obtener una calidad de imagen óptima, el árbol debe estar a unos 16-17 pies (5 metros) del lugar que se va a supervisar, con la cámara colocada a una altura de 5-6,5 pies. (1.5~2 m). Además, tenga en cuenta que obtendrá los mejores resultados por la noche cuando el sujeto esté dentro del rango de flash ideal, a no más de 100 pies/30 m (119936C/1198838C) y a no menos de 10 pies (3m) de la cámara.

Hay dos maneras de montar la **cámara de ruta Core**: usando la correa de banda ajustable suministrada o el enchufe del trípode.

Usando la correa de banda ajustable:

La Fig. 5 ilustra el uso de la correa de banda en la **cámara de ruta Core**.

Empuje un extremo de la correa a través de los dos soportes en la parte posterior de la **cámara de ruta Core**.

Pase el extremo de la correa a través de la hebilla.

Sujete firmemente el cinturón alrededor del tronco del árbol tirando firmemente del extremo de la correa para que no quede ninguna holgura.

Usando el enchufe del trípode:

La cámara está equipada con una toma en el extremo inferior para permitir el montaje en un trípode u otros accesorios de montaje con una rosca estándar de 1/4-20.

Fig. 5 Fijación de la correa



Nota: también se dispone de una fuente de alimentación suplementaria de paneles solares (n.º 119756C); visite www.bushnell.com para obtener más información.

Prueba de ángulo y distancia de detección

Para comprobar si la **cámara de ruta Core** puede supervisar con eficacia la zona que usted elija, se recomienda esta prueba para comprobar el ángulo de detección y la distancia de supervisión de la **cámara de ruta Core**.

Para realizar la prueba:

- Cambie la **cámara de ruta Core** al modo **CONFIGURACIÓN**.

- Haga movimientos frente a la cámara en varias posiciones dentro de la zona donde espera que se encuentren los animales o los sujetos.

Pruebe con diferentes distancias y ángulos de la cámara.

- Si la luz LED de indicación de movimiento parpadea, indica que la posición se puede detectar. Si no parpadea, esa posición está fuera del área de detección.

Los resultados de sus pruebas le ayudarán a encontrar la mejor ubicación al montar y apuntar la **cámara de ruta Core**.

La altura desde el suelo para colocar el dispositivo debe variar según el tamaño del animal.

En general, es preferible de 3 a 6 pies.

Puede evitar los posibles falsos disparos debidos a perturbaciones de la temperatura y el movimiento delante de la cámara si no apunta a una fuente de calor o a ramas o arbustos cercanos (especialmente en días ventosos).

Encender la cámara

Una vez que cambie al modo **ENCENDIDO**, el LED indicador de movimiento (rojo) parpadeará durante unos 10 segundos.

Esto le da tiempo para cerrar y bloquear la cubierta frontal de la **cámara de ruta Core** y luego alejarse.

Durante este tiempo, el LED indicador de movimiento parpadeará en rojo continuamente.

Una vez que deja de parpadear, el IRP está activo, y cualquier movimiento que detecte activará la captura de fotos o vídeos tal y como se programó en el menú **CONFIGURACIÓN**. Asegúrese de haber leído las descripciones de los parámetros de Número de captura, Intervalo y Nivel de sensor.

Tenga en cuenta que el IRP es muy sensible a la temperatura ambiente.

Cuanto mayor sea la diferencia de temperatura entre el entorno y el objeto, mayor será la distancia de detección posible.

La distancia promedio de detección es de aproximadamente 60 pies.

Antes de dejar la cámara desatendida, compruebe lo siguiente:

- ¿Las baterías o la fuente de alimentación de CC están insertadas/conectadas con la polaridad correcta y el nivel de potencia es suficiente?

- ¿La tarjeta SD tiene suficiente espacio disponible y está desactivada su protección contra escritura (bloqueo)?

- ¿El interruptor de alimentación está en la posición **ENCENDIDO**?
(No lo deje en **CONFIGURACIÓN**).

REVISAR/ELIMINAR LAS FOTOS/VÍDEOS

Una vez que haya configurado, montado y activado su **cámara de ruta Core**, sin duda deseará volver más tarde y revisar las imágenes que ha capturado para usted.

Hay varias maneras de hacerlo.

Revisar las imágenes directamente desde la tarjeta SD

Este es el método más popular para ver las imágenes.

Dado que desmontar la cámara y llevarla al ordenador no es muy cómodo, es posible que le resulte más fácil extraer la tarjeta.

Al quitar la tarjeta SD (cambiándola por una nueva tarjeta vacía si lo desea) y llevarla a su casa o campamento para ver las imágenes utilizando un "lector" de tarjetas SD (*suministrado por el usuario*) conectado a su ordenador (algunos ordenadores y televisores tienen una ranura para tarjetas SD integrada), puede dejar la cámara en su sitio lista para capturar más imágenes.

Una vez conectado, el lector de tarjetas funciona de la misma manera que se describe a continuación: lea esta sección si tiene algún problema para encontrar sus archivos.

RESOLUCIÓN DE PROBLEMAS / PREGUNTAS FRECUENTES

La cámara no toma imágenes continuas de ningún sujeto

Una cámara tiene lo que se conoce como un "disparador falso" si el sensor IRP piensa que hay movimiento y calor delante del objetivo de la cámara cuando no hay ningún sujeto en la imagen. Estos "falsos disparadores" se producen cuando se coloca la cámara en un entorno en el que hay movimiento asociado con ramas de árboles que crean movimiento delante de la cámara o en una zona en la que hay mucho calor en primer plano, y en la que cualquier movimiento provocado por el viento podría hacer que la cámara se disparase. La instalación de una cámara sobre el agua también es una causa potencial de este problema. Para solucionar esta situación:

1. Intente mover la cámara a una zona que no tenga ninguno de estos problemas o intente cambiar el nivel del sensor en la configuración del menú.
2. Si la cámara continúa tomando imágenes cuando no hay ningún sujeto en ellas, intente colocar la cámara en un entorno interior y apunte a un lugar donde no haya movimiento.
3. Si la cámara sigue mostrando problemas, es probable que haya un problema con los componentes electrónicos. Si este es el caso, póngase en contacto con nuestro servicio de atención al cliente para devolver la cámara para su reparación.

La vida de la batería es más corta de lo esperado

1. La duración de la batería variará con la temperatura de funcionamiento y el número de imágenes tomadas con el tiempo. Ajustar el tiempo de Intervalo a 0,6 segundos disminuirá la vida útil de la batería. Típicamente, la **cámara de ruta Core** podrá capturar varios miles de imágenes antes de que se agoten las baterías.
2. Compruebe que ha utilizado pilas alcalinas o de litio nuevas. Bushnell recomienda usar baterías de litio AA Energizer® en su modelo de cámara de ruta Core para obtener la máxima duración de la batería.
3. Asegúrese de que el interruptor de encendido esté en la posición "Encendido" y de que la cámara no se haya dejado en el modo "Configuración" mientras estaba en el campo.
4. Asegúrese de que utiliza una tarjeta SD de buena calidad en su cámara. Bushnell recomienda las tarjetas SD de la marca SanDisk® de hasta 32 GB (*serie Ultra® o Extreme® para vídeo en HD*). Nuestra experiencia indica que las tarjetas SD de mala calidad a veces pueden reducir la duración de la batería de la **cámara de ruta Core**.

La cámara deja de tomar imágenes o no las toma

1. Asegúrese de que la tarjeta SD no esté llena. Si la tarjeta está llena, la cámara dejará de tomar imágenes.
2. Compruebe las pilas para asegurarse de que son pilas alcalinas o de litio AA nuevas. *Consulte la nota anterior sobre la corta duración de la batería.*

3. Asegúrese de que el interruptor de alimentación de la cámara esté en la posición "**Encendido**" y no en los modos "**Apagado**" o "**Configuración**".
4. Asegúrese de que está utilizando una tarjeta SD de buena calidad en su cámara. Bushnell recomienda las tarjetas SD de SanDisk® de hasta 32 GB (*series Ultra® o Extreme® para vídeo en HD*).
5. Si la tarjeta SD tiene su interruptor de protección contra escritura en la posición de bloqueo, la cámara no tomará imágenes.
6. Si ha utilizado una tarjeta SD en otro dispositivo antes de insertarla en la **cámara de ruta Core**, puede que desee intentar formatear la tarjeta utilizando el parámetro "Formato" en el modo Configuración (asegúrese de haber realizado una copia de seguridad de los archivos importantes primero, ya que al formatear se borrarán todos los archivos anteriores). En algunos casos, otros dispositivos pueden cambiar el formato de la tarjeta SD para que no funcione correctamente con la **cámara de ruta Core**.

La cámara no se enciende

1. Asegúrese de que ha instalado ocho pilas en el compartimento de las pilas. Bushnell recomienda usar pilas Energizer® Lithium AA en su cámara de ruta Core.
2. Asegúrese de que las baterías estén correctamente instaladas, observando la polaridad adecuada. Coloque siempre el extremo negativo (plano) de cada batería en contacto con el lado del resorte de su ranura dentro de la cámara.
3. Después de mover el interruptor de "**apagado**" a "**configuración**" o "**encendido**", asegúrese de que el interruptor esté en la posición correcta para asegurar el modo correcto (evite las posiciones "entre" dos modos).
4. No mueva el interruptor directamente de "**encendido**" a "**configuración**": siempre mueva el interruptor hacia abajo a "**apagado**" primero, y luego hacia atrás a "**configuración**". **Problemas de calidad de las fotografías o los vídeos fijos**

1. Las fotos o vídeos nocturnos parecen demasiado oscuros

- a. Compruebe el icono del indicador de batería para ver si la batería está llena. El flash dejará de funcionar cerca del final de la vida útil de la batería.
- b. Obtendrá los mejores resultados cuando el objeto esté dentro del rango de flash ideal, no más allá de 80 pies/24 m (119876C/119877C) o 100 pies/30 m (119874C/119875C). Los sujetos pueden aparecer demasiado oscuros a distancias mayores.
- c. Tenga en cuenta que cuando el parámetro Número de captura se ajusta a un valor superior a "1 fotografía", o con ajustes de intervalo muy cortos, algunas imágenes pueden aparecer más oscuras que otras debido a la rápida respuesta y a la rápida reactivación de la cámara, lo que permite que el flash se recargue por completo antes de disparar de nuevo.
- d. Asegúrese de que el "control LED" del menú de configuración esté ajustado a "Alto" para garantizar la máxima potencia. Compruebe que el "Obturador NV" del menú está ajustado a "Auto" y no a "Alto", ya que las velocidades de obturación más altas pueden dar lugar a imágenes más oscuras.
- e. La protección ARD (dispositivo antirreflejos) se puede quitar para maximizar la salida del flash. Vea la página 29 para más detalles.

2. Las fotos o vídeos diurnos parecen demasiado oscuros

Asegúrese de que la cámara no apunte al sol o a otras fuentes de luz durante el día, ya que esto puede provocar que la exposición automática produzca resultados más oscuros.

3. Las fotos o vídeos nocturnos parecen demasiado brillantes

Si el sujeto está cerca de la cámara (menos de 10 pies/3 m), cambie el parámetro Control de LED en el menú de configuración a "Medio" o "Bajo". Ajuste el intervalo de disparo a 2S o superior.

4. Las fotos o vídeos diurnos parecen demasiado brillantes

Asegúrese de que el sensor de luz no esté a la sombra (de las hojas o ramas de los árboles) mientras el objetivo de la cámara está apuntando a una zona luminosa durante el día.

5. Fotos con el sujeto rayado

- a. En algunos casos con condiciones de baja iluminación y con sujetos que se mueven rápidamente, es posible que la configuración de 4K o ALTA resolución no funcione tan bien como la configuración de HD.
- b. Si tiene varias imágenes en las que los objetos que se mueven rápidamente producen rayas en la foto, pruebe con la configuración de alta definición en su lugar.
- c. Ajuste Intervalo a 2S o superior para reducir el desenfoque del movimiento.
- d. Ajuste "Obturador NV" a "Alto" para minimizar el desenfoque por movimiento.

6. Color rojo, verde o azul fundido

- a. Bajo ciertas condiciones de iluminación, el sensor puede confundirse, lo que puede dar lugar a imágenes de color deficientes.
- b. Si esto se observa de manera consistente, entonces puede que sea necesario reparar el sensor.

Póngase en contacto con el servicio de atención al cliente de Bushnell.

7. Videoclips cortos: no graban la duración esperada

- a. Compruebe que la tarjeta SD no esté llena.
- b. Asegúrese de que la cámara tenga buenas pilas. Cerca del final de la vida útil de la pila, la cámara puede decidir grabar secuencias de vídeo más cortas para ahorrar energía.
- c. Cuando el control LED está ajustado a "Alto" y la cámara está en modo Vídeo, la duración máxima de vídeo en modo "Dinámico" durante la noche es de 15 segundos, para evitar un posible sobrecalentamiento de las baterías o de los componentes electrónicos. La duración máxima de vídeo disponible cuando se ajusta a "Dinámico" durante el día es de 2 minutos.

La marca de fecha/hora no aparece en las imágenes

Asegúrese de que el parámetro "**marca de tiempo**" esté ajustado a "**encendido**".

Las fotos no capturan el sujeto de interés

11. Compruebe el ajuste de parámetros del "Nivel de sensor" (sensibilidad IRP). Para condiciones de temperatura cálida, ajuste el nivel del sensor a "Alto" y para condiciones climáticas frías, ajuste el sensor a "Bajo". En caso de condiciones meteorológicas variables, utilice "Automático".
12. Intente colocar la cámara en una zona donde no haya una fuente de calor en la línea de visión de la cámara.
13. En algunos casos, al colocar la cámara cerca del agua, la cámara tomará imágenes sin ningún sujeto en ellas. Intente que la cámara apunte sobre el suelo.
14. Trate de evitar colocar la cámara en árboles pequeños que puedan ser movidos por fuertes vientos.
15. Retire cualquier miembro que se encuentre justo delante del objetivo de la cámara.

El LED del sensor IRP parpadea/no parpadea

1. Cuando la cámara está en modo "Configuración", un LED especial en la parte frontal de la cámara parpadea cuando detecta movimiento. Esto es únicamente para fines de configuración y ayudará al usuario a dirigir la cámara.
2. Durante el uso, el LED no parpadeará cuando la cámara tome una imagen. Esto es para ayudar a mantener la cámara oculta de los animales.

Problemas con la pantalla LCD

1. *La pantalla LCD se enciende pero no hay texto.*

a. Después de mover el interruptor de "apagado" a "configuración" o "encendido", asegúrese de que el interruptor esté en la posición correcta para asegurar el modo correcto (evite las posiciones "entre" dos modos).

b. No mueva el interruptor directamente de "encendido" a "configuración": siempre mueva el interruptor hacia abajo a "apagado" primero, y luego hacia atrás a "configuración".

2. *La pantalla LCD muestra una tenue línea negra después de pasar de "configuración" a "encendido".* La pantalla LCD se apagará cuando deslice el interruptor a la posición "encendido". En algunos casos, esta línea negra aparecerá y luego se desvanecerá en aproximadamente 1 segundo. Esto es normal y la cámara funcionará correctamente.

3. *La pantalla se enciende pero luego se apaga*

Asegúrese de que ha instalado la tarjeta SD correctamente.

La cámara no conserva los ajustes

Asegúrese de que ha estado guardando los cambios en cualquier ajuste de parámetros que haya realizado en el modo de configuración, pulsando "OK" después de cambiar el ajuste. Si no guarda la nueva configuración después de cambiarla, la cámara continuará utilizando la configuración predeterminada original para ese parámetro.

Humedad u hormigas en el interior de la cámara

1. Para asegurarse de que la humedad o la lluvia se mantengan fuera de la cámara, asegure de fijar el enchufe de entrada de CC firmemente.

2. Las hormigas se pueden sentir atraídas por las vibraciones electrónicas de bajo nivel, y entrar a través de cualquier espacio entre el exterior y el interior de la cámara. Asegúrese de que la clavija de entrada de CC esté bien fijada.

La exploración de campo (lapso de tiempo) no funciona correctamente

1. Asegúrese de que las horas de parada y de inicio de la exploración de campo "A" y "B" no se solapen (por ejemplo, no ajuste la hora de inicio de "B" a las 8 de la mañana si la hora de parada de "A" son las 10 de la mañana).

2. Cuando se utiliza la exploración de campo en modo vídeo, el intervalo de tiempo más pequeño disponible es de 5 minutos, para evitar un posible sobrecalentamiento de las pilas y los componentes electrónicos, que podría causar fallos de funcionamiento o daños en la cámara. En el modo de fotografía fija, se puede ajustar un intervalo de 1 minuto.

PRECAUCIÓN: NO UTILICE el ajuste de intervalo de 0,6 s para vídeo por la noche en un alimentador o entorno similar. Esto puede causar que los LED continúen encendiéndose durante un largo período de tiempo, lo que puede sobrecalentar y acortar la vida útil de los componentes electrónicos internos.

No mezcle pilas viejas y nuevas.

No mezcle tipos de pilas: utilice TODAS de litio o TODAS alcalinas.

No se recomiendan las pilas recargables.

ESPECIFICACIONES TÉCNICAS

Tamaño máximo de píxeles

119936C/119938C: 6528x3672 (16:9)

119975C/119977C: 7296x4104(16:9)

Lente F = 2,8;

FOV=38°;

Rango de flash IR

Seleccionable (Bajo/Medio/Alto), >100 pies/30 m (119975C/119977C),>100 pies/30 m (119936C/119938C)

Pantalla de visualización

Pantalla monocromática (119936C/119938C: 21x30 mm(1,5"))

Pantalla a color (solo 119975C/119977C): 2,4"

Tarjeta de memoria

Tarjeta SD o SDHC, capacidad máxima 32 GB (*Clase 6 o superior para vídeo HD de 1280x720 o 1920x1080*)

Tamaño de la imagen (píxeles) 3MP=2304x1296, 8MP=3840x2160, 24MP=6528x3672

3MP=2304x1296, 8MP=3840x2160, 30MP=7296x4104

Tamaño del vídeo

640x360p, 1280x720p, 1920x1080p @ 30 fps (Día)/15 fps (Noche)

1280x720p, 1920x1080 @ 30 fps (Día) / 30 FPS (Noche), 1920x1080 @60 fps (Día) / 60 FPS (Noche)

Sensibilidad IRP Híper IRP con 4 ajustes de sensibilidad: Bajo/Normal/Alto/Automático

Funcionamiento

Seleccionable por el usuario: 24 horas, solo de día, o solo de noche (basado en el nivel de luz ambiental)

Tiempo de respuesta 0,2 segundos (Foto), 1,0 segundos (Vídeo)

Intervalo de disparo 0,6 seg. - 60 min. programable

Números de disparo 1-3 programables

Duración del vídeo

Los ajustes de duración del tiempo de vídeo fija oscilan entre 5 y 60 segundos. Consulte

la pág. 21 para conocer los detalles de la duración del vídeo dinámico (basada en el disparador, variable según los intervalos y la configuración del LED).

Se recomiendan 8 pilas AA, 4 AA como alimentación de emergencia

Corriente en reposo < 0,08 mA (< 7 mAh/día)

Obturador de visión nocturna

Velocidad

Solo fotos/videos seleccionables por el usuario (Automático/Alto) que afectan a las fotos/videos nocturnos (NV).

USB de interfaz; soporte para tarjeta SD; CC externa (12 V)

Correa de seguridad; sujeción de ¼-20

Temperatura

de funcionamiento

-20 - 60 °C (temperatura de almacenamiento: -30 - 70 °C)
Humedad de funcionamiento 5 % - 90 %.

GARANTÍA LIMITADA DE DOS AÑOS

Se garantiza que su producto Bushnell® estará libre de defectos de materiales y mano de obra durante dos años después de la fecha de compra. En el caso de que se produzca un defecto dentro de este período de garantía, repararemos o reemplazaremos el producto, a nuestra elección, siempre que devuelva el producto con los gastos de envío pagados por adelantado.

Esta garantía no cubre los daños causados por el uso indebido, el manejo inadecuado, la instalación o el mantenimiento proporcionados por alguien que no sea un departamento de servicio autorizado de Bushnell.

Cualquier devolución realizada en virtud de esta garantía debe ir acompañada de los elementos que se enumeran a continuación:

- Un cheque o giro postal por la cantidad de 10,00 \$ para cubrir los costes de envío y manipulación.
- Nombre, dirección y número de teléfono diurno para la devolución del producto.
- Una explicación del defecto.
- Copia de su comprobante de compra fechado.

No envíe accesorios (baterías, tarjetas SD, cables), únicamente el producto para su reparación. El producto debe estar bien embalado en una caja de cartón exterior resistente para evitar daños durante el transporte, y debe enviarse a la dirección que se indica a continuación:

EN EE. UU. Enviar a: EN CANADÁ, enviar a:
Productos para exteriores Bushnell Productos para exteriores Bushnell
A la atención de: A la atención de reparaciones: Reparaciones
9200 Cody 140 Great Gulf Drive, Unit # B
Overland Park, Kansas 66214 Vaughan, Ontario L4K 5W5

Las especificaciones y diseños están sujetos a cambios sin previo aviso u obligación por parte del fabricante.

DECLARACIÓN DE CUMPLIMIENTO DE LA FCC:

DECLARACIÓN DE LA FCC

Los cambios no aprobados expresamente por Bushnell® podrían anular la autoridad del usuario para explotar el equipo.

Nota: Este equipo se ha probado y se ha determinado que cumple con los límites para un dispositivo digital de Clase B, de acuerdo con la Parte 15 de las normas de la FCC. Estos límites están diseñados para proporcionar una protección razonable contra interferencias perjudiciales en una instalación residencial. Este equipo genera, utiliza y puede irradiar energía de radiofrecuencia y, si no se instala y utiliza de acuerdo con las instrucciones, puede causar interferencias perjudiciales en las comunicaciones de radio. Sin embargo, no hay garantía de que no se produzcan interferencias en una instalación en particular. Si este equipo causa interferencias perjudiciales en la recepción de radio o televisión, lo cual puede determinarse apagando y encendiendo el equipo, se recomienda al usuario que intente corregir la interferencia mediante una o más de las siguientes medidas:

- Reorientar o reubicar la antena receptora.
- Aumentar la separación entre el equipo y el receptor.
- Conecte el equipo a una salida de un circuito diferente al que está conectado el receptor.
- Consultar al distribuidor o a un técnico de radio/televisión experimentado para obtener ayuda.

El cable de interfaz blindado debe utilizarse con el equipo para cumplir con los límites de un dispositivo digital de acuerdo con la Subparte B de la Parte 15 de las normas de la FCC. Las especificaciones y diseños están sujetos a cambios sin previo aviso u obligación por parte del fabricante.

Este dispositivo cumple con la Parte 15 de las normas de la FCC. El funcionamiento está sujeto a las dos condiciones siguientes: (1) este dispositivo no puede causar interferencias perjudiciales, y (2) este dispositivo debe aceptar cualquier interferencia recibida, lo que incluye interferencias que puedan causar un funcionamiento no deseado. Tenga en cuenta que los cambios o modificaciones no aprobados expresamente por la parte responsable del cumplimiento podrían anular la autoridad del usuario para explotar el equipo.

**UK
CA**

FCC CE



Eliminación de equipos eléctricos y electrónicos

*(De aplicación en la UE y en otros países europeos
con sistemas de recogida selectiva)*

Este equipo contiene componentes eléctricos o electrónicos y, por lo tanto, no debe desecharse como basura doméstica normal. En su lugar, se debe desechar en los respectivos puntos de recogida para su reciclaje proporcionados por las comunidades. Para usted, esto es gratuito.

Si el aparato contiene pilas recargables, también es necesario retirarlas antes y, en caso necesario, desecharlas de acuerdo con la normativa vigente (véanse también los comentarios correspondientes en las instrucciones de este aparato).

Puede obtener más información sobre el tema en la oficina administrativa de su comunidad, en la empresa local de recogida de residuos o en la tienda donde adquirió el equipo.

Para más preguntas o información adicional
póngase en contacto con:
Productos para exteriores Bushnell
9200 Cody, Overland Park, Kansas 66214
(800) 423-3537 • www.bushnell.com

©2020 Productos de exterior Bushnell

Bushnell®



CORE™

CORE™ DS
DUAL SENSOR
THE DIFFERENCE IS NIGHT AND DAY

Manuale di istruzioni

Model #: 119936C / 119938C / 119975C / 119977C

Italian / italien / italiano / italiano / Italiaans

Guida Rapida (119936C/119938C/119975C/119977C)

Per il manuale di istruzioni completo, visitare: www.bushnell.com

Per iniziare a utilizzare la Bushnell Trail Camera:

16. Installare 6 batterie AA (al litio* o alcaline) e una scheda SD (fino a 512 GB max.)
*si consigliano le batterie al litio
17. Nel punto in cui verrà posizionata la fotocamera, accenderla.
18. Montare la videocamera usando la cinghia di fissaggio.
19. La fotocamera è ora pronta per l'utilizzo secondo le impostazioni predefinite: modalità foto, intervallo di 10 secondi tra le foto, risoluzioni di 3 MP.
20. Le impostazioni predefinite possono essere modificate secondo le proprie preferenze (ad esempio, se si preferisce acquisire dei video, oppure foto con una risoluzione diversa, ulteriormente distanziate tra loro) utilizzando il display sulla fotocamera.

(per ulteriori dettagli consultare il manuale completo su www.bushnell.com)

Servizio clienti: 800-423-3537

www.bushnell.com

NOTA IMPORTANTE

Congratulazioni per l'acquisto di una delle migliori fotocamere da caccia sul mercato! Bushnell è molto orgogliosa di questa fotocamera e siamo certi che anche tu ne sarai soddisfatto. Siamo lieti che tu ci abbia scelti e desideriamo meritarcì la tua fiducia. Fai riferimento alle seguenti note e alle istruzioni contenute in questo manuale per essere certo di ottenere il massimo da questo prodotto.

Se la tua Bushnell Core Trail Camera non sembra funzionare correttamente o se stai riscontrando problemi con la qualità di foto/video, **consulta la sezione Risoluzione dei problemi/Domande frequenti alle pagine 108-111.**

I problemi sono spesso dovuti a qualche semplice aspetto che è stato trascurato o possono essere risolti con la semplice modifica di un'impostazione.

Se il problema persiste dopo aver provato le soluzioni presentate nella sezione Risoluzione dei problemi/Domande frequenti, **contatta il servizio clienti Bushnell al numero (800) 423-3537.** In Canada, chiama il numero (800) 361-5702.

Non utilizzare assieme batterie vecchie e nuove

Non utilizzare assieme tipi di batteria diverse, usare TUTTE batterie al litio o TUTTE batterie alcaline.

Per la Core Trail Camera, Bushnell consiglia l'utilizzo di schede SDHC SanDisk® classe 6 o più veloci (fino a 32 GB di capacità).

INTRODUZIONE

Informazioni sulla Core Trail Camera

La Bushnell **Core Trail Camera** è una fotocamera digitale per la perlustrazione. Può essere attivata da qualsiasi movimento della selvaggina nei dintorni, rilevato da un sensore di movimento ad infrarossi passivo (PIR, Passive Infra-Red) altamente sensibile, e quindi scattare foto di alta qualità (fino a 24 MP o 30 MP) o acquisire delle riprese video.

La **Core Trail Camera** consuma pochissima energia (meno di 0,08 mA) in stato di stand-by (sorveglianza). Ciò significa che può garantire fino a sei mesi di autonomia in stand-by quando il dispositivo è alimentato dalla carica completa delle batterie AA alcaline e fino a dodici mesi utilizzando batterie AA al litio. Quando viene rilevato un movimento nell'area monitorata, la fotocamera digitale viene attivata immediatamente (in genere in mezzo secondo) e quindi acquisisce automaticamente foto o video in base alle impostazioni precedentemente programmate. La **Core Trail Camera** è dotata di LED a infrarossi incorporati che hanno la funzione di flash, in modo da offrire foto o video nitidi (in bianco e nero) anche al buio, e può acquisire foto o video a colori con una quantità sufficiente di luce ambientale. La **Core Trail Camera** è progettata per uso esterno ed è resistente all'acqua e alla neve.

La tua fotocamera da caccia appartiene a una delle ultime generazioni di Bushnell **Core Trail Camera**.

La **Core Trail Camera** include molte funzionalità nuove o migliorate, tra cui:

- **Doppio sensore (solo 119975C/119977C):** la fotocamera è dotata di doppi sensori per acquisire immagini della migliore qualità sia di giorno che di notte.

- **Sensibilità PIR automatica:** la fotocamera monitora le condizioni di temperatura ambientali e regola automaticamente il segnale del sensore/l'innesco in modo che sia più sensibile a leggere variazioni di temperatura nelle giornate calde, meno sensibile nelle giornate fredde.
- **Alloggiamento per le batterie rimovibile:** alloggiamento per le batterie rimovibile per sostituire le batterie in modo semplice e veloce. Dispositivo di blocco integrato per evitare che l'alloggiamento scivoli via dalla fotocamera.
- **Funzionalità di marcatura georeferenziata GPS:** consente all'utente di inserire la longitudine e la latitudine della posizione della telecamera, che sarà incorporata in ciascun file di foto. Ciò consente a Google Earth, Picasa e ad altri software in grado di gestire le marcature georeferenziate, di mostrare automaticamente una mappa che indica la posizione di ciascuna fotocamera quando si esamina un gruppo di foto su un computer. Particolarmente utile per coloro che installano più **Core Trail Camera** per monitorare aree estese o molto distanti tra loro.
- **Modalità Multi Flash (controllo LED):** evita foto con il flash sovraesposte a distanza ravvicinata.
- **Modalità di acquisizione ibrida:** ad ogni attivazione, consente di acquisire sia le foto che i video, fino alla massima risoluzione selezionabile per entrambi.
- **Otturatore NV:** l'utente può selezionare la velocità dell'otturatore per le immagini catturate di notte, offrendo il controllo della luminosità a dispetto della capacità di acquisire con nitidezza elementi in movimento.
- La **modalità operativa della fotocamera** può essere limitata al solo giorno o alla sola notte oppure estesa alle 24 ore
- **Modalità preimpostate** per mangiatoie per uccelli, sentieri, aree con disponibilità di cibo.
- La modalità **Video dinamico** utilizza la durata dell'attività degli animali per determinare la lunghezza del file acquisito, in modo che il video non si interrompa proprio quando le cose si fanno interessanti. E molte altre funzionalità come video con audio, velocità di innesco di 0,2 secondi e tempo di ripristino di 0,6 secondi (foto fisse), formato immagini fisse in modalità panoramica o a schermo intero, nome della fotocamera stampabile (impostabile dall'utente) insieme ai dati correnti, incluse temperatura e fasi lunari.

Applicazioni

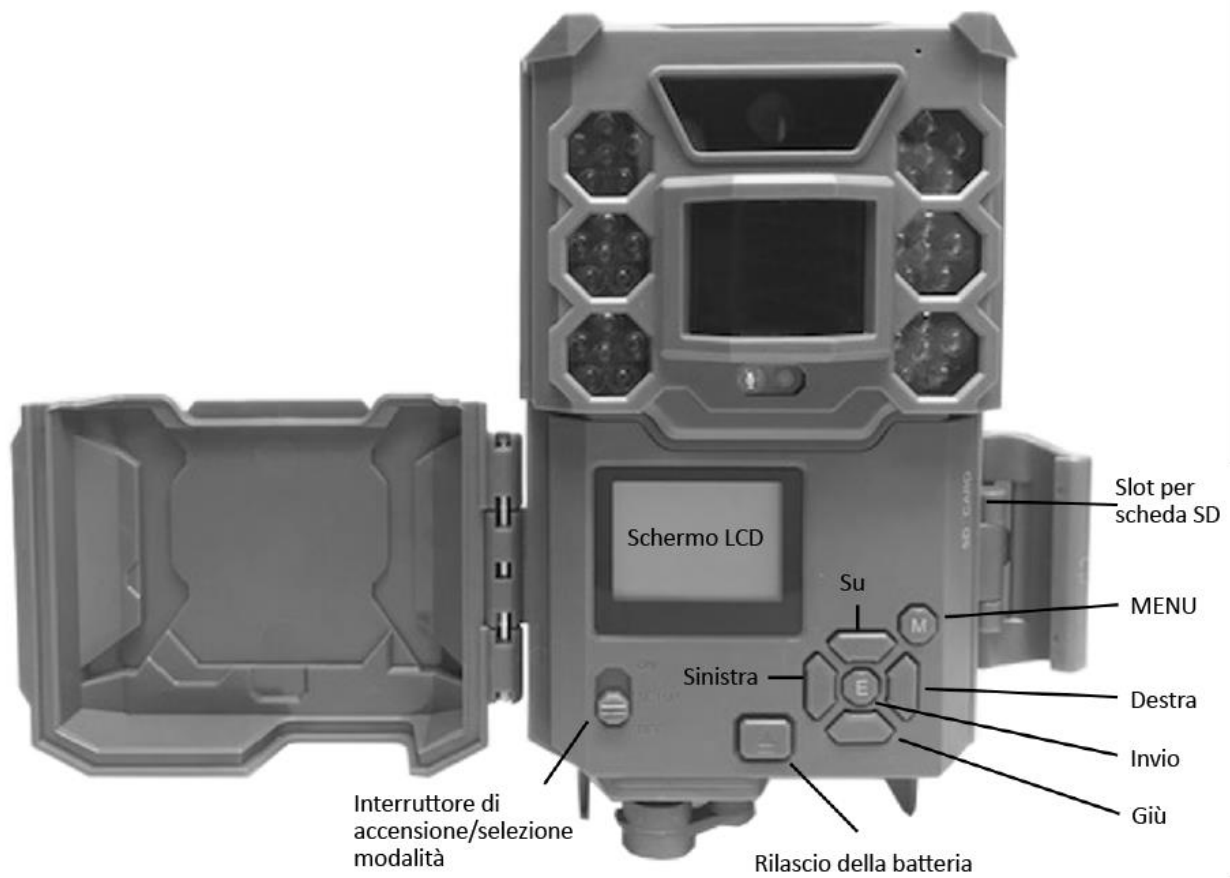
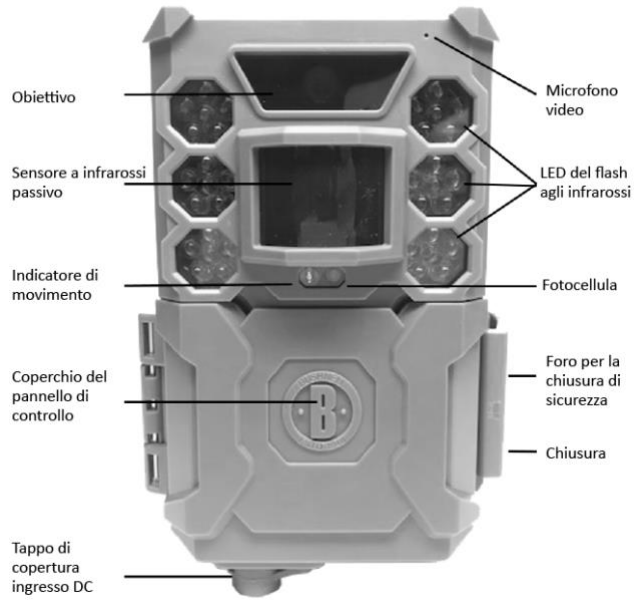
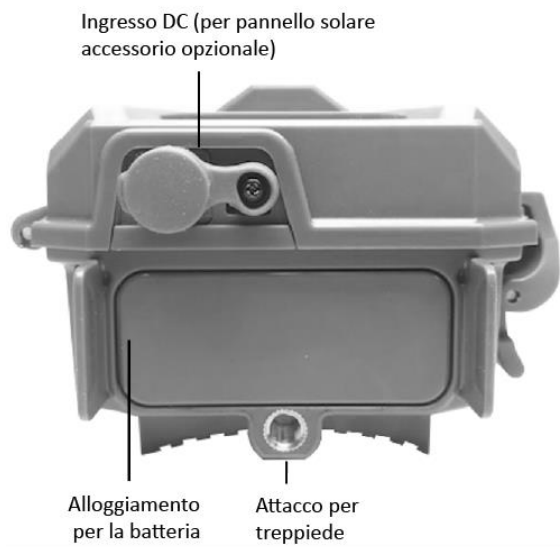
La **Core Trail Camera** può essere utilizzata come fotocamera per la caccia o per la ricerca della selvaggina. È anche adatta per l'uso a fini di sorveglianza.

COMPONENTI E COMANDI

La **Core Trail Camera** fornisce i seguenti collegamenti per dispositivi esterni: porta USB, slot per scheda SD e ingresso per alimentazione DC esterna (*pag. 6, Fig. 1*).

Un interruttore di alimentazione a 3 vie consente di selezionare le principali modalità operative: **OFF**, **SETUP** e **ON** (*pag. 6, Fig. 2*).

Il tastierino direzionale con cinque pulsanti è utilizzato principalmente in modalità **SETUP** per selezionare le funzioni e i parametri operativi. Come mostrato nella pagina successiva, questi tasti sono: UP, DOWN, LEFT, RIGHT, OK e ENTER. Oltre alla loro funzione principale, tre dei tasti possono anche eseguire una seconda funzione (operazioni di scelta rapida in modalità **SETUP**): il pulsante DOWN può essere usato per impostare la fotocamera in modalità Foto (icona della fotocamera) mentre il pulsante UP permette di impostare la fotocamera in modalità Video (icona della cinepresa). Il pulsante RIGHT funge anche da pulsante di scatto manuale ("SHOT") della fotocamera. Queste funzioni secondarie sono indicate da icone o testo sopra il pulsante come mostrato nella pagina successiva.



INSTALLAZIONE DELLE BATTERIE E DELLA SCHEDA SD

Prima di iniziare a imparare a usare la **Core Trail Camera**, bisogna prima installare un set di batterie e inserire una scheda SD. Sebbene ciò richieda solo un minuto, ci sono alcune informazioni importanti sia sulle batterie che sulle schede SD di cui dovresti essere a conoscenza, quindi ti preghiamo di leggere attentamente le seguenti istruzioni e precauzioni:

Installazione delle batterie

Dopo aver sbloccato la chiusura sul lato destro della fotocamera, vedrai che la **Core Trail Camera** dispone di un pulsante di rilascio della batteria. Premendo questo pulsante, l'alloggiamento delle batterie uscirà dalla parte inferiore della fotocamera. L'alloggiamento delle batterie si fermerà a poco più di un centimetro dal dispositivo grazie a un sistema di blocco che impedisce che l'alloggiamento cada a terra. Basta applicare una leggera pressione tirando e l'alloggiamento può essere estratto. L'alloggiamento della batteria dispone di sei scomparti per le batterie. Installare un set completo di 6 batterie. Assicurarsi di inserire ciascuna batteria con la polarità corretta (estremità negativa o "piatta" contro la molla lunga di ogni scomparto per le batterie).

Bushnell consiglia di utilizzare un set completo di nuove batterie AA al litio (marca Energizer®) o di batterie AA alcaline. Si sconsigliano le batterie ricaricabili NiMh, in quanto la minore tensione da queste generata può causare problemi di funzionamento.



È inoltre possibile collegare un pannello solare accessorio opzionale (*modello n.119756C – visita il sito www.bushnell.com per ulteriori informazioni*) al jack "DC In" nella parte inferiore della **Core Trail Camera** (*non utilizzare altri alimentatori esterni, poiché la fotocamera e/o il display potrebbero non funzionare correttamente*). Se il pannello solare è collegato e sono state installate le batterie AA, la **Core Trail Camera** verrà alimentata dalla batteria ricaricabile agli ioni di litio del pannello solare, purché questa fornisca una tensione adeguata (in caso contrario, la fotocamera passerà all'alimentazione a batteria). Di notte, la fotocamera sarà alimentata dalla batteria del pannello solare.

Inserimento della scheda SD

Prima di iniziare a utilizzare la fotocamera, inserire la scheda SD (con l'interruttore di accensione della fotocamera in posizione **OFF**). Non inserire o rimuovere la scheda SD quando l'interruttore di alimentazione è in posizione **ON**.

La **Core Trail Camera** utilizza una scheda di memoria SD (Secure Digital) standard per salvare le foto (in formato .jpg) e/o i video (in formato .mp4). Sono supportate schede SD e SDHC (ad alta capacità) fino a una capacità massima di 32 GB. Per utilizzare le impostazioni video 1280x720 o 1920x1080, si consiglia l'uso di schede SD ad alta velocità (SanDisk® SDHC di classe 6 o superiore). Prima di inserire la scheda SD nell'apposito slot dopo aver aperto il coperchio anteriore della fotocamera, assicurarsi che l'interruttore di protezione dalla scrittura sul lato della scheda sia posizionato su "Off" (NON in posizione "Lock"). Qui di seguito vengono descritti l'inserimento e la rimozione della scheda SD:

- Inserire la scheda SD nell'apposito slot con l'etichetta rivolta verso l'alto (vedere *sotto*). Un "clic" indica che la scheda è stata installata correttamente. Se viene rivolto verso l'alto il lato sbagliato della scheda, non sarà possibile inserirla senza forzatura: c'è solo un modo corretto per inserire le schede. Se la scheda SD non è installata correttamente, il dispositivo non visualizzerà l'icona della scheda SD sul display LCD in modalità SETUP (se la scheda è bloccato, l'icona della scheda SD visualizzata dopo il posizionamento dell'interruttore sulla modalità SETUP conterrà un simbolo di "blocco"). È consigliabile formattare la scheda SD utilizzando la funzione "Format" della **Core Trail Camera** prima di utilizzarla per la prima volta, specialmente quando una scheda è stata utilizzata su altri dispositivi (vedere pagina 23, "Format" per i dettagli).
- Per estrarre la scheda SD, premere delicatamente la scheda (non cercare di estrarla senza prima premere). Quando si sente il clic, la scheda viene espulsa dallo slot ed è pronta per essere rimossa. **AVVERTENZA:** prima di inserire o rimuovere le schede SD o le batterie, assicurarsi che la fotocamera sia spenta.



UTILIZZO DELLA CORE TRAIL CAMERA

Una volta preparata la **Core Trail Camera** installando correttamente le batterie e una scheda SD, è possibile portarla semplicemente fuori, fissarla a un albero, accenderla e andarsene, e ottenere le bellissime foto che sono lo scopo finale dell'utilizzo del dispositivo.

Tuttavia, consigliamo vivamente di trascorrere prima un po' di tempo al chiuso con questo manuale e la fotocamera fino a quando non si conoscerà meglio il funzionamento dell'interruttore a 3 posizioni e dei tasti direzionali. Se non altro, sarà almeno possibile configurare la data e l'ora in modo che la fotocamera le aggiunga (o meno, la scelta sta all'utente) sulle foto man mano che vengono scattate,

imparare a impostare la fotocamera per riprendere dei video invece che scattare delle foto, se lo si desidera, e leggere alcuni suggerimenti sul fissaggio ad un albero.

MODALITÀ OFF, ON E SETUP

La **Core Trail Camera** dispone di tre modalità operative di base:

- Modalità **OFF**: interruttore di accensione in posizione **OFF**.
- Modalità **ON**: interruttore di accensione in posizione **ON** (schermo LCD spento).
- Modalità **SETUP**: interruttore di accensione in posizione **SETUP** (schermo LCD acceso).

MODALITÀ OFF

La modalità **OFF** è la modalità "sicura" per eseguire qualsiasi operazione, ad esempio la sostituzione della scheda SD o delle batterie, oppure il trasporto del dispositivo. La modalità **OFF** si utilizza anche quando si collega la fotocamera alla porta USB di un computer per scaricare le foto/video. E, ovviamente, la modalità **OFF** è da selezionare quando si ripone la fotocamera o non la si utilizza. Si noti che, anche in modalità **OFF**, la **Core Trail Camera** consuma comunque energia anche se a un livello molto basso. Pertanto, se la fotocamera non verrà utilizzata per un lungo periodo, è opportuno rimuovere le batterie dal vano batterie.

MODALITÀ ON

Dopo l'inserimento delle batterie e della scheda SD, è possibile accendere la fotocamera in qualsiasi momento. Quando l'interruttore di alimentazione viene spostato nella posizione superiore, la fotocamera entra in modalità **ON** (Live). L'indicatore di movimento LED (*pag. 6, "Vista anteriore"*) lampeggerà in rosso per circa 10 secondi. Questo tempo consente di chiudere il coperchio anteriore della **Core Trail Camera**, bloccarlo e lasciare l'area monitorata. Una volta in modalità **ON**, non sono necessari o possibili controlli manuali (i tasti di controllo non hanno alcun effetto). La **Core Trail Camera** scatta automaticamente foto o video (in base alle impostazioni dei parametri correnti) quando viene attivata dal rilevamento dell'attività da parte del sensore PIR nell'area coperta.

È possibile spostare l'interruttore di alimentazione direttamente dalla modalità **OFF** alla modalità **ON** oppure impostarlo prima sulla posizione **SETUP** per modificare una o più impostazioni, quindi spostare l'interruttore su **ON** dopo aver concluso le impostazioni.

MODALITÀ SETUP

Nella modalità **SETUP** è possibile controllare e modificare le impostazioni della **Core Trail Camera** utilizzando lo schermo LCD integrato. Queste impostazioni, che si trovano nel menu **SETUP**, consentono di modificare la risoluzione di foto o video, l'intervallo tra le foto, l'attivazione della marcatura temporale, ecc. Spostando l'interruttore di accensione sulla posizione **SETUP** il display LCD si accende e compare una schermata informativa che mostra il numero di immagini scattate, il livello della batteria, la modalità foto o video selezionata, ecc. (*Fig. 3, prossima pagina*).

NOTA: spostare sempre l'interruttore di alimentazione dalla modalità **OFF** alla modalità **SETUP**.

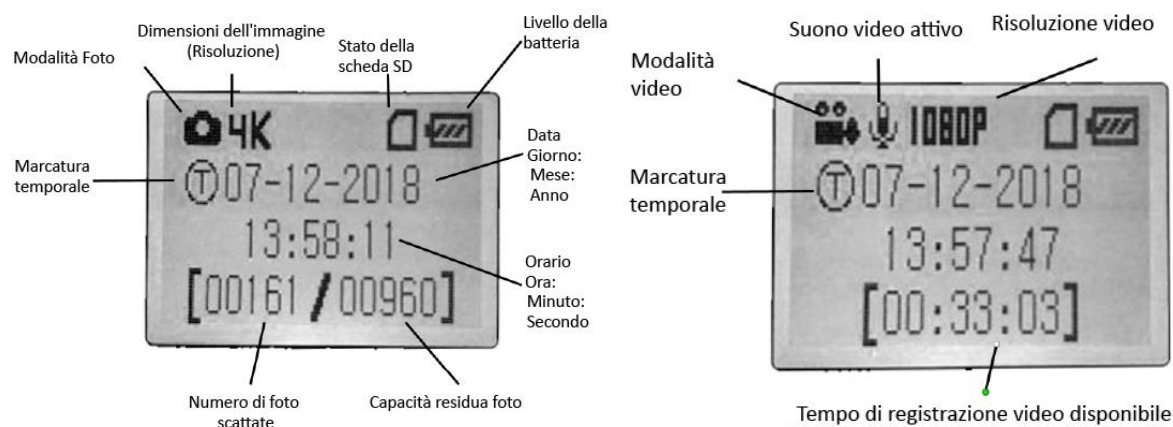
Passando dalla modalità **ON** alla modalità **SETUP**, la fotocamera potrebbe bloccarsi. In tal caso, spostare semplicemente l'interruttore sulla modalità **OFF** e quindi spostarlo nuovamente su **SETUP**.

Tasti di scelta rapida/Funzioni in modalità SETUP

Come accennato in precedenza nella sezione "Componenti e Comandi", quando la fotocamera passa alla modalità **SETUP** (senza che sia premuto il pulsante **MENU**) quattro dei tasti direzionali accanto al display LCD sono associati alla scelta rapida di funzioni secondarie:

- Premere il pulsante **UP** per impostare rapidamente la fotocamera in modalità video.
- Premere il pulsante **DOWN** per impostare rapidamente la fotocamera in modalità foto.
- Premere il pulsante **RIGHT** per attivare manualmente lo scatto. Questa funzionalità è utile per testare la fotocamera: assicurarsi di essere in modalità **SETUP**, premere il pulsante **RIGHT** e dopo pochi secondi una foto o un video (a seconda di come è stata impostata la fotocamera) saranno salvati sulla scheda SD (o sulla memoria interna se non è stata inserita nessuna carta). Il contatore denominato "numero di immagini scattate" in basso a sinistra dello schermo LCD aumenterà di un'unità. Se il display indica "SD LOCKED" quando si preme il pulsante SHOT, spegnere la videocamera, rimuovere la scheda SD e sbloccarla facendo scorrere il cursore.

Fig. 3: Schermata informazioni di SETUP (119936C/119938C)



UTILIZZO DEL MENU DI CONFIGURAZIONE PER MODIFICARE LE IMPOSTAZIONI

Lo scopo principale della modalità **SETUP** è permettere di modificare le impostazioni dei parametri della fotocamera (*le parametri disponibili variano con l'uso delle configurazioni predefinite: vedere pag. 18 per maggiori dettagli*) in modo che la **Core Trail Camera** funzioni esattamente come desiderato. È possibile farlo entrando nel menu **SETUP** e premendo i tasti accanto al display LCD, che mostreranno ogni parametro e le sue impostazioni.

Modifica delle impostazioni dei parametri in modalità SETUP

La **Core Trail Camera** offre una vasta gamma di opzioni o "parametri" per permettere di impostarla secondo le proprie preferenze di funzionamento. Per cambiare l'impostazione di qualsiasi parametro, è prima necessario accedere alla modalità **SETUP**. Una volta in modalità **SETUP**, premendo il pulsante **MENU** è possibile selezionare qualsiasi parametro e modificarne le impostazioni. Sul display LCD, sono visualizzati il nome del parametro e la sua impostazione corrente. Premendo il pulsante **RIGHT** o **LEFT** si passa al parametro precedente o successivo (pulsante **RIGHT** per passare al parametro successivo e pulsante **LEFT** per tornare al parametro precedente), e la pressione dei pulsanti **UP** o **DOWN** permette di selezionare un'impostazione diversa per il parametro attualmente visualizzato. Dopo aver selezionato la nuova impostazione desiderata per un parametro, premere il pulsante **ENTER** per salvare la nuova configurazione (rendendo effettiva la modifica). Al termine della modifica delle impostazioni di uno o più parametri, premere nuovamente **MENU** per uscire dal menu **SETUP**. Il pulsante **MENU** può anche essere premuto ogni volta che si desidera annullare la modifica

dell'impostazione di un parametro dopo aver selezionato una nuova impostazione (quando ancora il pulsante OK non è stato premuto). Dopo aver impostato i parametri secondo le proprie preferenze, assicurarsi di spostare l'interruttore su **ON** per iniziare effettivamente a scattare foto o video. Se l'interruttore viene lasciato nella posizione **SETUP**, non verrà acquisita nessuna immagine (*a meno che non si prema il pulsante **RIGHT/Shot** dopo essere usciti dal menu*): in realtà, la fotocamera si spegne automaticamente dopo alcuni minuti di inattività.

Visualizzazione delle impostazioni dei parametri

Sullo schermo della **Core Trail Camera** sono visualizzate le impostazioni per ciascun parametro. Viene visualizzata una sola impostazione alla volta, a partire dall'impostazione corrente per il parametro al momento della prima selezione (*pag. 13, Fig. 4a*). Per modificare l'impostazione, utilizzare i pulsanti UP/DOWN per visualizzare la nuova impostazione desiderata (*Fig. 4b*), quindi premere ENTER per "Execute" (apportare effettivamente la modifica a questa impostazione). Per essere certi che questa impostazione sia ora quella corrente, basta premere il pulsante **RIGHT** per passare al parametro successivo, quindi premere il pulsante **LEFT** per tornare a quello precedente. Dovrebbe essere visualizzata l'impostazione appena scelta per il parametro.

Fig .4 Selezione delle impostazioni dei parametri

Premere Menu



(4A)

Premere Down



(4B)

Premere OK

ESEMPI: Modifica delle impostazioni di alcuni parametri comuni

Nelle pagine seguenti, sono presenti delle tabelle che elencano tutti i parametri disponibili nel menu **SETUP**, insieme alle loro possibili impostazioni (o all'intervallo dei valori possibili) e una descrizione dettagliata dell'aspetto controllato dal parametro e dell'effetto delle impostazioni. Leggendo la sezione precedente che illustra in dettaglio la selezione dei parametri e la modifica delle loro impostazioni, dovresti essere possibile iniziare ad accedere direttamente, trovare i parametri che si desiderano e impostare la fotocamera in base alle proprie preferenze. Ma magari potrebbe essere interessante analizzare prima un paio di esempi:

Per modificare le impostazioni di qualsiasi parametro, iniziare sempre con l'interruttore di alimentazione nella posizione **SETUP**. Dopo che il display LCD si accende, premere il tasto **MENU**.

Il primo parametro visualizzato entrando nel menu **SETUP** è "Set Clock". Poiché, per impostazione predefinita, la funzione di marcatura temporale è impostata su "On", la fotocamera stamperà la data e l'ora su ogni foto o video, in base alle presenti impostazioni. Premere **ENTER** e utilizzare i pulsanti **UP/DOWN** per impostare l'ora (formato 24 ore, "00" = mezzanotte, "12" = mezzogiorno), quindi premere il tasto **RIGHT** per passare al campo dei minuti e impostarlo (di nuovo utilizzando i pulsanti **UP/DOWN**). Premere **RIGHT** per passare alla riga inferiore e impostare l'anno, il mese e la data utilizzando lo stesso metodo. Al termine, premere il pulsante **ENTER** per confermare le nuove impostazioni di ora e data.

Ora premere il pulsante **RIGHT** una volta per passare a un altro parametro nel menu. Il parametro che sarà visualizzato è "Mode". Per modificarlo dall'impostazione predefinita di "Fotocamera" (foto fisse) a "Video" (acquisizione di filmati video), premere il pulsante **DOWN** per selezionare l'impostazione "Video". Premere il pulsante **ENTER** per "Execute" (Impostare) la nuova impostazione selezionata per questo parametro.

Ora premere il pulsante **RIGHT** per passare a un altro parametro nel menu. Premendolo tre volte, sarà visualizzato il parametro "Video Size". Provare a utilizzare i pulsanti **UP** e **DOWN** per scorrere la gamma delle impostazioni, quindi premere **ENTER** per selezionare nelle impostazioni la risoluzione di ogni filmato video acquisito dalla fotocamera.

Premendo il pulsante **RIGHT** diverse volte si raggiunge il parametro "Default Set". Evidenziare o selezionare "Execute" (usando **UP** o **DOWN**) e premere **ENTER** per ripristinare tutti i parametri (compresi i parametri Mode e Video Size che sono appena stati modificati) alle impostazioni predefinite originali di fabbrica. Nelle tabelle dei parametri del menu **SETUP** presenti nelle pagine successive, le impostazioni predefinite per ciascun parametro sono indicate in grassetto.

Field Scan 2x con funzione di attivazione in tempo reale

Field Scan è una nuova rivoluzionaria funzionalità della Bushnell **Core Trail Camera**, che consente di monitorare le aree con disponibilità di cibo o i confini del campo con immagini o video in time-lapse. Se impostato su "On", la **Core Trail Camera** scatterà una foto (o registrerà un video) automaticamente all'intervallo prescelto (ad esempio, una volta ogni cinque minuti) durante uno o due intervalli temporali impostati per ogni giorno, **senza richiedere l'attivazione attiva da parte di un animale**. Questa funzionalità offre la possibilità di monitorare il bordo di un campo che può trovarsi a 50 o 140 metri di distanza dalla fotocamera e quindi fuori dalla portata del sensore PIR. Il risultato è una portata effettiva molto maggiore di quanto sarebbe normalmente con la fotocamera dipendente dall'attivazione da parte di animali nelle vicinanze. È un ottimo strumento che permette ai cacciatori di esplorare un intero campo con una sola fotocamera.

Se un animale entra nell'area coperta dal sensore PIR e genera un evento di attivazione durante l'intervallo tra le acquisizioni impostate tramite la funzionalità Field Scan, la fotocamera acquisirà un'immagine o un video come farebbe normalmente, in base alle altre impostazioni del menu. Ecco come impostare e utilizzare Field Scan (assicurarsi di aver prima impostato l'ora corrente in "Set Clock", in modo che la registrazione con Field Scan si avvii e si interrompa alle giuste ore del giorno):

1. Spostare l'interruttore principale su **SETUP**, quindi premere **MENU**.
2. Continuare a premere il pulsante **RIGHT**, scorrendo il menu Setup fino a raggiungere Field Scan.
3. Premere il pulsante **UP** per selezionare On, quindi premere **OK** (*Passaggio 1, pag. 17*). Comparirà l'etichetta "A", che rappresenta il primo blocco temporale che è possibile definire (se lo si desidera, è anche possibile impostare secondo blocco temporale nel corso della giornata denominato "B"). Premere **OK** (*Passaggio 2*). Questo porta alla schermata all'interno della quale è possibile impostare gli orari di Start e Stop, che rappresentano gli orari del giorno ai quali avranno inizio e si concluderanno le registrazioni relative al primo blocco di Field Scan. È possibile impostare questi orari sull'ora e i minuti esatti desiderati, per definire una "finestra" di registrazione che può durare da un minuto a 24 ore.
4. Impostare gli orari [Start] e [Stop], iniziando con l'ora di Start, usando i pulsanti **UP/DOWN** per modificare l'impostazione (*Passaggio 3*). L'impostazione dell'ora è basata su un orologio a 24 ore, con "00" = mezzanotte, "12" = mezzogiorno, "23" = 11 pm, ecc. Per passare all'impostazione successiva, premere il pulsante **RIGHT**, modificare i minuti dell'orario di Start con **UP/DOWN**, quindi passare alle impostazioni di ora e minuti dell'orario di Stop.
5. Dopo aver terminato di impostare i minuti dell'orario di Stop, premere **OK** per confermare le impostazioni per il primo blocco di registrazione di Field Scan. Se lo si desidera, è possibile creare un secondo blocco temporale premendo il pulsante **DOWN** per selezionare "B" (*Passaggio 4*), quindi premendo **OK** e seguendo la stessa procedura per impostare gli orari di Start e Stop per il blocco di Field Scan "B" (*Passaggio 5*). Come esempio di come possa essere utile sfruttare questi due blocchi temporali disponibili, si potrebbe pensare di impostare il blocco temporale "A" di Field Scan per le ore dell'alba dalle 6:00 alle 8:00 e il blocco "B" per catturare le immagini tra le 17:30 e le 19:00. Con questa impostazione non verrebbe acquisita nessuna registrazione di Field Scan tra le 8:00 e le 17:30 e tra le 19:00 e le 6:00.
6. Dopo aver impostato gli orari di Start/Stop per delimitare i blocchi di Field Scan "A" e/o "B", premere **OK**, quindi premere il pulsante **UP** o **DOWN** per selezionare "Interval" e premere **OK** (*Passaggio 6*). L'impostazione "Interval" di Field Scan permette di controllare la frequenza con cui le foto o le riprese video sono registrate durante il blocco/i blocchi temporali definiti tramite le impostazioni di Start e Stop. Le opzioni disponibili sono 60 minuti, 30 minuti, 15 minuti, 5 minuti (impostazione predefinita, anche l'intervallo minimo in modalità video) o 1 minuto (solo in modalità foto). Utilizzare i pulsanti **UP/DOWN** per selezionare la propria preferenza, quindi premere **OK** per salvarla (*Passaggio 7*). Notare che per i video, il valore del parametro "Interval" è indipendente dalla lunghezza di ogni registrazione video: rappresenta la **frequenza** con cui viene avviata la registrazione dei video, non la lunghezza di ciascuno di essi. 7. Ecco un esempio di come funzionerebbe la telecamera in base alle seguenti

impostazioni di Field Scan:

Field Scan: On

Field Scan A:

[Start]: 6:00

[Stop]: 8:00

Field Scan B:

[Start]: 17:30

[Stop]: 19:00

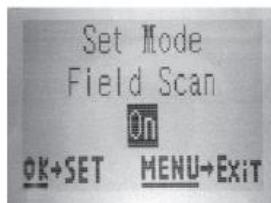
Interval: 15M

Nota: per assicurare il corretto funzionamento, evitare qualsiasi "sovrapposizione" dei blocchi di registrazione A e B di Field Scan durante l'impostazione dei loro orari di avvio e arresto. Inoltre, se il parametro del menu "Camera Mode" è impostato per limitare l'operatività esclusivamente a "Day" o "Night", ciò avrà la priorità sulle impostazioni di Field Scan. Impostare il parametro "Camera Mode" su "24 Hrs" se si impostano orari di avvio e di arresto sia diurni che notturni in Field Scan.

Queste impostazioni fanno sì che la fotocamera acquisisca una foto (o un video, se la fotocamera è impostata su tale modalità) una volta ogni 15 minuti, a partire dalle 6:00, fino a che il blocco di registrazione "A" di Field Scan si arresta alle 8:00. Più tardi, nella stessa giornata, la fotocamera ricomincerà di nuovo a scattare una foto o un video ogni 15 minuti tra le 17:30 e le 19:00 (durante il blocco temporale di Field Scan "B"). Il giorno successivo, la fotocamera registrerà di nuovo un'immagine o un video ogni 15 minuti tra le 6:00 e le 8:00 e tra le 17:30 e le 19:00. Con questa impostazione non verrebbe acquisita nessuna registrazione di Field Scan tra le 8:00 e le 17:30 e tra le 19:00 e le 6:00. Ricordare che la registrazione tramite Field Scan è indipendente dalle normali attivazioni dovute all'attività degli animali, anche se non entra nessun animale

all'interno della zona di rilevamento del sensore IR, verranno comunque acquisiti un'immagine o un video ogni 15 minuti durante il blocco/i blocchi temporali. Se un animale attiva la fotocamera "all'interno" degli intervalli di 15 minuti, la registrazione sarà attivata.

Nota: l'impostazione, su Field Scan, di elevate frequenze di acquisizione e/o prolungati periodi di tempo compresi tra gli orari di avvio e di arresto possono ridurre la durata della batteria.



[Passaggio 1]: impostare la modalità Field Scan su "On"

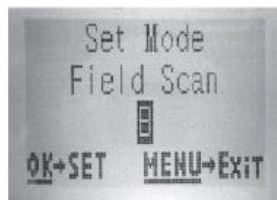


[Passaggio 2]: selezionare Field Scan "A" (premere OK)



[Passaggio 3]: impostare i campi Start e Stop di Field Scan "A"

I passaggi 4 e 5 sono facoltativi (richiesti solo se si desidera impostare un secondo blocco di registrazione Field Scan con tempi di avvio e di arresto differenti)



[Passaggio 4] (opzionale): selezionare Field Scan "B" (premere OK)



[Passaggio 5] (opzionale): impostare i campi Start e Stop di Field Scan "B"

Nota: l'impostazione del campo "Interval" definisce il tempo che intercorre tra due immagini consecutive per i blocchi di registrazione "A" e "B" di Field Scan.



[Passaggio 6]: selezionare Field Scan "Interval"



[Passaggio 7]: impostare il campo "Interval" del Field Scan

Il menu SETUP - Elenco parametri e impostazioni con descrizioni

Parametro	Impostazioni (grassetto = predefinito)	Descrizione
Set Clock	(Set)	Premere OK e utilizzare i pulsanti UP/DOWN (per modificare l'impostazione) e i pulsanti LEFT/RIGHT (per passare al campo successivo) per impostare l'ora (solo formato 24 ore, "00" = mezzanotte, "12" = mezzogiorno) e i minuti e quindi (nella riga inferiore) l'anno, il mese e il giorno.
Mode	Camera , Video	Permette di scegliere se acquisire foto o video all'attivazione della fotocamera
Image Size (ha effetto solo sulle immagini acquisite dalla fotocamera)	3MP , 8MP, 24MP/30MP (119975C/119977C Only)	Permette di scegliere la risoluzione per le foto. Una risoluzione più elevata garantisce un maggiore numero di pixel, ma crea file più grandi che occupano più spazio sulla scheda SD (questa si riempie più rapidamente). 3MP, 8MP, 24MP, 30MP

<p>Capture Number <i>(ha effetto solo sulle foto acquisite in modalità fotocamera)</i></p>	<p>1 Photo, 2 Photo, 3 Photo, 4 Photo, 5 Photo</p>	<p>Permette di scegliere quante foto devono essere scattate in sequenza in occasione dell'attivazione in modalità fotocamera. Questa impostazione influisce anche sulle foto scattate in modalità Field Scan (per consentire, ad esempio, di scattare due foto ogni 10 minuti). <i>Nota: se il parametro "Interval" è impostato su 0,6 secondi, verrà acquisita una sola foto, indipendentemente dall'impostazione del parametro Capture Number. Fare riferimento anche al parametro Interval.</i></p>
<p>Video Size <i>(ha effetto solo sui video acquisiti dalla fotocamera)</i></p>	<p>1920x1080 60FPS (solo 119975C/119977C) 1920x1080 1280x720 640x360</p>	<p>Permette di scegliere la risoluzione video (in pixel per fotogramma). Una risoluzione più elevata produce video di qualità migliore, ma crea file più grandi che occupano più spazio sulla scheda SD (questa si riempie più rapidamente). La risoluzione 640x360 è quella di un video VGA in formato "widescreen" 16:9. L'impostazione più elevata permette di acquisire video HD. Per utilizzare le impostazioni video 1280x720 o 1920x1080, si consiglia l'uso di schede SD ad alta velocità (SanDisk® SDHC di classe 6 o superiore).</p>
<p>Video Length <i>(ha effetto solo sui video acquisiti dalla fotocamera)</i></p>	<p>Intervallo di tempo fisso compreso tra 5S e 60S (impostazione predefinita 10S) o lunghezza variabile dinamica</p>	<p>Imposta la lunghezza del filmato. L'impostazione predefinita è una durata fissa di 10 secondi per filmato, con la possibilità di scegliere la lunghezza all'interno di un intervallo che va da 5S (5 secondi) a 60S (1 minuto). Limite notturno di 15 secondi quando il parametro LED Control è impostato a High.</p> <p>L'impostazione "Dinamica" permette di selezionare una lunghezza video variabile, basata sull'attività degli animali all'interno del campo di rilevamento del PIR, sul parametro Interval <i>(pagina successiva)</i> e sulle impostazioni del parametro LED Control come segue:</p> <p>Con Interval impostato su 0,6 sec: la durata del video è fissata su 10 secondi per attivazione. Se si verifica una nuova attivazione durante gli ultimi 4 secondi di un video, un altro video di 10 secondi verrà registrato immediatamente dopo il primo. Questo comportamento proseguirà indefinitamente fino a quando la carica della batteria è sufficiente, indipendentemente dalle impostazioni del parametro LED Control, sia durante il giorno che durante la notte.</p>

		<p>Con Interval impostato su 2 secondi o più, in caso di video diurni: la durata del video è "adattativa" (determinata dalle nuove attivazioni), con un minimo di 5 secondi. Se si verifica una nuova attivazione negli ultimi 4 secondi di questo primo video, la durata viene estesa di altri 1-4 secondi (in base a quando si verifica la nuova attivazione), con una lunghezza totale massima di 2 minuti di video continuo prima che venga avviata la registrazione di un nuovo video.</p> <p>Con Interval impostato su 2 secondi o più e LED Control=High, in caso di video notturni: uguale al caso diurno, ma la durata massima è di 15 secondi prima che la registrazione venga interrotta e venga acquisito un nuovo video in caso di una nuova attivazione.</p> <p>Con Interval impostato su 2 secondi o più e LED Control=Med/Low, in caso di video notturni: uguale al caso diurno, ma la durata massima è di 60 secondi prima che la registrazione venga interrotta e venga acquisito un nuovo video in caso di una nuova attivazione.</p>
Interval	<p>10S (secondi) predefinito, con un intervallo di impostazioni disponibili tra 60M (minuti) e 0,6S (mezzo secondo). (Gli intervalli tra 60M e 1M sono impostati in incrementi di un minuto, quelli tra 59S e 3S sono impostati in incrementi di un secondo, seguiti dall'impostazione di 0,6S)</p>	<p>Permette di selezionare il tempo che la telecamera "aspetta" fino alla risposta ad attivazioni aggiuntive da parte del PIR dopo che un animale è stato rilevato per la prima volta e rimane all'interno dell'intervallo di rilevamento del sensore. In questo intervallo di tempo impostato dall'utente durante il quale le attivazioni sono ignorate, la fotocamera non acquisisce foto/video. Ciò impedisce alla scheda di riempirsi di troppe immagini ridondanti. L'impostazione assume il valore iniziale predefinito di 10 secondi quando il parametro viene selezionato per la prima volta. Impostando il tempo di intervallo a 0,6 secondi sarà catturato il numero massimo di immagini, ma alcune potrebbero apparire "sbiadite" se l'animale è troppo vicino alla fotocamera di notte. Nota: dopo aver raggiunto il valore "0,6S", l'impostazione ricomincia dal valore "60M".</p>
Format	<p>Execute (seguito da un ulteriore passaggio di conferma No/Sì)</p>	<p>Elimina (cancella) tutti i file memorizzati su una scheda per prepararla per il riutilizzo. Formattare sempre una scheda che è stata precedentemente utilizzata su altri dispositivi.</p>

		Attenzione! Assicurarsi prima di aver scaricato ed eseguito il backup di tutti i file che si desiderano conservare! Premere OK per eseguire, premere MENU (o <i>selezionare NO, quindi premere OK</i>) per uscire senza eseguire la formattazione.
Time Stamp	On, Off	Selezionare "On" se si desidera che la data e l'ora (alle quali l'immagine è stata acquisita) siano impresse su ogni foto/video, selezionare "Off" per non avere nessuna scritta sovrimpressa. Nota: sulle foto saranno sovrimpressi anche la temperatura attuale, la fase lunare e il nome della fotocamera (definito dall'utente).
Video Sound (<i>ha effetto solo sui video acquisiti dalla fotocamera</i>)	On, Off	Selezionare "On" per registrare l'audio insieme al video quando la fotocamera è impostata sulla modalità video (le dimensioni dei file salvati saranno leggermente maggiori).
Sensor Level	Auto, Low, Normal, High	Il parametro Sensor Level impostato ad Auto regola automaticamente il livello del sensore in base alla temperatura dell'ambiente. > 70 °F/21 °C (High); 45 °F/7 °C ~ 70 °F/21 °C (Normal); <45 °F/7 °C (Low), l'impostazione High regola la sensibilità della fotocamera per raggiungere 70', l'impostazione Normal regola la sensibilità della fotocamera per raggiungere 100', l'impostazione Low regola la sensibilità della fotocamera per raggiungere 40'
Camera Mode	24 Hrs, Day, Night	Se lo si desidera, permette all'utente di limitare l'operatività al solo periodo diurno o notturno. Un sensore del livello della luminosità ambientale permette di distinguere automaticamente tra "Giorno" e "Notte".
Default Set	Cancel, Execute	Selezionare "Execute" e premere OK per ripristinare tutti i parametri alle impostazioni predefinite originali di fabbrica. Se la videocamera si comporta in modo strano e si teme di aver modificato le impostazioni in modo accidentale (ma non si è certi di quali impostazioni siano state cambiate), questa operazione ripristina tutti i parametri alle impostazioni più comuni o "generiche".
Version	Nessuna	Visualizza la versione corrente del firmware per riferimento.

UTILIZZO DELLE SCHERMATE DI INPUT DEL MENU SETUP

Inserimento del nome della fotocamera

Dopo aver selezionato il parametro Camera Name (l'unica impostazione è "Input"), premere **OK**. Se necessario, eliminare il nome precedente o quello predefinito premendo il pulsante **RIGHT** finché il simbolo backspace () (situato tra le lettere "A" e "B", e anche tra "j" e "k") è evidenziato, quindi tenere premuto **OK**. Selezionare (evidenziare) ciascun carattere alfanumerico desiderato, utilizzando i pulsanti **LEFT/RIGHT** e premendo **OK** dopo ognuno di essi per impostarlo. Al termine dell'assegnazione del nome alla fotocamera, premere **MENU** per salvare il nome in memoria.

Inserimento delle coordinate

Dopo aver selezionato il parametro Coordinate Input, premere **UP** o **DOWN** per selezionare l'impostazione On e premere **OK**. La latitudine e la longitudine di qualsiasi luogo in cui si intende posizionare la telecamera possono essere ottenute in molti siti Web, come ad esempio: <http://itouchmap.com/latlong.html> . È possibile inserire un indirizzo stradale nelle vicinanze, il solo codice postale o utilizzare i vari tipi di mappe per individuare la posizione approssimativa. Il formato che bisogna utilizzare per inserire le coordinate nella schermata del menu di Core Trail Camera è mostrato di seguito:

Nota: potrebbero essere visualizzate online delle coordinate "negative" di latitudine o longitudine. Queste corrispondono alle latitudini meridionali e alle longitudini occidentali. Le posizioni in USA/Canada presenteranno coordinate di latitudine nord (+) e coordinate di longitudine ovest (-).

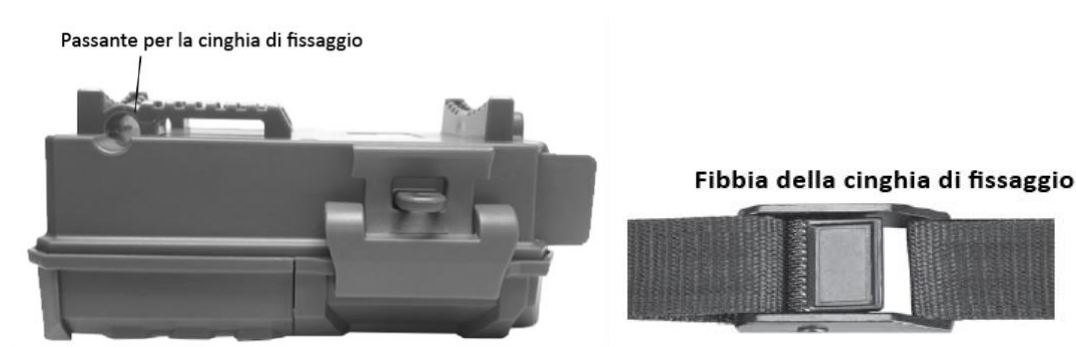
MONTAGGIO e POSIZIONAMENTO del *supporto* per Core Trail Camera

Dopo aver impostato i parametri della fotocamera in base alle preferenze personali a casa o nel proprio veicolo, si è pronti per portarla fuori e per spostare l'interruttore di accensione su "**ON**". Quando si installa la **Core Trail Camera** per la ricerca della selvaggina o per altre applicazioni all'aria aperta, è necessario assicurarsi di montarla correttamente e in modo sicuro.

Raccomandiamo di montare la **Core Trail Camera** su un albero robusto con un diametro di circa 15 cm (6 in). Per ottenere un'immagine dalla qualità ottimale, l'albero dovrebbe trovarsi a circa 5 metri dal luogo da monitorare, con la telecamera posizionata a un'altezza di 1,5-2 m (5-6,5 ft). Inoltre, tenere presente che i migliori risultati in notturna si ottengono quando il soggetto si trova nell'intervallo di flash ideale, non più lontano di 30 m/100 ft (119936C/1198838C) e non più vicino di 3 m/10 ft dalla fotocamera. Esistono due modi per montare la **Core Trail Camera**: utilizzando la cinghia di fissaggio regolabile in dotazione o sfruttando l'attacco per il treppiede.

Uso della cinghia di fissaggio regolabile: la *Fig. 5* illustra l'uso della cinghia di fissaggio sulla **Core Trail Camera**. Far scorrere un'estremità della cinghia di fissaggio attraverso le due staffe sul retro della **Core Trail Camera**. Far passare l'estremità della cinghia attraverso la fibbia. Fissare saldamente la cinghia di fissaggio attorno al tronco dell'albero tirando con fermezza l'estremità della cinghia in modo che non sia presente alcun gioco. Uso dell'attacco per il treppiede: sul lato inferiore, la fotocamera è dotata di un attacco per consentire il montaggio su un treppiede o su altri tipi di sostegni con una filettatura standard 1/4-20.

Fig. 5 Fissaggio della cinghia



Nota: è disponibile anche un accessorio che offre una sorgente di alimentazione supplementare basata su pannello solare (#119756C) - visitare il sito www.bushnell.com per ulteriori informazioni.

Test dell'angolo e della distanza di rilevamento

Per verificare se la **Core Trail Camera** è effettivamente in grado di monitorare l'area prescelta, si consiglia di effettuare questo test per controllare l'angolo e la distanza di rilevamento della **Core Trail Camera**. Per eseguire il test:

- Impostare la **Core Trail Camera** in modalità **SETUP**.
- Compiere dei movimenti davanti alla telecamera in diverse posizioni all'interno dell'area in cui ci si aspetta che passino la selvaggina o i soggetti di interesse. Provare diverse distanze e angoli rispetto alla fotocamera.
- Se la spia del LED dell'indicatore di movimento lampeggia, indica che è in grado di rilevare la posizione, se non lampeggia, quella posizione è al di fuori dell'area di rilevamento. I risultati dei test permetteranno di trovare il miglior posizionamento durante il montaggio e il puntamento della **Core Trail Camera**. L'altezza da terra a cui collocare il dispositivo dovrebbe opportunamente variare in base alla taglia dell'animale. In generale, si consiglia un'altezza tra 1 e 2 metri. Evitando di puntare la fotocamera verso fonti di calore o rami e cespugli (specialmente durante le giornate ventose), è possibile evitare potenziali false attivazioni causate dalla temperatura e dai movimenti non di interesse.

Accensione della fotocamera

Quando si passa alla modalità **ON**, il LED indicatore di movimento (rosso) lampeggia per circa 10 secondi. Questo tempo consente di chiudere e bloccare il coperchio anteriore della **Core Trail Camera** e di lasciare l'area monitorata. Durante questo tempo, il LED dell'indicatore di movimento lampeggia continuamente in rosso. Una volta che smette di lampeggiare, il PIR è attivo e qualsiasi movimento rilevato attiverà l'acquisizione di foto o video come programmato nel menu **SETUP**. Assicurarsi di aver letto le descrizioni dei parametri Capture Number, Interval e Sensor Level. Notare che il PIR è altamente sensibile alla temperatura ambientale. Maggiore è la differenza di temperatura tra l'ambiente e il soggetto, maggiore è la distanza di rilevamento possibile. La distanza di rilevamento media è di circa 18 metri.

Prima di lasciare la videocamera incustodita, verificare quanto segue:

- Le batterie o l'alimentazione DC sono inserite/collegate con la polarità corretta e il livello di carica/alimentazione è sufficiente?

- La scheda SD dispone di spazio libero sufficiente e la sua protezione da scrittura (blocco) è disattivata?
- L'interruttore di accensione è in posizione **ON**? (Non dimenticarlo in posizione **SETUP**).

RIPRODUZIONE/ELIMINAZIONE DELLE FOTO/VIDEO

Dopo aver impostato, montato e attivato la **Core Trail Camera**, cresce naturalmente il desiderio di tornare successivamente e rivedere le immagini acquisite. Ci sono diversi modi per farlo.

Riproduzione delle immagini direttamente dalla scheda SD

Questo è il metodo più comune di visualizzazione delle immagini. Poiché smontare la fotocamera e collegarla al computer potrebbe non essere molto comodo, potrebbe risultare più semplice estrarre semplicemente la scheda. Rimuovendo la scheda SD (ed eventualmente sostituendola con una nuova scheda vuota) e portandola a casa o sul luogo di campeggio per visualizzare le immagini utilizzando un "lettore" di schede SD (*fornito dall'utente*) collegato al computer (alcuni computer e TV dispongono di uno slot per schede SD integrato), è possibile lasciare la fotocamera in posizione pronta per catturare altre immagini. Una volta connesso, il lettore di schede funziona come descritto qui di seguito: leggere questa sezione se si riscontrano problemi nell'individuazione dei file.

RISOLUZIONE DEI PROBLEMI/FAQ

La fotocamera acquisisce immagini di continuo senza un soggetto

Una fotocamera soffre della cosiddetta "falsa attivazione" se il sensore PIR pensa di rilevare movimento e calore davanti all'obiettivo della fotocamera quando non c'è alcun soggetto nell'immagine. Queste "false attivazioni" sono il risultato del posizionamento della fotocamera in un ambiente in cui è presente del movimento associato ai rami degli alberi di fronte alla fotocamera o in un'area in cui è presente una fonte di calore in primo piano e qualsiasi movimento dal vento fa scattare la fotocamera. Una potenziale causa di questo problema è anche il puntamento della fotocamera su uno specchio d'acqua. Per rimediare a questa situazione:

1. Provare a spostare la videocamera in un'area che non presenta nessuno di questi problemi o provare a modificare il livello del sensore nelle impostazioni del menu.
2. Se la fotocamera continua a scattare foto quando non è presente alcun soggetto, provare a collocare la fotocamera in un ambiente interno e puntare verso una posizione in cui non vi è movimento.
3. Se la fotocamera continua a mostrare problemi, probabilmente c'è un problema con il componente elettronico. In questo caso, contattare il nostro servizio clienti per restituire la fotocamera per la riparazione.

La durata della batteria è più breve del previsto

1. La durata della batteria varia in base alla temperatura operativa e al numero di immagini scattate nel tempo. Impostando il tempo del parametro Interval su 0,6 secondi si riduce la durata della batteria. In genere, la **Core Trail Camera** è in grado di catturare diverse migliaia di immagini prima che le batterie si esauriscano.
2. Verificare di aver utilizzato batterie alcaline o al litio nuove. Per ottenere la massima durata delle batterie, Bushnell consiglia l'utilizzo, nella Core Trail Camera, di batterie al litio AA Energizer®.
3. Assicurarsi che l'interruttore di alimentazione sia stato impostato su "On" e che la fotocamera non sia stata lasciata sul campo in modalità "Setup".
4. Assicurarsi di utilizzare una scheda SD di buona qualità nella fotocamera. Bushnell consiglia l'utilizzo di schede SD SanDisk® fino a 32 GB (*Serie Ultra® o Extreme® per video HD*). Secondo la nostra esperienza, schede SD di scarsa qualità possono a volte ridurre la durata della batteria della **Core Trail Camera**.

La fotocamera smette di scattare o non acquisisce le immagini

1. Assicurarsi che la scheda SD non sia piena. Se la scheda è piena, la fotocamera smetterà di acquisire foto.
2. Controllare le batterie per assicurarsi che siano batterie AA alcaline o al litio nuove. *Vedere la nota precedente sulla durata della batteria.*
3. Assicurarsi che l'interruttore di alimentazione della fotocamera sia in posizione "**On**" e non nelle modalità "**Off**" o "**Setup**".
4. Assicurarsi di utilizzare una scheda SD di buona qualità nella fotocamera. Bushnell consiglia l'utilizzo di schede SD SanDisk® fino a 32 GB (*Serie Ultra® o Extreme® per video HD*).
5. Se la scheda SD presenta l'interruttore di protezione dalla scrittura nella posizione di blocco, la fotocamera non acquisirà le immagini.
6. Se la scheda SD è stata utilizzata in un altro dispositivo prima di essere inserita nella **Core Trail Camera**, si potrebbe provare a formattare la scheda utilizzando il parametro "Format" in modalità Setup (assicurarsi di aver prima eseguito il backup di tutti i file importanti, poiché la formattazione cancellerà tutti i file precedentemente memorizzati). In alcuni casi, altri dispositivi potrebbero modificare la formattazione della scheda SD in modo tale che non funzioni correttamente con la **Core Trail Camera**.

La fotocamera non si accende

1. Assicurarsi di aver installato 8 batterie nel vano batterie. Bushnell consiglia l'utilizzo di batterie al litio AA Energizer® nella Core Trail Camera.
2. Assicurarsi che le batterie siano installate correttamente, rispettando la corretta polarità. Posizionare sempre l'estremità negativa (piatta) di ciascuna batteria a contatto con il lato della molla presente nell'alloggiamento all'interno della fotocamera.
3. Dopo aver spostato l'interruttore da "Off" a "Setup" o "On", accertarsi che l'interruttore sia posizionato correttamente per attivare la modalità desiderata (evitare le posizioni "intermedie" tra due modalità).
4. Non spostare l'interruttore direttamente da "On" a "Setup", spostare sempre l'interruttore fino in fondo su "Off", quindi tornare su "Setup". **Problemi di qualità di foto e/o video**

1. Le foto o i video notturni appaiono troppo scuri

- a. Controllare l'icona dell'indicatore dello stato della batteria per verificare se la batteria è carica. All'approssimarsi dell'esaurimento delle batterie, il flash smetterà di funzionare.
- b. I migliori risultati si ottengono quando il soggetto si trova nell'intervallo di flash ideale, non oltre 24 m/80 ft (119876C/119877C) o 30 m/100 ft (119874C/119875C). I soggetti possono apparire troppo scuri a distanze maggiori.
- c. Si noti che quando il parametro Capture Number è impostato su un valore superiore a "1Photo", o con impostazioni del parametro Interval molto brevi, alcune immagini potrebbero apparire più scure di altre a causa della risposta rapida e della riattivazione immediata della fotocamera, che lascia meno tempo al flash per ricaricarsi prima di lampeggiare di nuovo.
- d. Assicurarsi che "LED Control" nel menu di configurazione sia impostato su "High" per garantire la massima potenza. Verificare che "NV Shutter" nel menu sia impostato su "Auto" e non su "High", in quanto alte velocità dell'otturatore potrebbero produrre immagini più scure.
- e. Lo schermo ARD (dispositivo antiriflesso) può essere rimosso per massimizzare la potenza del flash. Vedere *pagina 29* per maggiori dettagli.

2. Le foto o i video diurni appaiono troppo scuri

Assicurarsi che la fotocamera non sia puntata verso il sole o altre fonti di luce durante il giorno, in quanto ciò potrebbe indurre l'esposizione automatica a produrre risultati più scuri.

3. Le foto o i video notturni appaiono troppo luminosi

Se il soggetto è vicino alla fotocamera (meno di 3 metri/10 piedi), modificare il parametro LED Control nel menu Setup su "Medium" o "Low". Impostare l'intervallo di attivazione su 2S o un valore superiore.

4. Le foto o i video diurni appaiono troppo luminosi

Assicurarsi che il sensore di luminosità non si trovi all'ombra (di foglie degli alberi/rami) mentre l'obiettivo della fotocamera è puntato verso un'area luminosa durante il giorno.

5. Foto con soggetti striati

- a. In alcuni casi, in condizioni di scarsa illuminazione e soggetti in rapido movimento, le impostazioni di risoluzione 4K o HIGH potrebbero non funzionare bene al pari dell'impostazione HD.
- b. Se sono presenti più immagini in cui soggetti in movimento producono strisce sulla foto, prova ad utilizzare l'impostazione HD.
- c. Per ridurre la sfocatura dovuta al movimento, impostare il parametro Interval su 2S o un valore superiore.
- d. Impostare il parametro "NV Shutter" su "High" per minimizzare la sfocatura dovuta al movimento.

6. Colorazioni con rosso, verde o blu dominanti

a. In determinate condizioni di illuminazione, il sensore può essere disorientato dando origine a immagini con colori di scarsa qualità.

b. Se questo accade in modo costante, allora il sensore potrebbe aver bisogno di manutenzione. Contattare l'assistenza clienti Bushnell.

7. Riprese video ridotte, mancata registrazione per la lunghezza prevista

a. Verificare che la scheda SD non sia piena.

b. Assicurarsi che la fotocamera sia dotata di batterie di buona qualità. All'approssimarsi dell'esaurimento delle batterie, la fotocamera può scegliere di registrare filmati più brevi per risparmiare energia.

c. Quando il parametro LED Control è impostato su "High" e la fotocamera è in modalità Video, la durata massima del video in modalità "Dynamic" di notte è di 15 secondi, per evitare il potenziale surriscaldamento delle batterie e/o dei componenti elettronici. La durata massima del video disponibile in modalità "Dynamic" durante il giorno è di 2 minuti.

La marcatura temporale con data/ora non appare sulle immagini

Assicurarsi che il parametro "Time Stamp" sia impostato su "On".

Le foto non catturano il soggetto di interesse

16. Controllare l'impostazione del parametro "Sensor Level" (sensibilità PIR). In condizioni di alte temperature, impostare il parametro Sensor Level su "High" e per l'utilizzo a basse temperature, impostare il parametro Sensor Level su "Low". Per condizioni meteorologiche variabili, utilizzare "Auto".

17. Provare a installare la fotocamera in un'area in cui non è presente una fonte di calore nella linea visiva della videocamera.

18. In alcuni casi, l'installazione della fotocamera nei pressi di uno specchio d'acqua farà sì che la fotocamera scatti immagini senza alcun soggetto. Provare a puntare la fotocamera a terra.

19. Cercare di evitare di posizionare la videocamera su alberi piccoli soggetti a movimenti dovuti al forte vento.

20. Rimuovere i rami che si trovano proprio davanti all'obiettivo della fotocamera.

Il LED del sensore PIR lampeggia/non lampeggia

1. Quando la fotocamera è in modalità "Setup", uno speciale LED sulla parte anteriore della fotocamera lampeggerà al momento del rilevamento del movimento. Ciò avviene solo durante la fase di impostazione e permette all'utente di puntare correttamente la fotocamera.

2. Durante l'uso, in occasione dell'acquisizione di un'immagine, il LED non lampeggerà. Ciò avviene per mantenere la fotocamera celata agli occhi della selvaggina.

Problemi con lo schermo LCD

1. *Lo schermo LCD si accende ma non è presente alcun testo.*

a. Dopo aver spostato l'interruttore da "Off" a "Setup" o "On", accertarsi che l'interruttore sia posizionato correttamente per attivare la modalità desiderata (evitare le posizioni "intermedie" tra due modalità).

b. Non spostare l'interruttore direttamente da "On" a "Setup", spostare sempre l'interruttore fino in fondo su "Off", quindi tornare su "Setup".

2. *Lo schermo LCD mostra una linea nera debole dopo essere passato da "Setup" a "On".* Il display LCD si spegne quando si fa scorrere l'interruttore sulla posizione "On". In alcuni casi, questa apparirà questa

linea nera che svanirà dopo circa 1 secondo. Questo è un comportamento normale e la fotocamera funzionerà correttamente.

3. Lo schermo si accende ma poi si spegne

Assicurarsi di aver installato correttamente la scheda SD.

La fotocamera non mantiene le impostazioni

Accertarsi di aver salvato le modifiche alle impostazioni dei parametri effettuate durante la modalità Setup, premendo "OK" dopo aver modificato ogni impostazione. Se non si salva la nuova impostazione dopo averla modificata, la fotocamera continuerà a utilizzare l'impostazione predefinita originale per quel parametro.

Umidità o formiche all'interno della fotocamera

1. Per garantire che l'umidità o la pioggia non penetrino all'interno della fotocamera, fissare saldamente il tappo di copertura dell'ingresso DC.

2. Le formiche possono essere attratte dalle vibrazioni elettroniche di bassa intensità ed entrare attraverso qualsiasi spazio tra l'esterno e l'interno della fotocamera. Assicurarsi che il tappo di copertura dell'ingresso DC sia fissato saldamente.

La funzionalità Field Scan (Time Lapse) non funziona correttamente

1. Assicurarsi che gli orari di arresto e di avvio di Field Scan "A" e "B" non si sovrappongano (ad esempio, non impostare l'ora di avvio di "B" su 8:00 se il tempo di arresto di "A" è 10:00).

2. Quando si utilizza la funzionalità Field Scan in modalità video, l'intervallo minimo disponibile è di 5 minuti, per evitare il potenziale surriscaldamento delle batterie e dei componenti elettronici, che potrebbe causare guasti operativi o danni alla fotocamera. In modalità foto, può essere impostato un intervallo di 1 minuto.

ATTENZIONE: NON UTILIZZARE l'impostazione del parametro Interval a 0,6 secondi per i video notturni di mangiatoie per uccelli o ambienti simili. Ciò potrebbe far sì che i LED continuino a funzionare per un lungo periodo di tempo, il che potrebbe surriscaldare e ridurre la durata operativa dei componenti elettronici interni.

Non mischiare batterie vecchie e nuove.

Non utilizzare assieme tipi di batteria diverse, usare TUTTE batterie al litio o TUTTE batterie alcaline.

Le batterie ricaricabili sono sconsigliate.

SPECIFICHE TECNICHE

Dimensione massima in pixel

119936C/119938C: 6528x3672 (16:9)

119975C/119977C: 7296x4104 (16:9)

Obiettivo F = 2,8;

Campo Visivo (Field of View, FOV) = 38°;

Portata Flash IR

Selezionabile (Low/Med/High), > 30 m/100 ft (119975C/119977C), > 30 m/100 ft (119936C/119938C)

Display

Display monocromatico (119936C/119938C): 21 x 30 mm (1,5")

Display a colori (solo 119975C/119977C): 2,4"

Scheda di memoria

Scheda SD o SDHC, capacità massima 32 GB (*Classe 6 o superiore per video HD 1280x720 o 1920x1080*)

Dimensioni immagine (pixel) 3 MP = 2304x1296, 8 MP = 3840x2160, 24 MP = 6528x3672

.3 MP = 2304x1296, 8 MP = 3840x2160, 30 MP = 7296x4104

Dimensione video

640x360p, 1280x720p, 1920x1080p @ 30 fps (giorno)/15 fps (notte)

1280x720p, 1920x1080 @ 30 fps (giorno)/30 fps (notte), 1920x1080 @ 60 fps (giorno)/60 fps (notte)

Sensibilità PIR Hyper PIR con 4 impostazioni di sensibilità: Low/Normal/High/Auto

Attività

Selezionabile dall'utente: 24 ore, solo giorno o solo notte (in base al livello di luce ambientale)

Tempo di risposta 0,2 secondi (foto), 1,0 secondi (video)

Intervallo di attivazione programmabile tra 0,6 sec.e 60 minuti

Numeri di scatti programmabili da 1 a 3

Lunghezza video

Intervallo di impostazione della durata del video a lunghezza fissa tra 5 e 60 secondi. Consultare *pag. 21* per i dettagli sui video dalla lunghezza dinamica (basati sull'attivazione, dipendenti dal parametro Interval e dalle impostazioni dei LED).

Alimentatore si consigliano 8 batterie AA, 4 batterie AA come alimentazione di emergenza

Consumo di corrente in stand-by < 0,08 mA (< 7 mAh/giorno)

Otturatore per la visione notturna

Velocità

Selezionabile dall'utente (Auto/High): ha effetto solo sull'acquisizione di foto/video notturni (NV)

Interfaccia USB; Supporto per scheda SD; alimentazione DC esterna (12 v)

Cinghia di fissaggio di sicurezza; attacco ¼-20

Temperatura

di esercizio

-20 - 60 °C (Temperatura di conservazione: -30 - 70 °C)

Livello di umidità di esercizio 5% - 90%

GARANZIA LIMITATA DI DUE ANNI

Il tuo prodotto Bushnell® è garantito dai difetti nei materiali e nella lavorazione per due anni dalla data di acquisto. In caso di un difetto ai sensi della presente garanzia, a nostra discrezione, ripareremo o sostituiremo il prodotto, a condizione che questo venga restituita con spese di spedizione a carico del cliente.

La presente garanzia non copre i danni causati da uso non corretto e da uso, installazione o manutenzione non corretti da parte di soggetti diversi da un centro di assistenza autorizzato Bushnell.

Qualsiasi reso effettuato ai sensi di questa garanzia deve essere accompagnato dagli articoli elencati di seguito:

- Un assegno/vaglia postale dell'importo di 10,00 USD per coprire le spese di spedizione e gestione.
- Nome, indirizzo e numero di telefono diurno per la restituzione del prodotto.
- Una spiegazione del difetto.
- Copia della prova d'acquisto datata.

Non inviare accessori (batterie, schede SD, cavi), solo il prodotto da riparare.

Il prodotto deve essere ben imballato in una robusta scatola per spedizioni per evitare danni durante il trasporto e deve essere spedito all'indirizzo indicato di seguito:

IN U.S.A. inviare a: IN CANADA inviare a:

Bushnell Outdoor Products Bushnell Outdoor Products

Attn.: Repairs Attn.: Repairs

9200 Cody 140 Great Gulf Drive, Unit # B

Overland Park, Kansas 66214 Vaughan, Ontario L4K 5W5

Specifiche e design sono soggetti a modifiche senza alcun obbligo di preavviso da parte del produttore.

DICHIARAZIONE DI CONFORMITÀ FCC:

Dichiarazione FCC

Modifiche non espressamente approvate da Bushnell® potrebbero annullare il diritto all'utilizzo del dispositivo da parte dell'utente.

Nota: il presente dispositivo è stato collaudato ed è risultato conforme ai limiti stabiliti per i dispositivi digitali di Classe B, ai sensi della Parte 15 delle Normative FCC. Questi limiti sono stati concepiti per fornire una protezione ragionevole contro le interferenze dannose in un'installazione residenziale. Questo apparecchio genera, utilizza e può irradiare energia a radiofrequenza e, se non installato e usato in conformità con il manuale di istruzioni, può causare interferenze dannose alle radiocomunicazioni. Non vi è tuttavia alcuna garanzia che tali interferenze non si verifichino in una particolare installazione. Se questa apparecchiatura causasse interferenze dannose alla radioricezione e alla telericezione (come è possibile appurare disattivando e attivando l'apparecchiatura), l'utente è invitato a provare a correggere l'interferenza applicando una o alcune delle misure di seguito indicate:

- Riorientare o riposizionare l'antenna ricevente.
- Aumentare la distanza tra l'apparecchiatura e il ricevitore.
- Collegare l'apparecchiatura a una presa posta su un circuito diverso da quello al quale è collegato il ricevitore.
- Consultare il rivenditore o un tecnico radiotelevisivo esperto per assistenza.

Affinché l'apparecchiatura sia conforme ai limiti stabiliti per i dispositivi digitali di Classe B, ai sensi della Parte 15 delle Normative FCC, è necessario l'utilizzo di un cavo di interfaccia schermato. Specifiche e design sono soggetti a modifiche senza alcun obbligo di preavviso da parte del produttore.

Questo dispositivo è conforme alla Parte 15 delle Norme FCC. L'operatività è soggetta alle due seguenti condizioni: (1) questo dispositivo non può causare interferenze dannose e (2) questo dispositivo deve

accettare qualsiasi interferenza ricevuta, incluse le interferenze che potrebbero comprometterne il funzionamento. Si noti che eventuali modifiche o cambiamenti non espressamente approvate dall'ente responsabile della conformità potrebbero annullare il diritto all'utilizzo del dispositivo da parte dell'utente.



Smaltimento delle apparecchiature elettriche ed elettroniche
(Applicabile nell'UE e in altri paesi europei con sistemi di raccolta differenziata)

Questa apparecchiatura contiene parti elettriche e/o elettroniche e pertanto non deve essere smaltita come normale rifiuto domestico. Dovrebbe invece essere smaltita presso i punti di raccolta per il riciclaggio messi a disposizione dalle amministrazioni locali. Per l'utilizzatore finale, il servizio è gratuito.

Se l'apparecchiatura contiene batterie intercambiabili (ricaricabili), anche queste devono essere rimosse prima e, se necessario, a loro volta smaltite secondo le norme vigenti (vedere anche le relative indicazioni tra le istruzioni di questa unità).

Ulteriori informazioni sull'argomento sono disponibili presso la propria amministrazione locale, l'azienda locale di raccolta dei rifiuti o il negozio in cui è stata acquistata questa apparecchiatura.

Per ulteriori domande o informazioni contattare:

Bushnell Outdoor Products
9200 Cody, Overland Park, Kansas 66214
(800) 423-3537 • www.bushnell.com

©2019 Bushnell Outdoor Products

Bushnell®



CORE™

CORE™ DS
DUAL SENSOR
THE DIFFERENCE IS NIGHT AND DAY

Handleiding

Model #: 119936C / 119938C / 119975C / 119977C

Dutch / néerlandais / holandés / olandese / Nederlands

Kurzanleitung (für die Modelle 119936C / 119938C / 119975C / 119977C)

Die vollständige Bedienungsanleitung finden Sie unter: www.bushnell.com

Erste Schritte mit Ihrer Wildkamera von Bushnell:

21. Legen Sie 6 AA-Batterien (Lithium* oder Alkali) und eine SD-Karte (max. 512 GB) ein.
*Es werden Lithiumbatterien empfohlen
22. Schalten Sie die Kamera an dem Ort ein, an dem Sie sie platzieren möchten.
23. Montieren Sie die Kamera mit dem Gurt am Baum.
24. Ihre Kamera kann jetzt mit den Standardeinstellungen verwendet werden: Foto-Modus, 10-Sekunden-Intervalle zwischen Fotos, 3-MP-Auflösung.
25. Über das Display können die Standardeinstellungen auch angepasst werden (z. B. wenn Sie lieber Videos oder Fotos mit einer anderen Auflösung aufnehmen oder die Intervallzeiten ändern möchten).

(Weitere Details finden Sie in der vollständigen Bedienungsanleitung unter www.bushnell.com)

Kundendienst: 800-423-3537

www.bushnell.com

WICHTIGER HINWEIS

Herzlichen Glückwunsch zum Kauf einer der besten Wildkameras auf dem Markt! Bushnell ist sehr stolz auf diese Kamera und wir sind sicher, dass Sie ebenfalls damit zufrieden sein werden. Ihr Vorhaben liegt uns am Herzen und wir möchten uns Ihr Vertrauen verdienen. Bitte beachten Sie die folgenden Hinweise und Anweisungen in dieser Anleitung, um sich mit diesem Produkt vollkommen vertraut zu machen.

Wenn Ihre Core Trail Camera von Bushnell nicht richtig funktioniert oder Probleme mit der Foto- / Videoqualität auftreten, **lesen Sie den Abschnitt „Fehlerbehebung und häufige Fragen“ auf den Seiten 136–140.**

Probleme sind oft auf etwas zurückzuführen, das einfach übersehen wurde, oder erfordern nur das Ändern einer Einstellung, um sie zu lösen.

Wenn Ihr Problem weiterhin besteht, nachdem Sie die Lösungsmöglichkeiten im Abschnitt „Fehlerbehebung und häufige Fragen“ ausprobiert haben, **wenden Sie sich bitte an den Bushnell-Kundendienst unter (800) 423-3537.** In Kanada wählen Sie bitte (800) 361-5702.

Mischen Sie keine alten und neuen Batterien.

Verwenden Sie keine unterschiedlichen Batterietypen in einem Set. Nutzen Sie entweder nur Lithium- oder nur Alkali-Batterien.

Bushnell empfiehlt, für Ihre Core Trail Camera SanDisk® SDHC-Karten der Klasse 6 oder schneller (und mit einer Kapazität von bis zu 32 GB) zu verwenden.

EINFÜHRUNG

Über die Core Trail Camera

Die **Core Trail Camera** von Bushnell ist eine digitale Aufklärungskamera. Sie kann an einem beliebigen Ort durch jede Bewegung ausgelöst werden, die von einem hochempfindlichen Passiv-Infrarot-Bewegungssensor (PIR-Sensor) erkannt wird und nimmt daraufhin qualitativ hochwertige Bilder (bis zu 24 MP oder 30 MP) oder Videoclips auf.

Die **Core Trail Camera** verbraucht im Standby-Modus (Überwachungsmodus) sehr wenig Energie (weniger als 0,08 mA). Dies bedeutet, dass das Gerät bis zu sechs Monate im Standby-Modus verbleiben kann, wenn es mit vollständig aufgeladenen AA-Alkali-Batterien betrieben wird, und bis zu zwölf Monate, wenn AA-Lithium-Batterien verwendet werden. Sobald das Gerät eine Bewegung im überwachten Bereich erkennt, wird die digitale Kameraeinheit sofort ausgelöst (normalerweise innerhalb einer halben Sekunde) und nimmt dann automatisch Fotos oder Videos gemäß den zuvor programmierten Einstellungen auf. Die **Core Trail Camera** ist mit eingebauten Infrarot-LEDs ausgestattet, die als Blitz fungieren, sodass sie selbst bei Dunkelheit klare Fotos oder Videos (in Schwarzweiß) liefert. Bei ausreichendem Tageslicht werden Fotos und Videos natürlich in Farbe aufgenommen. Die **Core Trail Camera** ist für den Einsatz im Freien konzipiert und gegen Wasser und Schnee geschützt.

Ihre Wildkamera stammt aus der neuesten Generation der **Core Trail Cameras** von Bushnell.

Die **Core Trail Cameras** verfügen über viele neue oder verbesserte Funktionen, darunter:

- **Doppelsensor (nur in den Modellen 119975C und 119977C):** Die Kamera besitzt zwei Sensoren, um sowohl bei Tag als auch bei Nacht die beste Bildqualität zu erzielen.
 - **Automatische PIR-Empfindlichkeit:** Die Kamera überwacht die Umgebungstemperatur und stellt das Sensor- und Auslösesignal automatisch so ein, dass sie an heißen Tagen auf kleinere Temperaturschwankungen reagiert als an kalten Tagen.
 - **Herausnehmbarer Batterieträger:** Die Kamera besitzt einen herausnehmbaren Batterieträger, um die Batterien schnell austauschen zu können. Eine eingebaute Verriegelung sorgt dafür, dass das Batteriefach nicht aus der Kamera fällt.
 - **GPS-Geotag-Funktion:** Ermöglicht dem Benutzer die Eingabe des Längen- und Breitengrades der Kameraposition, die zusammen mit jeder Fotodatei gespeichert werden. Auf diese Weise können Google Earth, Picassa und andere Geotag-fähige Software automatisch den Standort der einzelnen Kameras auf einer Karte anzeigen, wenn mehrere Fotos auf einem Computer angesehen werden. Das ist besonders für diejenigen nützlich, die mehrere **Core Trail Cameras** platziert haben, um große oder weit voneinander entfernte Bereiche zu überwachen.
 - **Multi-Flash-Modus (LED-Leistung):** Verhindert beim Verwenden des Blitzes überbelichtete Nahaufnahmen.
 - **Hybridaufnahmemodus:** Mit dieser Funktion können bei jedem Auslösesignal sowohl Standbilder als auch Videos mit den jeweils höchsten Auflösungseinstellungen aufgenommen werden.
 - **Belichtungszeit bei Nacht:** Der Benutzer kann die Belichtungszeit für nachts aufgenommene Bilder auswählen, um die Helligkeit beziehungsweise die Bewegungsunschärfe einzustellen.
 - Der **Aufnahmemodus** kann so eingestellt werden, dass die Kamera nur tagsüber, nachts oder rund um die Uhr läuft.
 - **Voreinstellungen** für die Beobachtung von Fütterungen, Futterstellen und Waldwegen können ausgewählt werden.
 - Im **dynamischen Videomodus** wird über die gesamte Dauer einer Tieraktivität hinweg aufgenommen, damit das Video alle interessanten Momente zeigt.
- Hinzukommen viele weitere Funktionen wie Videos mit Ton, eine Auslösegeschwindigkeit von 0,2 Sekunden (mit 0,6 Sekunden zwischen den Standbildern), Breitbild- oder Vollbild-Standbilder, ein einstellbarer Kameraname sowie aktuelle Temperaturdaten und die derzeitige Mondphase.

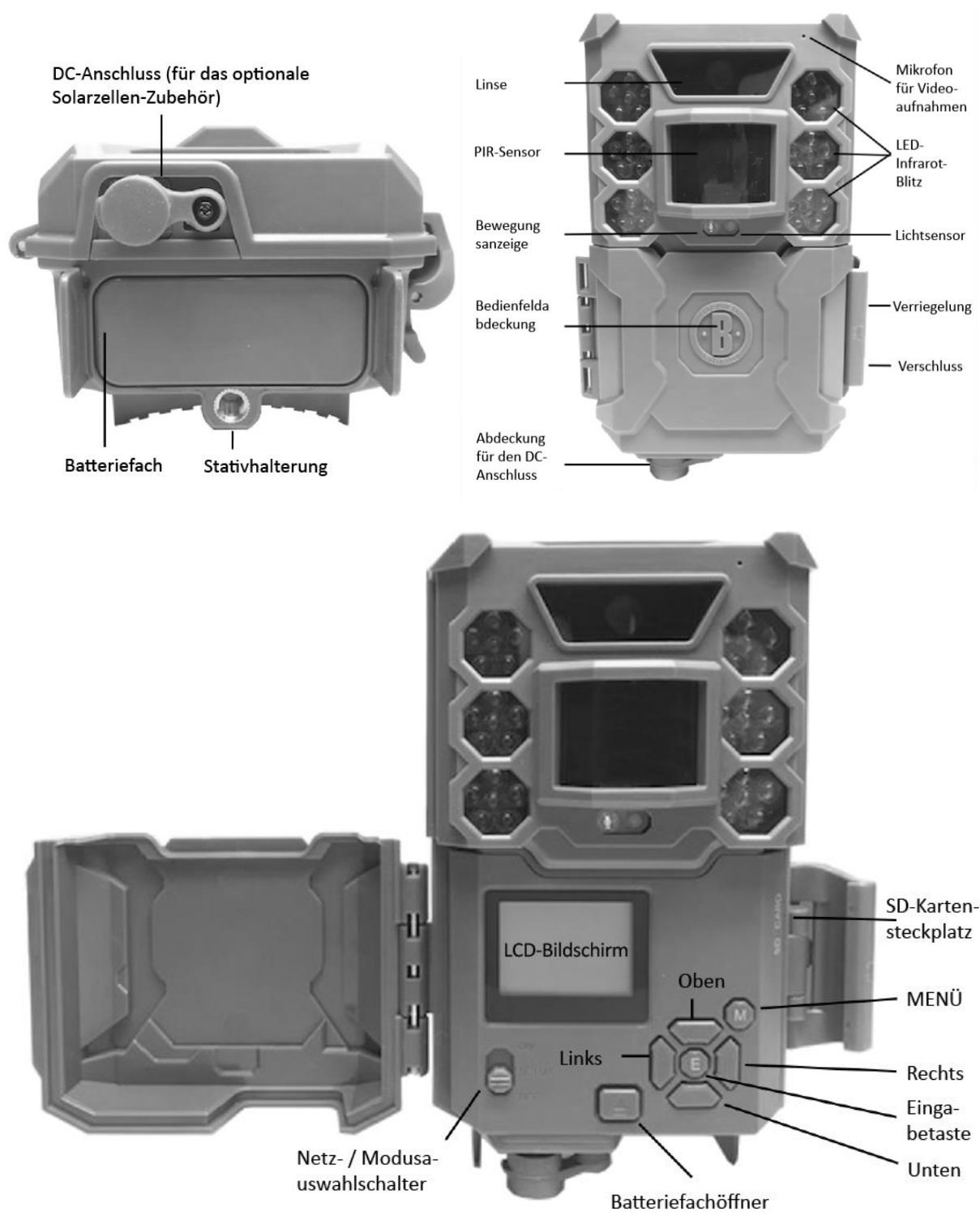
Anwendungen

Die **Core Trail Camera** kann als Wildkamera für die Jagd oder Aufklärung verwendet werden. Sie ist auch für die Überwachung geeignet.

ANSCHLÜSSE UND STEUERUNG

Die **Core Trail Camera** bietet die folgenden Anschlüsse für externe Geräte: einen USB-Anschluss, einen SD-Kartensteckplatz und einen Anschluss für die externe Gleichstromversorgung (S. 6, Abb. 1).

Ein 3-Wege-Netzschalter dient zur Auswahl der Hauptbetriebsmodi: **AUS**, **SETUP** und **AN** (S. 6, Abb. 2). Ein Steuerkreuz mit fünf Tasten wird hauptsächlich im **SETUP**-Modus zur Auswahl von Betriebsfunktionen und -parametern verwendet. Auf der nächsten Seite sehen Sie die Tastenbelegung: **OBEN**, **UNTEN**, **LINKS**, **RECHTS** und **EINGABETASTE**. Drei der Tasten können zusätzlich zu ihrer Hauptfunktion auch eine zweite Funktion (Verknüpfungen im **SETUP**-Modus) ausführen: Mit der **UNTEN**-Taste können Sie die Kamera in den Fotomodus (Kamerasymbol) und mit der **OBEN**-Taste in den Videomodus (Filmkamasymbol) versetzen. Die **RECHTS**-Taste dient auch als manueller Auslöser für die Kamera. Diese sekundären Funktionen werden durch Symbole oder Text über den Tasten angezeigt, wie Sie auf der nächsten Seite sehen werden.



EINSETZEN DER BATTERIEN UND DER SD-KARTE

Bevor Sie sich mit der **Core Trail Camera** vertraut machen können, müssen Sie zunächst mehrere Batterien und eine SD-Karte einsetzen. Obwohl dies ganz schnell geht, sind hier noch einige wichtige Hinweise zu den Batterien und SD-Karten. Nehmen Sie sich bitte die Zeit, die folgenden Anweisungen und Warnungen zu lesen:

Batterien einlegen

Nachdem Sie die Verriegelung auf der rechten Seite des Geräts geöffnet haben, sehen Sie, dass die **Core Trail Camera** über einen Batteriefachöffner verfügt. Drücken Sie diese Taste und das Batteriefach gleitet unten aus der Kamera. Nach etwa 1,5 cm wird es von einem Verriegelungssystem festgehalten, das verhindert, dass das Fach auf den Boden fällt. Wenden Sie beim Herausziehen des Fachs einfach etwas Druck an und die Verriegelung wird nachgeben. Das Batteriefach bietet Platz für sechs Batterien. Legen Sie alle sechs Batterien ein. Achten Sie darauf, dass Sie jede Batterie richtig herum einsetzen. (Das negative oder flache Ende muss die lange Feder berühren).

Bushnell empfiehlt, einen vollständigen Satz neuer AA-Lithium-Batterien (Marke Energizer®) oder AA-Alkali-Batterien zu verwenden. NiMh-Akkus werden nicht empfohlen, da die niedrigere Spannung zu Betriebsproblemen führen kann.



Sie können auch ein optionales Solarzellen-Zubehör an den Gleichstromanschluss auf der Unterseite der **Core Trail Camera** anschließen. (Modellnummer 119756C: Für weitere Informationen besuchen Sie bitte www.bushnell.com. Andere externe Netzteile sollten nicht verwendet werden, da die Kamera und / oder das Display damit möglicherweise nicht ordnungsgemäß funktionieren.) Wenn das Solarmodul angeschlossen ist und AA-Batterien eingelegt sind, wird die **Core Trail Camera** von dem wiederaufladbaren Lithium-Ionen-Akku des Solarmoduls betrieben, sofern eine ausreichende Spannung zur Verfügung steht. (Andernfalls nutzt die Kamera die eingelegten Batterien.) Der Akku des Solarmoduls versorgt die Kamera nachts mit Strom.

Einsetzen der SD-Karte

Legen Sie die SD-Karte während der Netzschalter der Kamera auf **AUS** steht ein, bevor Sie mit der Bedienung der Kamera fortfahren. Stecken Sie keine SD-Karte ein und entfernen Sie sie auch nicht, wenn sich der Netzschalter in der **AN**-Position befindet.

Die **Core Trail Camera** verwendet eine Standard-SD-Speicherkarte (Secure Digital), um Fotos (im JPG-Format) und / oder Videos (im MP4-Format) zu speichern. SD- und SDHC-Karten (High Capacity) werden bis zu einer Kapazität von maximal 32 GB unterstützt. Die Verwendung von Hochgeschwindigkeits-SD-Karten (SanDisk® SDHC der Klasse 6 oder höher) wird empfohlen, wenn Sie die Videoeinstellungen 1280 × 720 oder 1920 × 1080 verwenden möchten. Vergewissern Sie sich, dass sich der Schreibschutzschalter an der Seite der Karte in der „Aus“-Position befindet (und NICHT in der „Lock“-Position), bevor Sie die SD-Karte in den Kartensteckplatz einsetzen. Öffnen Sie dazu die vordere Abdeckung der Kamera. Im Folgenden wird beschrieben, wie Sie die SD-Karte einsetzen und entfernen:

- Legen Sie die SD-Karte mit dem Etikett nach oben in den Kartensteckplatz ein. *(siehe Abbildung unten)* Sie hören ein Klickgeräusch, wenn die Karte tief genug eingeschoben wurde. Wenn die falsche Seite der Karte nach oben zeigt, können Sie sie nicht ohne Kraftaufwand einsetzen. Es gibt nur eine Möglichkeit, SD-Karten richtig einzusetzen. Wenn die SD-Karte nicht korrekt eingelegt ist, zeigt das Gerät im SETUP-Modus kein SD-Kartensymbol auf dem Bildschirm an. *(Das SD-Kartensymbol, das nach dem Umschalten in den SETUP-Modus angezeigt wird, enthält ein „Schloss“-Symbol, falls die Karte ist gesperrt).* Es wird empfohlen, die SD-Karte mit der „Formatieren“-Funktion der **Core Trail Camera** zu formatieren, bevor Sie sie zum ersten Mal verwenden. Das gilt vor allem, wenn die Karte auch in anderen Geräten genutzt wurde. *(Weitere Einzelheiten finden Sie auf Seite 23 unter „Formatieren“.)*
- Um die SD-Karte herauszunehmen, drücken Sie die Karte vorsichtig hinein (versuchen Sie nicht, sie herauszuziehen, ohne sie zuerst hineinzuschieben). Die Karte wird aus dem Steckplatz freigegeben und kann nach dem Klicken herausgezogen werden. **WARNUNG:** *Vergewissern Sie sich, dass die Kamera ausgeschaltet ist, bevor Sie SD-Karten oder Batterien einsetzen oder entnehmen.*



VERWENDUNG DER Core Trail Camera

Wenn Sie die Batterien und eine SD-Karte ordnungsgemäß in Ihre **Core Trail Camera** eingelegt haben, können Sie sie einfach mit nach draußen nehmen, an einem Baum befestigen, einschalten und sie ihre Arbeit machen lassen. Sie werden einige großartige Fotos aufnehmen.

Wir empfehlen jedoch dringend, dass Sie sich zunächst mit dieser Anleitung und Ihrer Kamera etwas besser vertraut machen, bis Sie ein wenig mehr über die Funktionen des 3-Wege-Schalters und der Richtungstasten wissen. Sie sollten wahrscheinlich zumindest das Datum und die Uhrzeit einstellen, damit die Kamera diese Daten, falls Sie das möchten, zusammen mit den Aufnahmen abspeichern kann. Außerdem können Sie noch nachlesen, wie Sie die Kamera so einstellen, dass Videoclips anstelle von Fotos aufgenommen werden. Wenn Sie möchten, finden Sie hier auch einige Tipps zum Anbringen der Kamera an einem Baum.

DER AUS-, AN- UND SETUP-MODUS

Die **Core Trail Camera** verfügt über drei grundlegende Betriebsmodi:

- **AUS-Modus:** Der 3-Wege-Schalter befindet sich in der **AUS**-Position.
- **AN-Modus:** Der 3-Wege-Schalter befindet sich in der **AN**-Position. (Der Bildschirm ist ausgeschaltet).
- **SETUP-Modus:** Der 3-Wege-Schalter befindet sich in der **SETUP**-Position. (Der Bildschirm ist eingeschaltet).

AUS-MODUS

Der **AUS-Modus** ist der „sichere“ Modus, wenn Sie zum Beispiel die SD-Karte und die Batterien austauschen oder das Gerät transportieren möchten. Sie müssen den **AUS-Modus** auch verwenden, wenn Sie die Kamera später an den USB-Anschluss eines Computers anschließen, um Ihre Fotos oder Videos zu übertragen. Wenn Sie die Kamera nur aufbewahren und nicht verwenden, sollten Sie natürlich ebenfalls den **AUS-Modus** verwenden. Bitte beachten Sie, dass die **Core Trail Camera** auch im **AUS-Modus** sehr wenig Strom verbraucht. Daher sollten Sie die Batterien aus dem Batteriefach entnehmen, wenn die Kamera längere Zeit nicht benötigt wird.

AN-MODUS

Sie können die Kamera jederzeit einschalten, nachdem die Batterien und die SD-Karte eingelegt wurden. Wenn der Netzschalter in die oberste Position gebracht wird, wechselt die Kamera in den **AN-Modus** (Live-Modus). Die Bewegungsanzeige-LED (S. 6, „Frontansicht“) blinkt etwa 10 Sekunden lang rot. In diesem Zeitraum können Sie die vordere Abdeckung der **Core Trail Camera** schließen, verriegeln und den überwachten Bereich verlassen. Im **AN-Modus** ist keine manuelle Steuerung erforderlich oder möglich. (Die Bedientasten haben keine Funktion.) Die **Core Trail Camera** nimmt automatisch Fotos oder Videos (entsprechend den aktuellen Einstellungen) auf, wenn sie durch die Aktivitätserkennung des PIR-Sensors in dem von ihm abgedeckten Bereich ausgelöst wird.

Sie können den Netzschalter entweder direkt vom AUS- in den AN-Modus schieben oder zuerst in der SETUP-Position verbleiben, um eine oder mehrere Einstellungen zu ändern. Danach können Sie den Schalter auf die AN-Position stellen.

SETUP-MODUS

Im **SETUP-Modus** der **Core Trail Camera** können Sie mit Hilfe des eingebauten Bildschirms die Einstellungen überprüfen und ändern. Im SETUP-Menü können Sie die Foto- oder Videoauflösung und das Intervall zwischen den Fotos anpassen, das Hinzufügen der Uhrzeit zu den Fotos aktivieren und mehr. Wenn Sie den Netzschalter in die **SETUP**-Position bewegen, wird das Display eingeschaltet und ein Informationsbildschirm mit der Anzahl der aufgenommenen Bilder, dem Batteriestand, dem Foto- oder Videomodus und weiteren Informationen angezeigt. (siehe Abb. 3 auf der nächsten Seite)

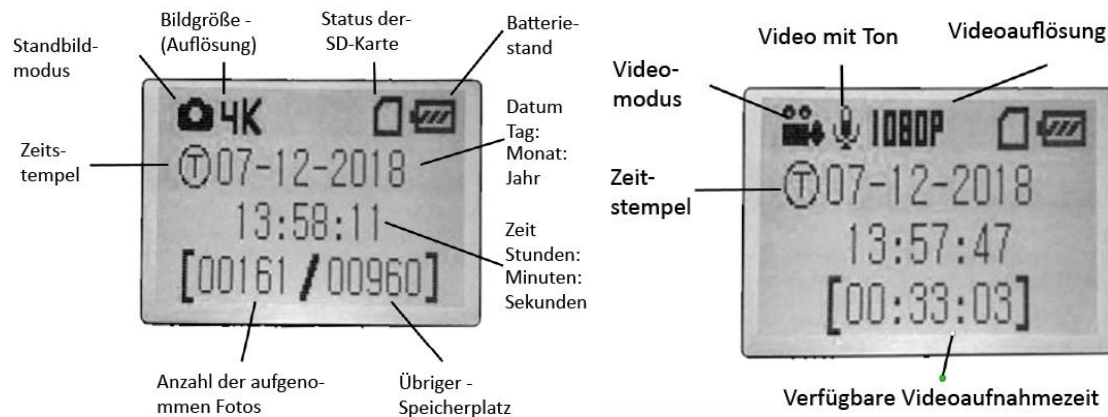
HINWEIS: Bewegen Sie den Netzschalter immer aus dem **AUS-** in den **SETUP-**Modus. Es ist möglich, dass es zu Fehlfunktionen kommt, wenn Sie aus dem **AN-** in den **SETUP-**Modus wechseln. Bewegen Sie in diesem Fall den Schalter einfach erneut vom **AUS-** in den **SETUP-**Modus.

Tastenverknüpfungen im SETUP-Modus

Wie zuvor im Abschnitt „Anschlüsse und Steuerung“ erwähnt, haben drei der Richtungstasten neben dem Bildschirm eine sekundäre Shortcut-Funktion, wenn sich die Kamera im **SETUP-**Modus befindet und der **MENÜ-**Knopf nicht gedrückt wurde:

- Drücken Sie die **OBEN-**Taste, um die Kamera schnell so einzustellen, dass sie Videos aufnimmt.
- Drücken Sie die **UNTEN-**Taste, um schnell in den Foto-Modus zu wechseln.
- Drücken Sie die **RECHTS-**Taste, um den Auslöser manuell zu betätigen. Diese Funktion ist nützlich, um die Kamera zu testen. Achten Sie darauf, dass Sie sich im **SETUP-**Modus befinden, drücken Sie die **RECHTS-** Taste und einige Sekunden später wird ein Foto oder Video (je nach Einstellung der Kamera) auf der SD-Karte (oder im internen Speicher, wenn keine Karte eingelegt ist) gespeichert. Der Zähler für die Anzahl der aufgenommenen Bilder links unten auf dem Bildschirm wird um eins erhöht. Wenn auf dem Display „SD GESPERRT“ angezeigt wird, sobald Sie die Aufnahmetaste drücken, schalten Sie die Kamera aus, entfernen Sie die SD-Karte und verschieben Sie den Sperrschalter.

Abb. 3: SETUP-Informationsbildschirm (für die Modelle 119936C / 119938C)



SO VERWENDEN SIE DAS SETUP-MENÜ, UM DIE EINSTELLUNGEN ÄNDERN

Mit Hilfe des **SETUP-**Modus können Sie die Einstellungen der Kameraparameter ändern, um Ihre **Core Trail Camera** ganz auf Ihre Bedürfnisse anzupassen. (Die verfügbaren Parameter hängen von den verwendeten Voreinstellungen ab. Auf Seite 18 finden Sie weitere Informationen.) Dazu rufen Sie das **SETUP-**Menü auf und nutzen die Tasten neben dem Display, um alle Parameter und ihre Einstellungen anzeigen zu lassen.

Ändern der Einstellungsparameter im SETUP-Modus

Es stehen eine Vielzahl von Optionen oder „Parametern“ zur Verfügung, mit denen Sie die **Core Trail Camera** an Ihre Anforderungen anpassen können. Um die Einstellung eines Parameters zu ändern, müssen Sie zuerst in den **SETUP-**Modus wechseln. Wenn Sie sich im **SETUP-**Modus befinden, können Sie

durch Drücken der **MENÜ**-Taste einen beliebigen Parameter auswählen und seine Einstellung ändern. Der Name des Parameters und seine aktuelle Einstellung wird auf dem Display angezeigt. Durch Drücken der **RECHTS**- oder **LINKS**-Taste blättern Sie zum nächsten oder vorherigen Parameter. (Dabei nutzen Sie die **RECHTS**-Taste, um zum nächsten Parameter zu gelangen, und **LINKS**-Taste, um zum vorherigen zurückzukehren.) Wenn Sie die **OEBN**- oder **UNTEN**-Taste drücken, können Sie eine andere Einstellung für den aktuell angezeigten Parameter auswählen. Sobald Sie Ihre neue Einstellung für einen Parameter ausgewählt haben, drücken Sie die **EINGABETASTE**, um die sie zu speichern (und sie damit tatsächlich zu ändern). Wenn Sie mit der Änderung der Einstellungen der Parameter fertig sind, drücken Sie erneut die **MENÜ**-Taste, um das **SETUP**-Menü zu verlassen. Die **MENÜ**-Taste kann auch gedrückt werden, wenn Sie das Ändern eines Parameters abbrechen möchten, nachdem ein neuer Wert ausgewählt und die **EINGABETASTE** noch nicht gedrückt wurde. Achten Sie nach dem Einstellen der Parameter darauf, dass sich der Schalter in der **AN**-Position befindet, um mit der eigentlichen Aufnahme von Fotos oder Videos zu beginnen. Es werden keine Bilder aufgenommen, wenn sich der Schalter in der **SETUP**-Position befindet. (*Außer Sie drücken nach dem Verlassen des Menüs die **RECHTS**-Taste zum Auslösen.*) Genauer gesagt, schaltet sich die Kamera automatisch nach wenigen Minuten aus, wenn keine Tasten gedrückt werden.

Anzeige der Einstellungsparameter

Die Einstellungen für jeden Parameter werden auf dem Bildschirm Ihrer **Core Trail Camera** angezeigt. Es wird jeweils nur eine Einstellung angezeigt, beginnend mit der aktuellen des ersten Parameters (S. 13, Abb. 4a). Verwenden Sie die **OEBN**- und **UNTEN**-Taste, um die gewünschte neue Einstellung anzeigen zu lassen (Abb. 4b), und drücken Sie dann die **EINGABETASTE** zum Ausführen. (Erst dadurch wird die tatsächliche Änderung dieser Einstellung durchgeführt). Wenn Sie die aktuelle Einstellung bestätigen möchten, drücken Sie die **RECHTS**-Taste, um zum nächsten Parameter zu gelangen, und dann die **LINKS**-Taste, um zum vorherigen Parameter zurückzukehren. Sie sollten nun den neu eingestellten Parameter sehen.

Abb. 4: Auswahl der Einstellungsparameter

Drücken Sie die MENÜ-Taste



(4A)

Drücken Sie die UNTEN-Taste



(4B)

Drücken Sie die EINGABETASTE

BEISPIELE: Einstellung einiger häufig genutzter Parameter

Im folgenden Abschnitt finden Sie Tabellen, in denen alle Parameter aus dem **SETUP**-Menü mit deren möglichen Einstellungen (oder Einstellungsbereichen) sowie eine detaillierte Beschreibung der Parameter und der Einstellungen aufgeführt sind. Wenn Sie den vorherigen Abschnitt mit Einzelheiten zur Auswahl der Parameter und zur Änderung deren Einstellungen gelesen haben, sollten Sie in der Lage sein, die entsprechenden Parameter direkt zu finden und die Kamera an Ihre Bedürfnisse anzupassen. Aber vielleicht gehen Sie lieber zuerst ein oder zwei Beispiele durch:

Um die Einstellung eines Parameters zu ändern, stellen Sie immer zuerst den Netzschalter in die **SETUP**-Position. Sobald sich das Display eingeschaltet hat, drücken Sie die **MENÜ**-Taste.

Der erste Parameter, den Sie sehen, wenn Sie das **SETUP**-Menü aufrufen, ist „Zeit einstellen“. Da die Zeitstempelfunktion standardmäßig aktiviert ist, wird die Kamera normalerweise Datum und Uhrzeit, so wie Sie sie eingestellt haben, auf jedem Foto oder Video anzeigen. Drücken Sie die **EINGABETASTE** und verwenden Sie die **OBEN-** / **UNTEN**-Taste, um die Stunde einzustellen. (24-Stunden-Format: „00“ = Mitternacht, „12“ = Nachmittag) Verwenden Sie dann die **RECHTS**-Taste, um zu den Minuten zu gelangen, und stellen Sie auch diese mit der **OBEN-** und **UNTEN**-Taste ein. Drücken Sie die **RECHTS**-Taste, um zur unteren Zeile zu gelangen, und stellen Sie Jahr, Monat und Tag auf dieselbe Weise ein. Wenn Sie fertig sind, drücken Sie die **EINGABETASTE**, um die neuen Einstellungen für die Uhrzeit und das Datum zu bestätigen.

Drücken Sie nun ein Mal die RECHTS-Taste, um einen anderen Parameter im Menü auszuwählen. Der nächste Parameter, der dann angezeigt wird, ist „Aufnahmemodus“. Um die Standardeinstellung von „Kamera“ (für Fotos) auf „Video“ (für die Aufnahme von Videoclips) umzustellen, drücken Sie die **UNTEN**-Taste. Drücken Sie die **EINGABETASTE**, um die neue Einstellung, die Sie für diesen Parameter ausgewählt haben, zu speichern.

Drücken Sie jetzt die RECHTS-Taste, um zu einem anderen Parameter im Menü zu gelangen. Durch dreimaliges Drücken gelangen Sie zur „Videoauflösung“. Versuchen Sie, mit der **OBEN**- und **UNTEN**-Taste durch den Einstellbereich zu scrollen, und drücken Sie dann die **EINGABETASTE**, um Ihre Einstellung für die Auflösung jedes Videoclips, den die Kamera aufnehmen wird, zu speichern. Durch mehrmaliges Drücken der **RECHTS**-Taste gelangen Sie zum Parameter „Standardeinstellungen“. Wählen Sie mit der **OBEN**- und **UNTEN**-Taste „Ausführen“ aus und drücken Sie die **EINGABETASTE**, um alle Parameter (einschließlich des Aufnahmemodus und der Videogröße, die Sie zuvor geändert haben) wieder auf die ursprünglichen Werkseinstellungen zurückzusetzen. Die Standardeinstellungen für jeden Parameter sind in den Tabellen zum **SETUP**-Menü auf den nächsten Seiten fett gedruckt.

Doppelter Field Scan mit Live-Trigger-Funktion

Field Scan ist eine revolutionäre neue Funktion der **Core Trail Camera** von Bushnell, mit der Sie Ihre Futterstellen oder Feldränder mit Zeitrafferaufnahmen oder Videos überwachen können. Wenn diese Funktion aktiviert wurde, nimmt die **Core Trail Camera** an jedem Tag während einem oder zwei Zeitabschnitten, die Sie eingestellt haben, automatisch in einem von Ihnen gewählten Intervall (z. B. alle fünf Minuten) ein Foto (oder einen Videoclip) auf, **ohne dass ein Tier die Kamera auslösen muss**. Dies hat den Vorteil, dass Sie dadurch die Möglichkeit haben, den Rand eines Felds zu überwachen, der 50 oder 150 Meter von der Kamera entfernt ist und sich außerhalb des Bereichs des PIR-Sensors befindet. Damit ist die effektive Reichweite viel größer als normalerweise, wenn die Kamera nur von Tieren in der Nähe ausgelöst werden kann. Diese Funktion ist für Jäger sehr nützlich, da sie so mit nur einer Kamera ein ganzes Feld überwachen können.

Wenn ein Tier in den vom PIR-Sensor abgedeckten Bereich tritt und die Kamera dadurch zwischen den von Ihnen eingestellten Field-Scan-Intervallen ausgelöst wird, nimmt sie basierend auf Ihren Einstellungen wie gewohnt ein Bild oder Video auf. So richten Sie Field Scan ein und verwenden diese Funktion: (Vergewissern Sie sich, dass Sie die aktuelle Uhrzeit zuerst unter „Zeit einstellen“ eingegeben haben, damit die Field-Scan-Aufnahme zu den richtigen Tageszeiten gestartet und gestoppt wird.)

1. Stellen Sie den Netzschalter auf **SETUP** und drücken Sie dann die **MENÜ**-Taste.

2. Durch wiederholtes Drücken der **RECHTS**-Taste im **SETUP**-Menü gelangen Sie zur Field-Scan-Funktion.

3. Drücken Sie die **OBEN**-Taste, um „An“ auszuwählen, und bestätigen Sie anschließend mit der **EINGABETASTE**. (*Schritt 1, S.17*) Ihnen wird „A“ angezeigt, das für den ersten Zeitabschnitt steht, den Sie definieren können. (Ein zweiter, späterer Zeitabschnitt namens „B“ kann auch eingestellt werden, wenn Sie möchten). Drücken Sie die **EINGABETASTE**. (*Schritt 2*) So gelangen Sie zu der Anzeige, wo Sie die Start- und Stoppzeiten einstellen können. Dadurch bestimmen Sie die Uhrzeit, zu der der erste Abschnitt der Field-Scan-Aufzeichnung jeden Tag beginnt und endet.

Sie können diese Zeiten auf die Minute genau einstellen, wobei über eine Minute bis hin zu 24 Stunden aufgenommen werden kann.

4. Stellen Sie die [Start]- und [Stopp]-Zeiten, beginnend mit der Startstunde, mit der **OBEN-** und **UNTEN-**Taste ein. (*Schritt 3*) Die Stundeneinstellung basiert auf dem 24-Stunden-Format, wobei „00“ Stunden = Mitternacht, „12“ Stunden = Mittag, „23“ Stunden = 23 Uhr usw. Um zur nächsten Einstellung zu gelangen, drücken Sie die **RECHTS-**Taste, und ändern Sie dann die Minute für die Startzeit mit der **OBEN-** und **UNTEN-**Taste. Fahren Sie dann mit der Stunden- und Minuteneinstellung für die Stoppzeit fort.

5. Nachdem Sie die Minute, bei der die Aufnahme gestoppt werden soll, eingestellt haben, drücken Sie die **EINGABETASTE**, um Ihre Einstellungen für den ersten Zeitabschnitt der Field-Scan-Aufnahme zu bestätigen. Wenn gewünscht, können Sie einen zweiten Zeitabschnitt erstellen, indem Sie die **UNTEN-**Taste drücken, um „B“ auszuwählen. (*Schritt 4*) Drücken Sie dann die **EINGABETASTE** und stellen Sie die Start- und Stoppzeiten für den Field-Scan-Abschnitt „B“ genauso ein wie für den Abschnitt „A“. (*Schritt 5*) Als Beispiel für die Verwendung dieser beiden verfügbaren Zeitabschnitte können Sie den Field Scan „A“ für die Morgenstunden von 6:00 Uhr bis 8:00 Uhr einrichten und „B“ so einstellen, dass die Bilder zwischen 17:30 Uhr und 19:00 Uhr aufgenommen werden. Von 08:00 Uhr bis 17:30 Uhr oder von 19:00 Uhr bis 06:00 Uhr werden dann keine Field-Scan-Aufnahmen durchgeführt.

6. Nachdem Sie die Start- und Stoppzeiten eingestellt haben, um den Field Scan „A“ und / oder „B“ zu definieren, drücken Sie die **EINGABETASTE** und dann die **OBEN-** oder **UNTEN-**Taste, um das „Intervall“ auszuwählen. Bestätigen Sie mit der **EINGABETASTE**. (*Schritt 6*) Mit der „Intervall“-Einstellung für die Field-Scan-Funktion können Sie bestimmen, wie oft ein Foto oder ein Videoclip innerhalb der Zeitabschnitte aufgenommen wird, die Sie mit den Einstellungen „Start“ und „Stopp“ definiert haben. Sie haben die Wahl zwischen 60 Minuten, 30 Minuten, 15 Minuten, 5 Minuten (*Standardeinstellung und auch das kürzeste Intervall im Videomodus*) oder 1 Minute (*nur im Fotomodus*). Verwenden Sie die **OBEN-** und **UNTEN-**Taste, um Ihre Einstellung auszuwählen, und drücken Sie dann die **EINGABETASTE**, um sie zu speichern. (*Schritt 7*) Beachten Sie, dass das „Intervall“ bei Videos unabhängig von der Länge der einzelnen Videoaufzeichnungen ist. Es gibt an, **wie oft** Videos aufgezeichnet werden, und nicht wie lange jedes Video dauert. 7. Hier ist ein Beispiel für die Aufnahmezeiten der Kamera mit den folgenden Field-Scan-Einstellungen:

Field Scan: An

Field Scan „A“:

[Start]: 6:00 Uhr

[Stopp]: 8:00 Uhr

Field Scan „B“:

[Start]: 17:30 Uhr

[Stopp]: 19:00 Uhr

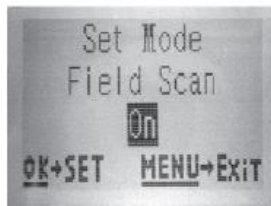
Intervall: 15 min

Hinweis: Vermeiden Sie „Überschneidungen“ von Field Scan „A“ und „B“ bei der Einstellung ihrer Start- und Stoppzeiten, um einen reibungslosen Funktionsablauf sicherzustellen. Außerdem: Wenn der Menüparameter „Kameramodus“ nur auf den Betrieb bei „Tag“ oder „Nacht“ eingestellt ist, sind auch Ihre Field-Scan-Einstellungen davon betroffen. Stellen Sie den Kameramodus auf „24 Stunden“ ein, wenn Ihr Field Scan sowohl tagsüber als auch nachts laufen soll.

Die oben genannten Einstellungen würden bedeuten, dass die Kamera alle 15 Minuten, beginnend ab 6:00 Uhr, ein Foto (oder Video, wenn die Kamera auf diesen Modus eingestellt wurde) aufnimmt, bis der Aufnahmeabschnitt „A“ um 8:00 Uhr stoppt. Später am Tag würde die Kamera zwischen 17:30 Uhr und

19:00 Uhr (während des Field Scans „B“) alle 15 Minuten wieder ein Foto oder Video aufnehmen. Am nächsten Tag würde die Kamera von 6:00 Uhr bis 8:00 Uhr und von 17:30 Uhr bis 19:00 Uhr alle 15 Minuten erneut ein Bild oder Video aufnehmen. Von 08:00 Uhr bis 17:30 Uhr oder von 19:00 Uhr bis 06:00 Uhr werden keine Field-Scan-Aufnahmen durchgeführt. Denken Sie daran, dass die Field-Scan-Aufnahme unabhängig von den normalen Auslösern durch Tieraktivitäten ist. Auch wenn keine Tiere den IR-Sensor-Bereich betreten, wird während der Zeitabschnitte immer alle 15 Minuten ein Bild oder Video aufgenommen.

Wenn ein Tier die Kamera zwischen den 15-Minuten-Intervallen auslöst, wird eine Aufnahme gestartet. Hinweis: Field-Scan-Einstellungen mit kurzen Intervallen und / oder langen Zeitabschnitten können die Batterielaufzeit verkürzen.



Schritt 1: Field-Scan-Modus einschalten



Schritt 2: Wählen Sie Field Scan "A" aus (Eingabetaste drücken)



Schritt 3: Stellen Sie den Start- & Stoppzeitpunkt für Field Scan "A" ein

Die Schritte 4 und 5 sind optional (nur erforderlich, wenn Sie einen zweiten Field-Scan-Aufnahmeblock mit anderen Start- und Stoppzeiten erstellen möchten.)



Schritt 4 (optional): Wählen Sie Field Scan "B" aus (Eingabetaste drücken)



Schritt 5 (optional): Stellen Sie den Start- & Stoppzeitpunkt für Field Scan "B" ein

Hinweis: Die Schritte 4 und 5 sind optional (nur erforderlich, wenn Sie einen zweiten Field-Scan-Aufnahmeblock mit anderen Start- und Stoppzeiten erstellen möchten.)



Schritt 6: Field-Scan-Intervall auswählen



Schritt 7: Field-Scan-Intervall einstellen [Step 7]-set Field Scan Interval

Das SETUP-Menü: alle Parameter und Einstellungen mit Beschreibungen

Parameter	Einstellungen (Standardeinstellungen sind fett gedruckt)	Beschreibung
Zeit einstellen	(Einstellen)	Drücken Sie die EINGABETASTE und verwenden Sie die OBEN- / UNTEN-Taste, um

		die Einstellung zu ändern, und die LINKS- / RECHTS-Taste, um zum nächsten Feld zu gelangen und die Stunden (<i>nur im 24-Stunden-Format</i> , „00“ = Mitternacht, „12“ = Mittag), Minuten und dann (in der unteren Reihe) das Jahr, den Monat und den Tag einzustellen.
Aufnahmemodus	Foto , Video	Legt fest, ob Standbilder oder Videoclips aufgenommen werden, wenn die Kamera ausgelöst wird.
Fotoauflösung (<i>betrifft nur Standbilder im Foto-Modus</i>)	3 MP , 8 MP, 24 MP / 30 MP (gilt nur für die Modelle 119975C / 119977C)	Damit wird die Auflösung der Fotos ausgewählt. Eine höhere Auflösung liefert mehr Pixel, sorgt jedoch für größere Dateien, die mehr Speicherplatz auf der SD-Karte verbrauchen, wodurch sie schneller voll wird.
Anzahl der Fotos (<i>betrifft nur Standbilder im Foto-Modus</i>)	1 Foto , 2 Fotos, 3 Fotos, 4 Fotos, 5 Fotos	Dadurch können Sie festlegen, wie viele Fotos im Foto-Modus nacheinander pro Auslöser aufgenommen werden. Diese Einstellung gilt auch für Fotos im Field-Scan-Modus (z. B. können alle 10 Minuten zwei Fotos aufgenommen werden). <i>Hinweis: Wenn das „Intervall“ auf 0,6 Sekunden eingestellt ist, wird unabhängig von Anzahl der Fotos nur ein Bild aufgenommen. Weitere Informationen finden Sie unter dem Intervall-Parameter.</i>
Videoauflösung (<i>betrifft nur Videoclips im Video-Modus</i>)	1920 × 1080 mit 60 fps (nur bei den Modellen 119975C / 119977C) 1920 × 1080 1280 × 720 640 × 360	Damit wählen Sie die Videoauflösung aus (in Pixel pro Bild). Eine höhere Auflösung sorgt zwar für eine bessere Videoqualität, jedoch auch für größere Dateien, die mehr Speicherplatz auf der SD-Karte verbrauchen, wodurch sie schneller voll wird. 640 × 360 bezeichnet die VGA-Auflösung im Breitbild-Format (16:9). Die höchste Auflösung liefert HD-Videos. Die Verwendung von Hochgeschwindigkeits-SD-Karten (SanDisk® SDHC der Klasse 6 oder höher) wird empfohlen, wenn Sie die Videoeinstellungen 1280 × 720 oder 1920 × 1080 verwenden möchten.
Videodauer (<i>betrifft nur Videoclips im Video-Modus</i>)	5 s bis 60 s (Standardeinstellung: 10 s) bei festgelegter Videolänge oder variabel im „Dynamisch“-Modus	Damit wird die Länge der Videoclips festgelegt. Die Standardeinstellung für die Länge der Videos beträgt 10 Sekunden pro Video und kann auf eine Zeit zwischen 5 s (5 Sekunden) und 60 s (1 Minute) geändert werden. Die maximale Videoaufnahmedauer

		<p>bei Nacht beträgt 15 Sekunden, wenn die LED-Leistung auf „Hoch“ eingestellt ist. Mit der "Dynamisch"-Einstellung können Sie eine variable Videolänge zulassen, die auf der Tieraktivität im PIR-Bereich, Ihrem Intervall (<i>siehe nächste Seite</i>) und den LED-Leistungseinstellungen basiert. Das funktioniert so:</p> <p>Mit einem Intervall von 0,6 Sekunden: Die Videolänge ist fest auf 10 Sekunden pro Auslöser eingestellt. Wenn die Aufnahme während der letzten 4 Sekunden eines Videos erneut ausgelöst wird, werden unmittelbar nach dem ersten Video weitere 10 Sekunden aufgenommen. Dies wird unbegrenzt fortgesetzt, solange die Batterien durchhalten, unabhängig von den Einstellungen der LED-Leistung und sowohl tagsüber als auch nachts.</p> <p>Mit einem Intervall von 2 Sekunden oder länger (tagsüber): Die Videolänge passt sich an und wird durch neue Auslöser bestimmt. Die Aufnahmedauer beträgt mindestens 5 Sekunden. Wenn die Kamera während der letzten 4 Sekunden dieses ersten Videos erneut ausgelöst wird, wird es um weitere 1–4 Sekunden verlängert (basierend auf dem Zeitpunkt, zu dem der neue Auslöser auftritt), wobei die Gesamtlänge des Videos maximal 2 Minuten beträgt, bevor ein neues Video erstellt wird.</p> <p>Mit einem Intervall von 2 Sekunden oder länger (für Nachtvideos mit hoher LED-Leistung): Wie tagsüber, aber die maximale Videodauer beträgt 15 Sekunden, bevor die Aufnahme endet und die Kamera ein neues Video startet, falls sie erneut ausgelöst wird.</p> <p>Mit einem Intervall von 2 Sekunden oder länger (für Nachtvideos mit schwacher oder mittlerer LED-Leistung): Wie tagsüber, aber die maximale Videodauer beträgt 60 Sekunden, bevor die Aufnahme endet und die Kamera ein neues Video startet, falls sie erneut ausgelöst wird.</p>
Intervall	<i>Die Standardeinstellung beträgt 10 s (Sekunden) mit</i>	Dadurch können Sie die Wartezeit zwischen den einzelnen Aufnahmen, ausgelöst durch

	<p>einem Einstellbereich von 0,5 s (eine halbe Sekunde) bis 60 min (Minuten). (60–1 min werden in Schritten von je einer Minute eingestellt, 59–3 s werden in Schritten von einer Sekunde eingestellt, gefolgt von der Einstellung für 0,6 s)</p>	<p>den PIR-Sensor, nachdem ein Tier zum ersten Mal erkannt wurde und sich weiterhin innerhalb der Reichweite des Sensors befindet, einstellen. Während dieser vom Benutzer festgelegten Zeit, in der die Auslöser ignoriert werden, nimmt die Kamera keine Fotos oder Videos auf. Dadurch wird verhindert, dass die SD-Karte wegen zu vieler unnötiger Bilder voll wird. Die Standardeinstellung beträgt 10 Sekunden, wenn der Parameter zum ersten Mal ausgewählt wird. Wenn Sie die Intervallzeit auf 0,6 Sekunden einstellen, wird die maximale Anzahl an Bildern aufgenommen. Einige Foto werden möglicherweise jedoch unscharf, wenn sich das Tier nachts zu nah an der Kamera befindet. Hinweis: Wenn Sie nach „0,6 s“ weiterscrollen, beginnt die Einstellung wieder bei „60 min“.</p>
Formatieren	<p>Ausführen (gefolgt von einem zusätzlichen Bestätigungsschritt)</p>	<p>Es werden alle gespeicherten Dateien auf einer Karte gelöscht, um sie für ihr Wiederverwendung vorzubereiten. Formatieren Sie eine Karte immer, wenn sie zuvor in anderen Geräten verwendet wurde. Warnung! Vergewissern Sie sich, dass Sie alle Dateien, die Sie behalten möchten, zuerst übertragen und gesichert haben! Drücken Sie zum Ausführen auf die EINGABETASTE. Um die Formatierung abubrechen, drücken Sie die MENÜ-Taste (oder wählen Sie NEIN aus und bestätigen Sie mit der EINGABETASTE).</p>
Zeitstempel	<p>An, aus</p>	<p>Wählen Sie „An“ aus, wenn Sie das Datum und die Uhrzeit (zu der das Bild aufgenommen wurde) auf jedes Foto oder Video hinzufügen möchten. Andererseits wählen Sie „Aus“. Hinweis: Die aktuelle Temperatur, die Mondphase und der Kameraname (vom Benutzer festgelegt) werden auch auf Ihre Fotos hinzugefügt.</p>
Videoton (betrifft nur Videoclips im Video-Modus)	<p>An, aus</p>	<p>Wählen Sie „An“ aus, um den Ton zusammen mit dem Video aufzunehmen, wenn sich die Kamera im Video-Modus befindet. (Die gespeicherten Dateien werden etwas größer.)</p>
Sensorempfindlichkeit	<p>Automatisch, Gering, Normal, Hoch</p>	<p>Wenn Sie „Automatisch“ ausgewählt haben, wird die Sensorempfindlichkeit automatisch und abhängig von der Umgebungstemperatur angepasst. Bei über 21 °C wird „Hoch“ ausgewählt, zwischen 7 °C und 21 °C</p>

		„Normal“ und bei unter 7 °C „Gering“. Bei der höchsten Empfindlichkeit wird die Empfindlichkeit des Sensors auf 70' gestellt, bei normaler Empfindlichkeit auf 100' und bei geringster Empfindlichkeit auf 40'.
Kameramodus	24 Stunden , Tag, Nacht	Mit dieser Funktion kann der Benutzer den Betrieb auf einen Tag- oder Nachtzeitraum einschränken. Ein Umgebungslichtsensor bestimmt "Tag" und "Nacht" automatisch.
Auf Standardeinstellungen zurücksetzen	Abbrechen , Ausführen	Wählen Sie "Ausführen" aus und betätigen Sie mit der EINGABETASTE, um alle Parameter auf die ursprünglichen Werkseinstellungen zurückzusetzen. Wenn die Kamera nicht mehr richtig funktioniert oder Sie eine Einstellung versehentlich geändert haben (aber nicht sicher sind, welche), werden alle Parameter auf ihre Werkseinstellungen zurückgesetzt.
Version	Keine	Zeigt die aktuelle Software-Version an.

VERWENDUNG DER EINGABE-BILDSCHIRME DES SETUP-MENÜS

Einstellung des Kameranamens

Nach Auswahl des Parameters „Kameraname“ sehen Sie nur eine einzige Einstellungsmöglichkeit namens „Eingabe“. Drücken Sie die **EINGABETASTE**.

Löschen Sie gegebenenfalls durch Drücken der **RECHTS**-Taste, bis das Rücktastensymbol () (zwischen den Buchstaben „A“ und „B“ und auch zwischen „j“ & „k“) erscheint, den vorherigen oder voreingestellten Namen und drücken Sie dann weiter die **EINGABETASTE**. Wählen Sie jedes gewünschte alphanumerische Zeichen mit der **LINKS**- und **RECHTS**-Taste aus und drücken Sie nach jedem Zeichen die **EINGABETASTE**, um es zu bestätigen. Wenn Sie mit der Benennung der Kamera fertig sind, drücken Sie die **MENÜ-Taste**, um den Namen zu speichern.

Koordinateneingabe

Nachdem Sie den Parameter „Koordinateneingabe“ ausgewählt haben, drücken Sie die **OBEN**- oder **UNTEN**-Taste, um die Einstellung „An“ auszuwählen, und drücken Sie dann die **EINGABETASTE**. Der Längen- und Breitengrad des Orts, an dem Sie die Kamera platzieren möchten, kann auf vielen Websites ermittelt werden, zum Beispiel: <http://itouchmap.com/latlong.html>. Sie können eine Straße oder eine Postleitzahl in der Nähe eingeben oder die verschiedenen Karten verwenden, um die ungefähre Position zu ermitteln. Das Format, das Sie für die Eingabe der Koordinaten im Menübildschirm der Core Trail Camera verwenden müssen, wird unten angezeigt:

Hinweis: Online werden Ihnen möglicherweise negative Breiten- oder Längengrade angezeigt. Diese bezeichnen die südlichen Breitengrade beziehungsweise die westlichen Längengrade. Standorte in den USA oder Kanada haben einen nördlichen (also positiven) Breitengrad und westlichen (also negativen) Längengrad.

MONTAGE und POSITIONIERUNG der Halterung für die Core Trail Camera

Nachdem Sie die Kameraeinstellungen zu Hause oder in Ihrem Fahrzeug auf Ihre persönlichen Bedürfnisse angepasst haben, können Sie das Gerät mit nach draußen nehmen und den Netzschalter auf

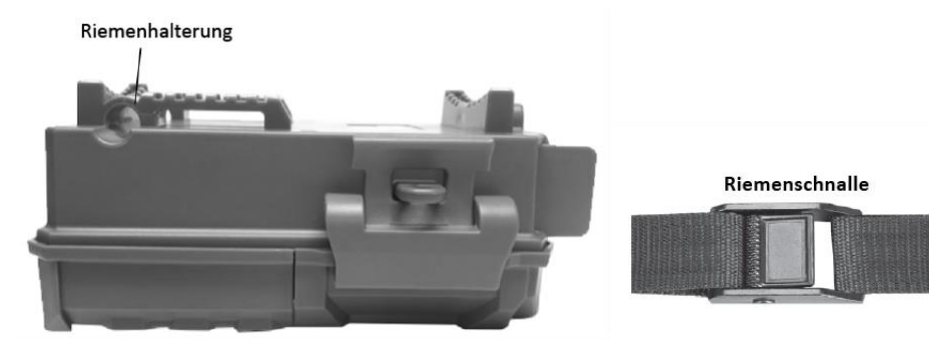
„AN“ stellen. Wenn Sie die **Core Trail Camera** für die Aufklärung oder andere Außenanwendungen einrichten, müssen Sie sicherstellen, dass die Kamera korrekt und sicher angebracht wird.

Wir empfehlen, die **Core Trail Camera** an einem stabilen Baum mit einem Durchmesser von ca. 15 cm zu montieren. Um eine optimale Bildqualität zu erhalten, sollte der Baum etwa 5 Meter vom zu überwachenden Ort entfernt sein, wobei die Kamera in einer Höhe von 1,5–2 m platziert werden sollte. Denken Sie auch daran, dass Sie nachts die besten Aufnahmen erzielen, wenn sich das Motiv innerhalb der idealen Blitzreichweite von 30 m (*für die Modelle 119936C / 1198838C*) und nicht näher als 3 m von der Kamera entfernt befindet.

Es gibt zwei Möglichkeiten, die **Core Trail Camera** zu montieren: mit dem mitgelieferten verstellbaren Gurt oder über die Stativhalterung.

So verwenden Sie den verstellbaren Gurt: *Abb. 5* zeigt, wie man den Gurt mit der **Core Trail Kamera** verbindet. Schieben Sie ein Ende des Gurtes durch die beiden Halterungen auf der Rückseite der **Core Trail Kamera** und führen Sie das Ende des Riemens durch die Schnalle. Befestigen Sie den Gurt sicher um den Baumstamm, indem Sie sein Ende so fest anziehen, dass er nicht mehr verrutschen kann. So verwenden Sie die Stativhalterung: Die Kamera besitzt am unteren Ende ein Gewinde, das für die Montage auf einem Stativ oder anderem Zubehör mit einem Standard-1/4-Zoll-20-Gang-UNC-Gewinde geeignet ist.

Abb. 5: Befestigung des Gurtes



Hinweis: Auf www.bushnell.com finden Sie weitere Informationen zu einem zusätzlichen Solarmodul (#119756C), das Sie für die Stromversorgung der Kamera verwenden können.

Überprüfung des Erfassungswinkels und der Reichweite

Um zu herauszufinden, ob die **Core Trail Camera** den von Ihnen gewählten Bereich effektiv überwachen kann, wird dieser Test empfohlen, um den Erfassungswinkel und die Reichweite der Sensoren zu überprüfen. So führen Sie den Test durch:

- Aktivieren Sie den **SETUP**-Modus der **Core Trail Camera**.
- Bewegen Sie sich an mehreren Stellen in dem Bereich, in dem Sie die Aktivität erwarten, vor der Kamera hin und her. Probieren Sie unterschiedliche Entfernungen und Winkel zur Kamera aus.
- Wenn die LED der Bewegungsanzeige blinkt, bedeutet dies, dass die Position erfasst werden kann. Wenn sie nicht blinkt, befindet sich diese Position außerhalb des Erfassungsbereichs. Mit diesem Test können Sie bei der Montierung und Ausrichtung der **Core Trail Camera** die beste Platzierung finden. Die Höhe, in der die Kamera angebracht wird, sollte auf die Größe des Tiers angepasst sein. Im Allgemeinen sind 1,5 bis 2 Meter in Ordnung.

Sie können mögliche Fehlauslöser aufgrund von Temperaturschwankungen und Bewegungsstörungen vor der Kamera vermeiden, indem Sie sie nicht auf eine Wärmequelle oder Äste und Sträucher in der Nähe richten (insbesondere an windigen Tagen).

Einschalten der Kamera

Sobald Sie in den **AN**-Modus wechseln, blinkt die Bewegungsanzeige-LED (rot) für ca. 10 Sekunden. Dadurch haben Sie Zeit, die vordere Abdeckung der **Core Trail Camera** zu schließen, zu verriegeln und sich von der Kamera zu entfernen. Während dieser Zeit blinkt die Bewegungsanzeige kontinuierlich rot. Nach dem Blinken ist der PIR-Sensor aktiv und jede Bewegung, die von ihm erkannt wird, löst die Aufnahme von Fotos oder Videos, so wie Sie es im **SETUP**-Menü eingestellt haben, aus. Vergewissern Sie sich, dass Sie die Beschreibungen der Parameter „Anzahl der Fotos“, „Intervall“ und „Sensorempfindlichkeit“ gelesen haben. Bitte beachten Sie, dass der PIR-Sensor stark auf die Umgebungstemperatur reagiert. Je größer der Temperaturunterschied zwischen der Umgebung und dem Tier ist, desto größer ist der mögliche Erfassungsbereich. Der durchschnittliche Erfassungsbereich beträgt etwa 18 m.

Überprüfen Sie bitte Folgendes, bevor Sie die Kamera unbeaufsichtigt zurücklassen:

- Sind die Batterien oder die Gleichstromversorgung richtig gepolt eingesetzt beziehungsweise richtig angeschlossen und liefern sie genügend Energie?
- Verfügt die SD-Karte über genügend Speicherplatz und ist ihr Schreibschutz (Schloss-Symbol) deaktiviert?
- Befindet sich der Netzschalter in der **AN**-Position? (Lassen Sie die Kamera nicht im **SETUP**-Modus zurück).

ANSEHEN UND LÖSCHEN DER FOTOS UND VIDEOS

Nachdem Sie Ihre **Core Trail Camera** eingerichtet, montiert und aktiviert haben, möchten Sie natürlich gerne später wiederkommen und die Bilder ansehen, die sie für Sie aufgenommen hat. Dafür gibt es verschiedene Möglichkeiten.

Bilder direkt von der SD-Karte aus anzeigen lassen

Dies ist die beliebteste Methode, um Bilder anzuzeigen. Da es nicht sehr praktisch ist, die Kamera abzunehmen und sie mit Ihrem Computer zu verbinden, ist es wahrscheinlich einfacher, nur die SD-Karte herauszunehmen. Wenn Sie die SD-Karte herausnehmen (und sie gegen eine neue, leere Karte austauschen, wenn Sie möchten) und sie mit nach Hause oder auf den Campingplatz nehmen, um die Bilder mit einem SD-Karten-Lesegerät (*im Lieferumfang enthalten*) und Ihrem Computer anzusehen (einige Computer und Fernseher haben auch ein eigenen SD-Kartenstreckplatz), können Sie die Kamera an ihrem Platz lassen, damit sie weitere Bilder aufnimmt. Sobald der Kartenleser angeschlossen ist, funktioniert er wie unten beschrieben. Bitte lesen Sie diesen Abschnitt, wenn Sie Ihre Dateien nicht finden können.

FEHLERBEHEBUNG UND HÄUFIGE FRAGEN

Die Kamera nimmt kontinuierlich Bilder ohne Auslöser auf.

Es kann zu sogenannten „Fehlauslösern“ kommen, wenn der PIR-Sensor denkt, dass sich vor dem Objektiv der Kamera etwas bewegt oder sich die Temperatur ändert, ohne dass ein Tier im Bild zu sehen ist. Diese „Fehlauslöser“ entstehen, wenn die Kamera in einer Umgebung aufgestellt wird, in der sich Äste vor der Kamera bewegen, oder sie in einem Bereich positioniert wird, in dem es starke Wärmequellen gibt und somit jede Windböe die Kamera auslösen könnte. Wenn die Kamera über Gewässern platziert wird, kann es ebenfalls zu diesem Problem kommen. In diesem Fall haben wir folgende Lösungsvorschläge für Sie:

1. Versuchen Sie, die Kamera in einen Bereich zu bewegen, der keine dieser Probleme aufweist, oder versuchen Sie, die Sensorempfindlichkeit in den Einstellungen zu ändern.
2. Wenn die Kamera weiterhin Bilder aufnimmt, ohne dass ein Tier zu sehen ist, versuchen Sie, die Kamera in einem Innenraum zu platzieren und auf eine Stelle zu richten, an der sich nichts bewegt.
3. Wenn das Problem weiterhin besteht, liegt es wahrscheinlich an einer Fehlfunktion der elektronischen Komponenten. In diesem Fall wenden Sie sich bitte an unseren Kundendienst, um die Kamera zur Reparatur zurückzusenden.

Die Batterielaufzeit ist kürzer als erwartet.

1. Die Batterielaufzeit hängt von der Betriebstemperatur und der Anzahl der Bilder ab, die im Laufe der Zeit aufgenommen wurden. Wenn Sie die Intervallzeit auf 0,6 Sekunden einstellen, verkürzen Sie damit die Batterielaufzeit. Normalerweise kann die **Core Trail Camera** mehrere tausend Bilder aufnehmen, bevor die Batterien leer sind.
2. Vergewissern Sie sich, dass Sie neue Alkali- oder Lithium-Batterien verwendet haben. Bushnell empfiehlt die Verwendung von Energizer® AA-Lithium-Batterien in Ihrer Core Trail Camera, um eine maximale Batterielaufzeit zu erreichen.
3. Vergewissern Sie sich, dass der Netzschalter auf „AN“ gestellt war und die Kamera nicht im „SETUP“-Modus zurückgelassen wurde.
4. Achten Sie darauf, dass Sie eine SD-Karte einer hochwertigen Marke in Ihrer Kamera verwenden. Bushnell empfiehlt SD-Karten der Marke SanDisk® mit einer Kapazität von bis zu 32 GB. *(Verwenden Sie Karten der Ultra®- oder Extreme®-Serie für HD-Videos.)*
Unserer Erfahrung nach können qualitativ schlechte SD-Karten manchmal die Batterielaufzeit Ihrer **Core Trail Camera** verkürzen.

Die Kamera bricht die Aufnahme ab oder nimmt keine Bilder auf.

1. Bitte achten Sie darauf, dass die SD-Karte nicht voll ist. Wenn die Karte voll ist, wird die Kamera keine weiteren Bilder aufnehmen.
2. Überprüfen Sie die Batterien, um sicherzustellen, dass es sich um neue Alkali- oder Lithium-AA-Batterien handelt. *Oben finden Sie weitere Hinweise zu einer kurzen Batterielaufzeit.*
3. Vergewissern Sie sich, dass sich der Netzschalter der Kamera in der „AN“- und nicht in der „AUS“- oder „SETUP“-Position befindet.
4. Achten Sie darauf, dass Sie eine qualitativ hochwertige SD-Karte in Ihrer Kamera verwenden. Bushnell empfiehlt SD-Karten der Marke SanDisk® mit einer Kapazität von bis zu 32 GB. *(Verwenden Sie Karten der Ultra®- oder Extreme®-Serie für HD-Videos.)*
5. Wenn sich der Schreibschutzschalter der SD-Karte in der Sperrposition befindet, nimmt die Kamera keine Bilder auf.
6. Wenn Sie die SD-Karte zuvor in einem anderen Gerät verwendet haben, sollten Sie versuchen, die Karte mit dem Parameter „Formatieren“ im **SETUP**-Modus zu formatieren. (Achten Sie darauf, dass Sie

zuerst alle wichtigen Dateien gesichert haben, da bei einer Formatierung alle gespeicherten Dateien gelöscht werden.) In einigen Fällen können andere Geräte die Formatierung der SD-Karte so verändern, dass sie mit der **Core Trail Camera** nicht ordnungsgemäß funktioniert.

Die Kamera lässt sich nicht einschalten

1. Vergewissern Sie sich, dass Sie 8 Batterien in das Batteriefach eingesetzt haben. Bushnell empfiehlt die Verwendung von Energizer® Lithium-AA-Batterien in Ihrer Core Trail Camera.
2. Achten Sie darauf, dass die Batterien richtig herum eingesetzt wurden. Kontaktieren Sie das negative (flache) Ende jeder Batterie immer mit der Feder des Batteriefachs in der Kamera.
3. Nachdem Sie den Schalter von „**AUS**“ auf „**SETUP**“ oder „**AN**“ umgestellt haben, achten Sie darauf, dass der Schalter richtig positioniert ist, um den entsprechenden Modus zu aktivieren. (Vermeiden Sie Positionen „zwischen“ zwei Modi.)
4. Bewegen Sie den Schalter nicht direkt von „**AN**“ auf „**SETUP**“. Schieben Sie ihn immer zuerst ganz nach unten auf „**AUS**“ und dann wieder zurück auf „**SETUP**“. **Qualitätsprobleme bei Fotos und / oder Videos**

1. *Fotos oder Videos bei Nacht sind zu dunkel.*
 - a. Überprüfen Sie das Batteriesymbol, um sicherzustellen, dass die Batterien voll sind. Der Blitz wird gegen Ende der Batterielaufzeit nicht mehr funktionieren.
 - b. Sie machen die besten Aufnahmen, wenn sich das Motiv innerhalb der idealen Blitzreichweite befindet: nicht weiter als 24 m (*bei den Modellen 119876C und 119877C*) oder 30 m (*bei den Modellen 119874C und 119875C*). Bei größeren Entfernungen könnten die Tiere zu dunkel erscheinen.
 - c. Bitte beachten Sie, dass, wenn der Parameter „Anzahl der Fotos“ auf mehr als „1 Foto“ eingestellt oder das Intervall sehr kurz ist, einige Bilder aufgrund des schnellen Wiederauslösens der Kamera dunkler erscheinen können als andere, da der Blitz weniger Zeit zum vollständigen Aufladen hat.
 - d. Stellen Sie sicher, dass die „LED-Leistung“ im SETUP-Menü auf „Hoch“ eingestellt ist, um die Aufnahmen so gut wie möglich zu belichten. Vergewissern Sie sich, dass die „Belichtungszeit bei Nacht“ im Menü auf „Automatisch“ und nicht auf „Kurz“ eingestellt ist, da kürzere Belichtungszeiten zu dunkleren Bildern führen können.
 - e. Das ARD (Antireflexionsgitter) kann zur Maximierung der Blitzleistung entfernt werden. Weitere Informationen finden Sie auf *Seite 29*.
2. *Fotos oder Videos, die tagsüber aufgenommen wurden, sind zu dunkel.*

Achten Sie darauf, dass die Kamera tagsüber nicht in die Sonne oder andere Lichtquellen gerichtet ist, da dies dazu führen kann, dass die automatische Belichtung dunklere Bilder liefert.
3. *Fotos oder Videos, die nachts aufgenommen wurden, sind zu hell.*

Wenn sich das Motiv in der Nähe der Kamera befindet (weniger als 3 m entfernt), stellen Sie den Parameter „LED-Leistung“ im SETUP-Menü auf „Mittel“ oder „Gering“. Wählen Sie ein Auslöseintervall von 2 s oder länger aus.
4. *Fotos oder Videos, die tagsüber aufgenommen wurden, sind zu hell.*

Vergewissern Sie sich, dass sich der Lichtsensor nicht im Schatten (von Baumblättern oder Ästen) befindet, während das Objektiv der Kamera tagsüber in einen hellen Bereich gerichtet ist.
5. *Sich bewegende Motive erscheinen unscharf*
 - a. In einigen Fällen mit schlechten Lichtverhältnissen und sich schnell bewegenden Motiven können die Auflösungseinstellungen „4K“ oder „HOCH“ möglicherweise nicht so gut funktionieren wie die „HD“-Einstellung.

- b. Wenn Sie mehrere Bilder aufgenommen haben, bei denen sich schnell bewegende Motive Streifen erzeugen, probieren Sie die „HD“-Einstellung aus.
- c. Verwenden Sie ein Intervall von 2 s oder länger, um die Bewegungsunschärfe zu reduzieren.
- d. Stellen Sie die „Belichtungszeit bei Nacht“ auf „Kurz“, um die Bewegungsunschärfe zu minimieren.

6. Roter, grüner oder blauer Farbstich

- a. Unter bestimmten Lichtverhältnissen kann sich der Sensor bei den Farben nicht entscheiden, was zu schlechten Farbbildern führt.
- b. Wenn Sie das öfter vorkommt, muss der Sensor möglicherweise ausgetauscht werden. Bitte kontaktieren Sie in diesem Fall den Bushnell-Kundendienst.

7. Die Videoclips sind kürzer als erwartet.

- a. Bitte achten Sie darauf, dass die SD-Karte nicht voll ist.
- b. Vergewissern Sie sich, dass Sie geladene Batterien eingelegt haben. Gegen Ende der Batterielaufzeit nimmt die Kamera möglicherweise kürzere Videoclips auf, um Strom zu sparen.
- c. Wenn die LED-Leistung auf „Hoch“ eingestellt ist und sich die Kamera im Videomodus befindet, beträgt die maximale Videolänge im "Dynamisch"-Modus bei Nacht 15 Sekunden, um eine mögliche Überhitzung der Batterien und / oder der elektronischen Komponenten zu vermeiden. Die maximale Videolänge, die mit Einstellung „Dynamisch“ tagsüber verfügbar ist, beträgt 2 Minuten.

Der Zeitstempel erscheint nicht auf den Bildern

Stellen Sie sicher, dass der Parameter „Zeitstempel“ auf „An“ gestellt wurde.

Auf den Fotos sind nicht die gewünschten Motive zu sehen

21. Überprüfen Sie die Einstellung des Parameters "Sensorempfindlichkeit" (PIR-Empfindlichkeit). Stellen Sie bei warmen Temperaturen die Sensorempfindlichkeit auf „Hoch“ und bei kälterem Wetter auf „Gering“. Bei wechselhaftem Wetter sollten Sie die Einstellung auf „Automatisch“ stellen.
22. Stellen Sie Ihre Kamera in einem Bereich auf, in dem sich keine Wärmequelle in ihrer Sichtlinie befindet.
23. In einigen Fällen führt die Positionierung der Kamera in der Nähe von Gewässern dazu, dass die Kamera Bilder ohne ein Motiv aufnimmt. Versuchen Sie, die Kamera so auszurichten, dass sie den Boden nicht aufnimmt.
24. Vermeiden Sie es, die Kamera an kleinen Bäumen zu befestigen, die von starken Winden bewegt werden können.
25. Entfernen Sie alle Äste, die sich direkt vor dem Objektiv der Kamera befinden.

Die LED des PIR-Sensors blinkt oder blinkt nicht.

1. Wenn sich die Kamera im „SETUP“-Modus befindet, blinkt eine spezielle LED an der Vorderseite der Kamera, wenn eine Bewegung erkannt wird. Dies dient nur zu Einrichtungszwecken und hilft dem Benutzer, die Kamera auszurichten.
2. Während der Aufnahmen blinkt die LED nicht, wenn die Kamera ein Bild macht, damit sie weiterhin getarnt bleibt.

Probleme mit dem Display

1. Der Bildschirm lässt sich einschalten, aber es ist kein Text zu sehen.

a. Nachdem Sie den Schalter von „AUS“ auf „SETUP“ oder „AN“ umgestellt haben, achten Sie darauf, dass er richtig positioniert wurde, um den entsprechenden Modus zu aktivieren. (Vermeiden Sie Positionen „zwischen“ zwei Modi.)

b. Bewegen Sie den Schalter nicht direkt von „AN“ auf „SETUP“. Schieben Sie ihn immer zuerst ganz nach unten auf „AUS“ und dann wieder zurück auf „SETUP“.

2. Der Bildschirm zeigt nach dem Umschalten von „SETUP“ auf „AN“ eine schwache schwarze Linie an. Der Bildschirm wird ausgeschaltet, wenn Sie den Schalter in die „AN“-Position schieben. In manchen Fällen erscheint diese schwarze Linie und verschwindet dann nach etwa 1 Sekunde. Dies ist normal und die Kamera funktioniert einwandfrei.

3. Der Bildschirm schaltet sich ein und gleich wieder aus.

Vergewissern Sie sich, dass Sie die SD-Karte richtig eingesetzt haben.

Die Kamera speichert die Einstellungen nicht.

Achten Sie darauf, dass Sie die Änderungen der Parameter, die Sie im SETUP-Modus vorgenommen haben, speichern, indem Sie danach die „**EINGABETASTE**“ drücken. Wenn Sie Ihre neue Einstellung nach der Änderung nicht speichern, verwendet die Kamera weiterhin die ursprüngliche Standardeinstellung für diesen Parameter.

Feuchtigkeit oder Ameisen in der Kamera

1. Um sicherzustellen, dass Feuchtigkeit oder Regen nicht in die Kamera gelangen, sollten Sie den DC-In-Stecker immer fest anschließen.

2. Ameisen können durch schwache elektronische Vibrationen angezogen werden und dringen durch alle Lücken im Gehäuse in die Kamera ein. Vergewissern Sie sich, dass der DC-In-Stecker fest angebracht ist.

Field Scan (Zeitraffer) funktioniert nicht richtig.

1. Achten Sie darauf, dass sich die Start- und Stoppzeiten von Field Scan „A“ und „B“ nicht überschneiden. (Stellten Sie zum Beispiel die Startzeit von „B“ nicht auf 8:00 Uhr ein, wenn die Stoppzeit von „A“ auf 10:00 Uhr steht.)

2. Bei der Verwendung des Field Scans im Videomodus beträgt die kleinste verfügbare Intervallzeit 5 Minuten, um eine mögliche Überhitzung der Batterien und elektronischen Komponenten zu vermeiden, die zu Funktionsstörungen oder Schäden an der Kamera führen kann. Im Standfotomodus kann ein Intervall von 1 Minute eingestellt werden.

WARNUNG! VERWENDEN SIE NICHT die Intervalleinstellung 0,6 s für Videos bei Nacht, wenn Sie eine Futterstelle oder ähnliche Umgebung aufnehmen. Es kann dazu führen, dass die LEDs über einen längeren Zeitraum weiter leuchten, was zu einer Überhitzung und Verkürzung der Lebensdauer der internen elektronischen Komponenten führen kann.

Mischen Sie keine alten und neuen Batterien.

Verwenden Sie keine unterschiedlichen Batterietypen in einem Set. Nutzen Sie entweder nur Lithium- oder nur Alkali-Batterien.

Wiederaufladbare Batterien werden nicht empfohlen.

TECHNISCHE DATEN

Maximale Auflösung

Modelle 119936C und 119938C: 6528 × 3672 (16:9)

Modelle 119975C und 119977C: 7296 × 4104 (16:9)

Blende: F = 2,8

FOV = 38°

IR-Blitzreichweite

Einstellbar (Gering/Mittel/Hoch), über 30 m (bei den Modellen 119975C und 119977C), über 30 m (bei den Modellen 119936C und 119938C)

Anzeigebildschirm

Schwarzweiß-Display (bei den Modellen 119936C und 119938C): 21 × 30 mm (1,5 Zoll)

Farbdisplay (nur bei den Modellen 119975C und 119977C): 2,4 Zoll

Speicherkarte

SD- oder SDHC-Karten mit einer maximalen Kapazität von 32 GB (*Klasse 6 oder höher für HD-Videos mit einer Auflösung von 1280 × 720 oder 1920 × 1080*)

Bildauflösung (in Pixeln) 3 MP = 2304 × 1296, 8 MP = 3840 × 2160, 24 MP = 6528 × 3672

Videoauflösung

640 × 360p, 1280 × 720p, 1920 × 1080p mit 30 fps (tagsüber) und 15 fps (bei Nacht)

1280 × 720p, 1920 × 1080p mit 30 fps (tagsüber) und 30 fps (bei Nacht), 1920 × 1080p mit 60 fps (tagsüber) und 60 fps (bei Nacht)

PIR-Empfindlichkeit mit 4 Einstellungsmöglichkeiten: Gering, Normal, Hoch, Automatisch

Betriebsmodi

Benutzerdefinierbar: 24 Stunden, nur tagsüber oder nur nachts (basierend auf der Umgebungshelligkeit)

Reaktionszeit von 0,2 Sekunden (für Fotos) und 1,0 Sekunden (für Videos)

Auslöseintervall programmierbar von 0,6 s bis 60 min

Anzahl der Fotos: einstellbar von 1 bis 3 Fotos

Videolänge

Videos mit fester Länge können von 5 s bis 60 s eingestellt werden. Auf Seite 21 finden Sie Details zur dynamischen Videolänge (basierend auf Auslösern, variabel in den Intervall- und LED-Einstellungen).

Für die Stromversorgung werden 8 AA-Batterien empfohlen. 4 AA-Batterien dienen als Notstromversorgung.

Standby-Strom weniger als 0,08 mA (weniger als 7 mAh pro Tag)

Belichtungszeit bei Nacht

Vom Nutzer auf „Automatisch“ und „Kurz“ einstellbar. Betrifft nur Fotos und Videos bei Nacht.

Anschlüsse: USB, SD-Kartensteckplatz, DC-In-Stecker (12 V)

Befestigungsgurt

Betriebstemperatur: -20 °C bis 60 °C (Aufbewahrungstemperatur: -30 °C bis 70 °C)

Empfohlene Luftfeuchtigkeit während des Betriebs: 5 % bis 90 %

ZWEI JAHR GARANTIE

Auf Ihr Bushnell®-Produkt wird eine Garantie von zwei Jahren ab Kaufdatum gegen Material- und Verarbeitungsfehler gewährt. Im Falle eines Defekts in dieser Garantiezeit erstatten oder ersetzen wir das Produkt.

Diese Garantie deckt keine Schäden ab, die durch unsachgemäße Verwendung und Installation oder durch die Reparatur einer anderen Person, die nicht zur autorisierten Serviceabteilung von Bushnell gehört, verursacht wurden.

Jede Zusendung im Rahmen dieser Garantie muss von die unten aufgeführten Punkte enthalten:

- 10,00 € (Scheck oder Bargeld) für die Liefer- und Bearbeitungskosten.
- Name, Adresse und Telefonnummer für die Rücksendung des Produkts.
- eine Beschreibung des Defekts.
- eine Kopie Ihres datierten Kaufnachweises.

Senden Sie kein Zubehör (Batterien, SD-Karten, Kabel) mit, sondern nur das betroffene Produkt. Das Produkt sollte sich in einem gut verpacken, stabilen Versandkarton befinden, um Transportschäden zu vermeiden, und an die unten aufgeführte Adresse versandt werden:

Wenn Sie das Produkt in den USA oder Kanada gekauft haben, senden Sie es an

Bushnell Outdoor Products Bushnell Outdoor Products

Attn.: Repairs Attn.: Repairs

9200 Cody 140 Great Gulf Drive, Unit # B

Overland Park, Kansas 66214 Vaughan, Ontario L4K 5W5

Spezifikationen und Designs können ohne Vorankündigung oder Verpflichtungen des Herstellers geändert werden.

Erklärung zur Einhaltung der FCC-Bestimmungen:

FCC-BESTIMMUNGEN

Änderungen, die nicht ausdrücklich von Bushnell® genehmigt wurden, können dazu führen, dass der Benutzer die Nutzungsbefugnis für das Gerät verliert.

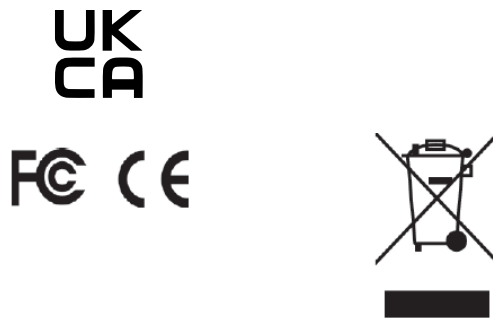
Hinweis: Dieses Gerät wurde getestet und erfüllt die Grenzwerte für ein digitales Gerät der Klasse B gemäß Teil 15 der FCC-Vorschriften. Diese Grenzwerte sollen einen angemessenen Schutz vor schädlichen Störungen bei der privaten Anwendung bieten. Dieses Gerät erzeugt und nutzt Radiofrequenzen und kann diese abstrahlen. Wenn es nicht gemäß den Anweisungen installiert und verwendet wird, stört es möglicherweise die Funkkommunikation. Es gibt jedoch keine Garantie dafür, dass bei einer bestimmten Installation keine Störungen auftreten werden. Wenn dieses Gerät den

Radio- oder Fernsehempfang stört, was durch Aus- und Einschalten des Geräts festgestellt werden kann, wird dem Benutzer empfohlen, die Störung durch eine oder mehrere der folgenden Maßnahmen zu beheben:

- Richten Sie die Empfangsantenne neu aus oder positionieren Sie sie neu.
- Vergrößern Sie den Abstand zwischen dem Gerät und Empfänger.
- Schließen Sie das Gerät nicht an den Stromkreis an, an den der Empfänger angeschlossen ist.
- Wenden Sie sich an den Händler oder einen erfahrenen Radio- oder Fernstechniker.

Um die Grenzwerte für ein digitales Gerät gemäß Unterabschnitt B von Teil 15 der FCC-Vorschriften einzuhalten, muss ein abgeschirmtes Verbindungskabel mit dem Equipment verwendet werden. Spezifikationen und Designs können ohne Vorankündigung oder Verpflichtungen des Herstellers geändert werden.

Dieses Gerät erfüllt Teil 15 der FCC-Vorschriften. Der Betrieb unterliegt den folgenden beiden Bedingungen: (1) Dieses Gerät sollte keine schädlichen Störungen verursachen, und (2) dieses Gerät muss alle empfangenen Störungen tolerieren können, auch wenn die Störungen, zu Fehlfunktionen führen. Bitte beachten Sie, dass Änderungen oder Modifikationen, die nicht ausdrücklich von der für die Einhaltung der Vorschriften verantwortlichen Partei genehmigt wurden, die Nutzungsbefugnis des Benutzers für das Gerät aufheben können.



Entsorgung von elektrischen und elektronischen Geräten
*(Gilt in der EU und anderen europäischen Ländern
mit Mülltrennungssystemen)*

Dieses Gerät enthält elektrische und / oder elektronische Teile und darf daher nicht als normaler Hausmüll entsorgt werden. Stattdessen sollte es an den entsprechenden Sammelstellen abgegeben werden. Das ist für Sie kostenlos.

Wenn das Gerät austauschbare (wiederaufladbare) Batterien enthält, müssen diese vorab entfernt und ggf. entsprechend den geltenden Vorschriften entsorgt werden. (Weitere Informationen finden Sie in der Anleitung dieses Gerätes.)

Näheres zu diesem Thema erfahren Sie bei Ihrer Gemeindeverwaltung, Ihrem örtlichen Entsorgungsunternehmen oder in dem Geschäft, in dem Sie dieses Gerät gekauft haben.

Bei weiteren Fragen wenden Sie sich bitte an:
Bushnell Outdoor Products

9200 Cody, Overland Park, Kansas 66214
(800) 423-3537 • www.bushnell.com

©2020 Bushnell Outdoor Products